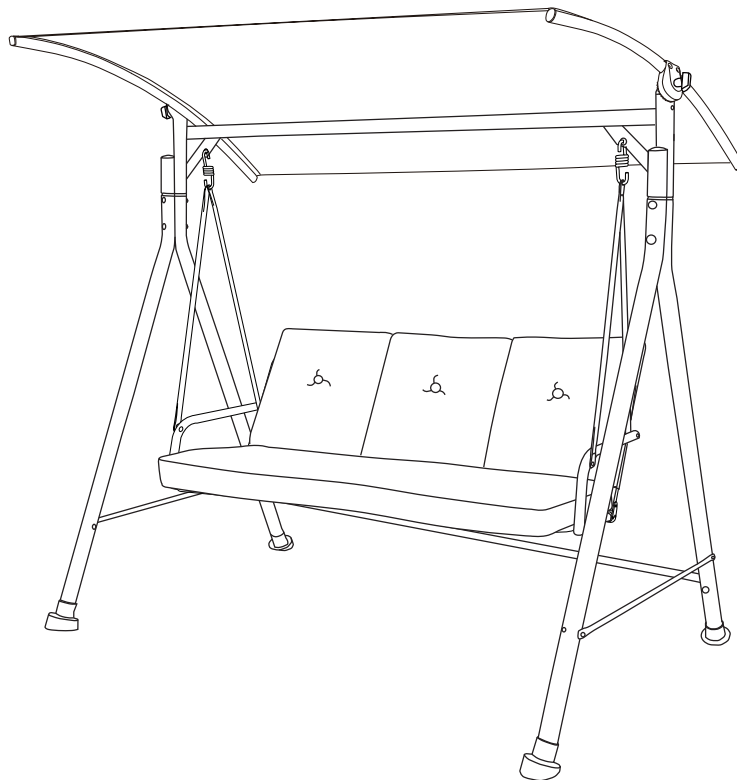


HOMEBASE

ROWLY 3 SEATER SWING SET

Power-coated steel frame
H170 x W182.5 x D121cm



INSTRUCTION MANUAL

IMPORTANT: Please read these instructions before using the product and retain for future use.
HHGL Limited, MK9 1BA; HHGL (ROI) Limited, D02 X576

SAFETY & CARE ADVICE

Please read these instructions fully before starting assembly.

- Check you have all the components and tools listed on page 3.
- Remove all fittings from the plastic bags and separate them into their groups.
- Keep children and animals away from the work area; small parts could pose a choking hazard if swallowed.
- Make sure you have enough space to lay out the parts before starting.
- Do not stand or put weight on the component parts or the product, as this could cause damage.
- Assemble the item as close to its final position as possible.
- Assemble on a soft, level surface to avoid damaging the unit or your floor.
- Parts of the assembly will be easier with two people.
- We do not recommend the use of power drills/drivers for inserting screws, as this could damage the unit. Only use hand screwdrivers.
- Dispose of all packaging carefully and responsibly.
- Domestic use only.
- Maximum safe weight of use is 110kg (per seat).
- We recommend that you cover your garden furniture when it's not in use and that it is stored in a garage or shed throughout the winter months. Please ensure the furniture is dry before storing.











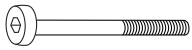
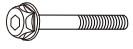
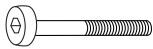



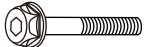






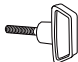




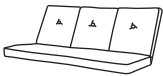
IMPORTANT INFORMATION

- Regularly check all the bolts, screws and fastenings are secure.
- Do not use this swing unless all bolts and screws are firmly secure.
- Only clean using a damp cloth and mild detergent; do not use bleach or abrasive cleaners.
- This product should not be discarded with household waste. Take it to your local authority waste disposal centre.

COMPONENTS

Please check you have all components listed below. If you have any missing or damaged components, please contact your local store.

1		TOP CROSS BEAM W/ADJUSTABLE TEETH	x 1
2		FRONT UPRIGHT SUPPORT	x 2
3		REAR UPRIGHT SUPPORT	x 2
4		LATERAL CROSS BRACE	x 2
5		REAR CROSS BRACE	x 1
6		SWING ARM	x 2
7		SWING ARM TUBE	x 4
8		SEAT ASSEMBLY	x 1
9		SUSPENSION SPRING	x 2
10		LEG CAP	x 4
11		BOLT M8*105	x 4
12		BOLT M6*60	x 6
13		BOLT M8*75	x 2
14		BOLT M6*75	x 2

15		BOLT M6*45	x 2
16		SCREW ST4.2*16	x 4
17		WASHER d8.5*D17*1.6	x 12
18		WASHER d6.5*D16*1.2	x 20
19		PLASTIC NUT M8*P1.25	x 6
20		PLASTIC NUT M6*P1.0	x 10
21		CANOPY/FRAME CONNECTOR	x 2
22		PLASTIC SCREW	x 2
23		NUT WRENCH 13&17MM	x 1
24		HEX. KEY WRENCH 4MM	x 1
25		HEX. KEY WRENCH 6MM	x 1
26		CANOPY	x 1
27		CUSHION	x 1

ASSEMBLY INSTRUCTIONS

NOTE: When fastening with nuts and bolts, always use a washer (17 or 18) between the tube and the bolt or the tube and the nut.

Step 1:

Fasten the front and rear upright supports (2 and 3) at the top by using bolts (11), washers (17), and plastic nuts (19). Repeat the same procedure for both sides. Keep the bolts loose. See Fig. A – Step 1.

Step 2:

At both ends, insert the assembled upright supports (2 and 3) into the top cross beam w/ adjustable teeth (1). Tighten all of the plastic nuts and bolts now. See Fig. A – Step 2.

Step 3:

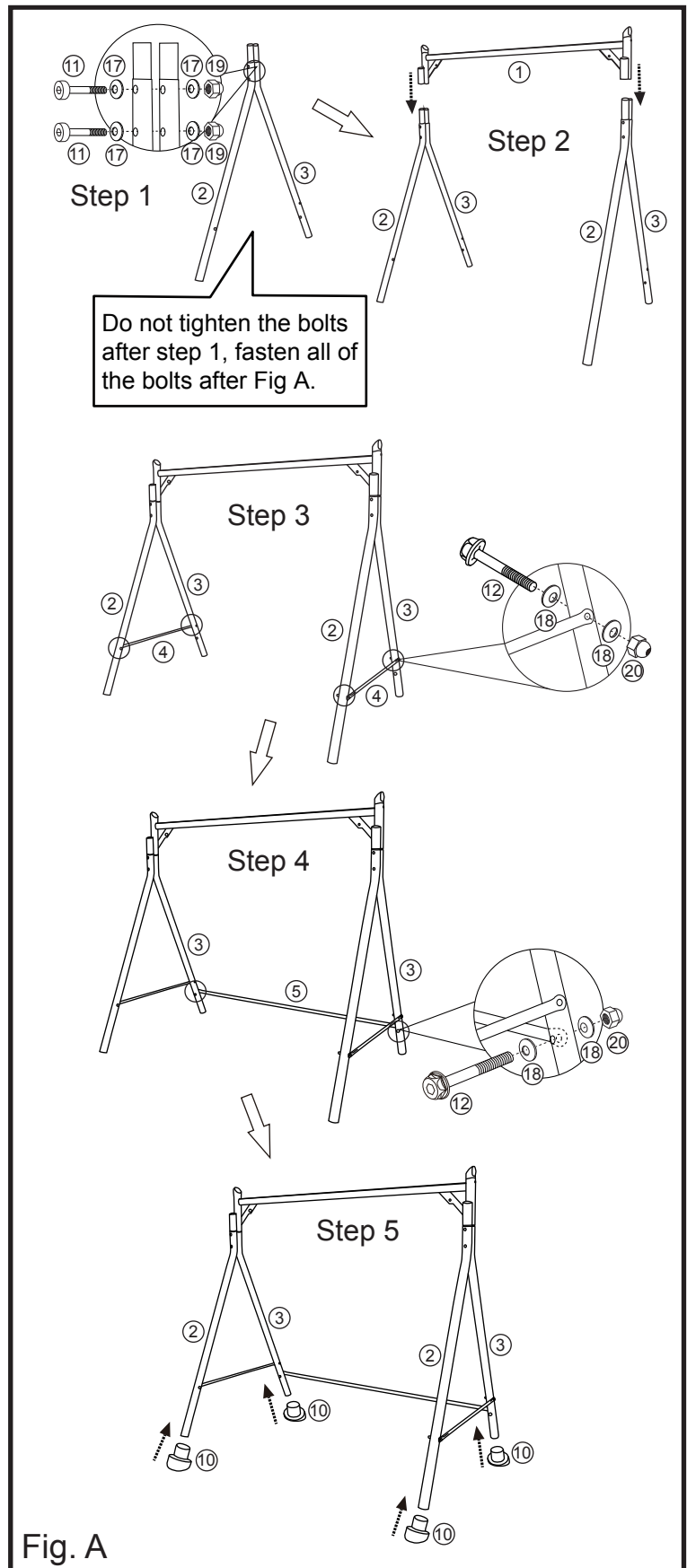
Fasten the lateral cross braces (4) to the upright supports (2 and 3) by using bolts (12), washers (18), and plastic nuts (20). Repeat the same procedure for both sides. See Fig. A – Step 3.

Step 4:

Fasten the rear cross brace (5) to the rear upright supports (3) by using bolts (12), washers (18), and plastic nuts (20). Tighten all of the nuts and bolts. See Fig. A – Step 4.

Step 5:

Insert the leg caps (10) into all of the base feet. See Fig. A – Step 5.



Step 6:

Open the seat assembly (8) and fasten a swing arm tube (7) and a swing arm (6) to the seat back by using bolt (14), washers (18), and plastic nut (20). Repeat the same procedure for both sides. Fasten another swing arm tube (7) to the swing arm (6) at the front bend by using bolt (15), washers (18), and plastic nut (20). Repeat the same procedure for both sides. Fasten the other end of the swing arm (6) to the front of the seat assembly (8) by using bolt (13), washers (17), and plastic nut (19). Repeat the same procedure for both sides. See Fig. B.

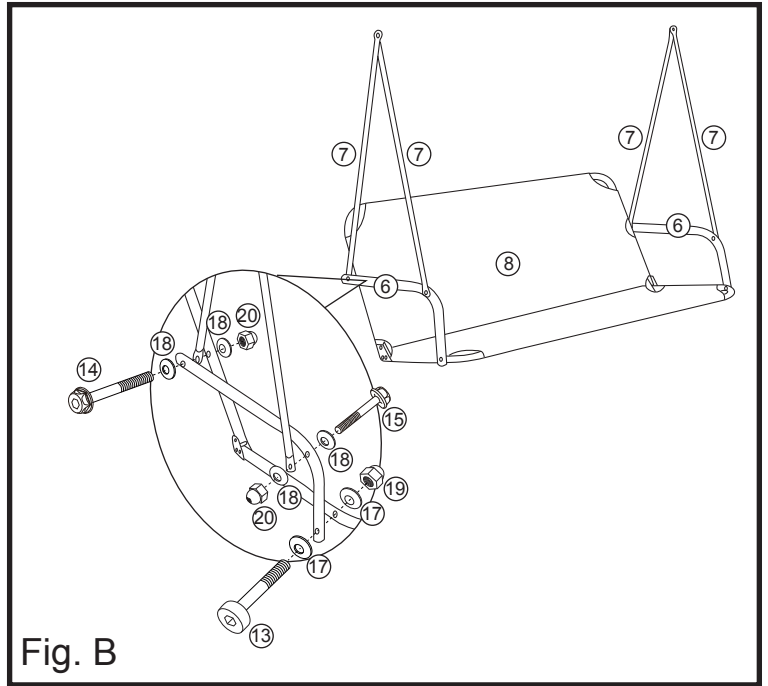


Fig. B

Step 7:

Hook the suspension springs (9) into the top of both swing arm tubes (7). Repeat the same procedure for both sides. See Fig. C.

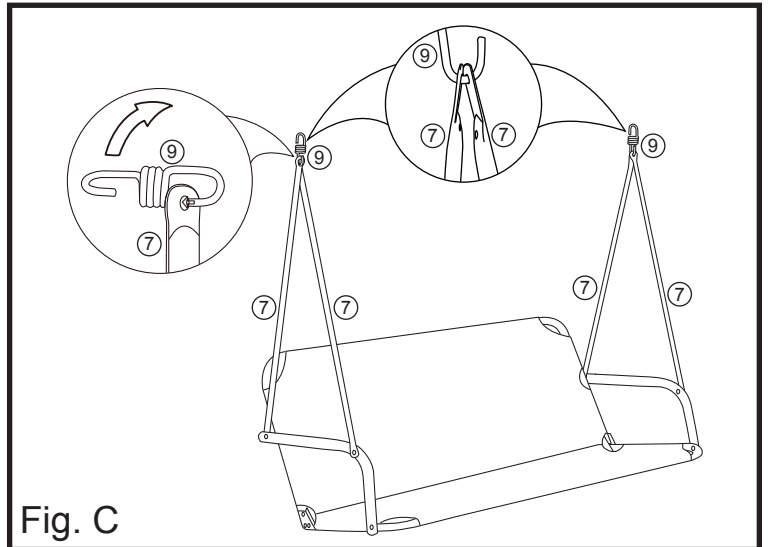


Fig. C

Step 8:

Hang the opposite ends of the suspension springs (9) into the holes located on the angled braces of the top cross beam w/adjustable teeth (1). Repeat the same procedure for both sides. See Fig. D.

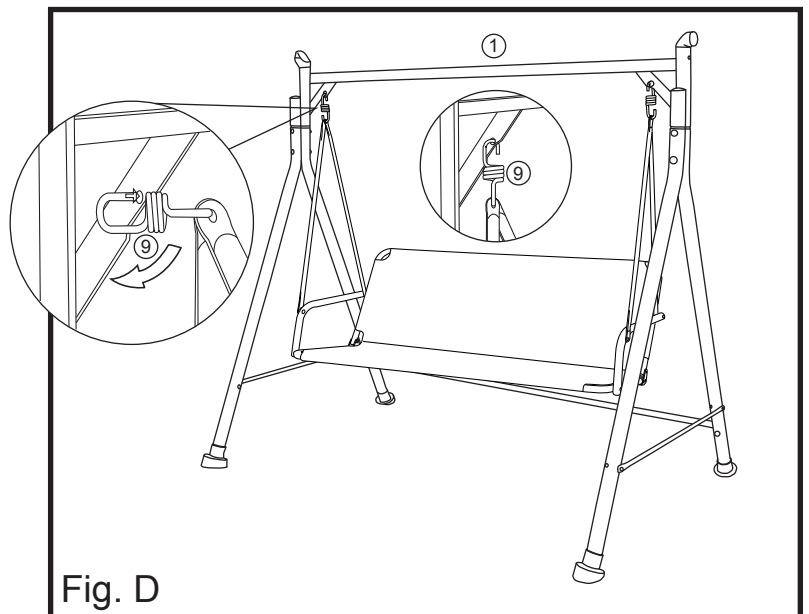


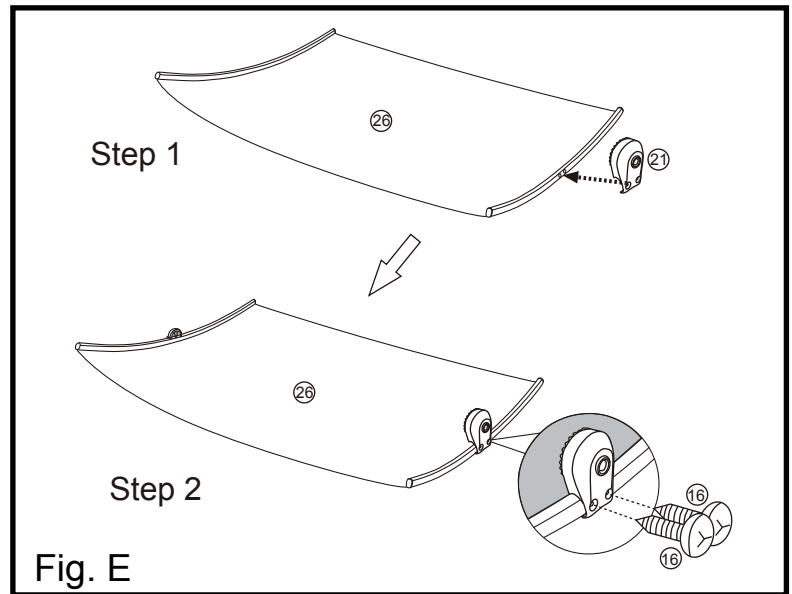
Fig. D

Warning:

Make sure that both ends of the suspension springs (9) go completely through the holes on the top cross beam w/adjustable teeth (1) and the swing arm tubes (7).

Step 9:

Slide the canopy/frame connectors (21) into the canopy (26). Fasten them together by using screws (16) in the pre-drilled holes. Make sure that the teeth of the canopy/frame connectors are facing toward the inside of the frame. See Fig. E – Step 1 and Step 2.

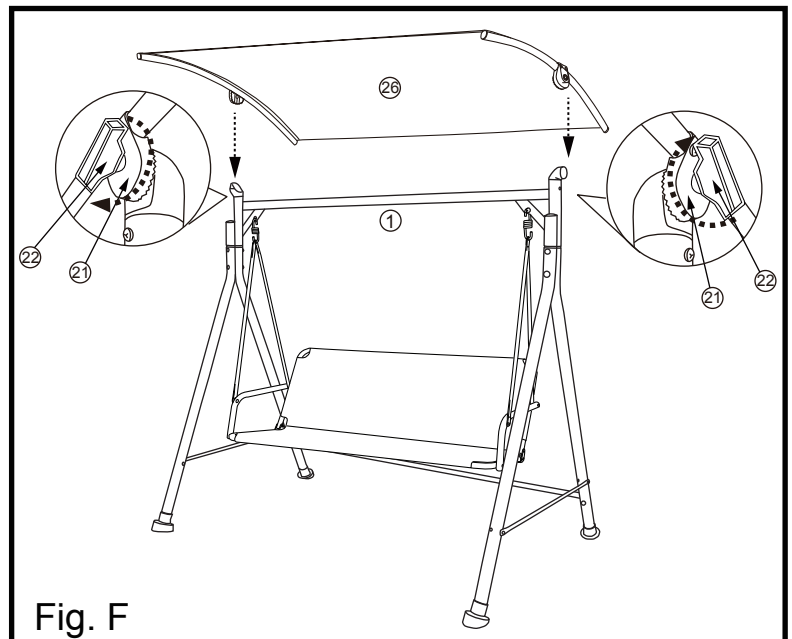


Step 10:

Fasten the canopy/frame connectors (21) on the canopy assembly to the adjustable teeth on both sides of the top cross beam (1) by using plastic screws (22). See Fig. F.

Step 11:

Re-check and re-tighten all nuts and bolts to assure stability.



Step 12:

Place the cushion (27) onto the seat assembly (8). See Fig. G.

Note:

To avoid danger of suffocation, please always keep plastic bags or small parts away from babies, children and pets.

