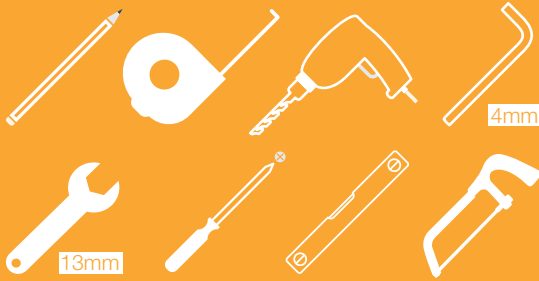




how to fit relax storage kits

Assembly Instructions

Tools required:



! Please check your opening for any hidden electrical wires and water pipes before / screwing.



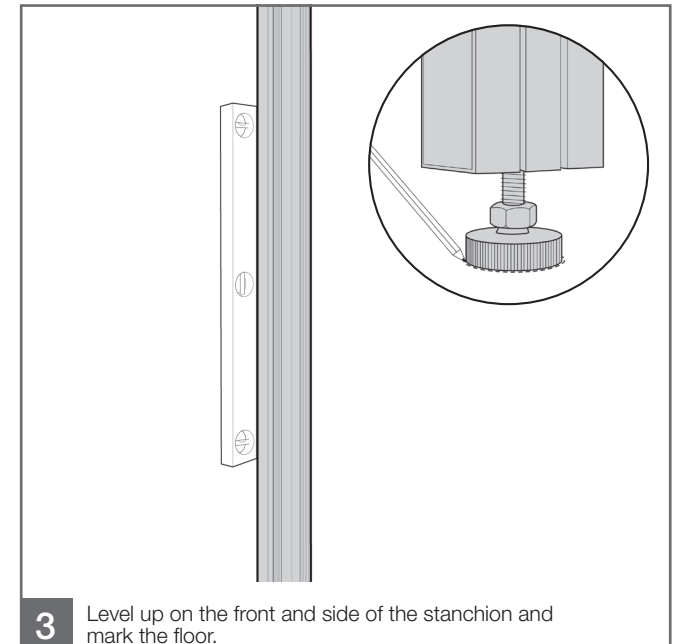
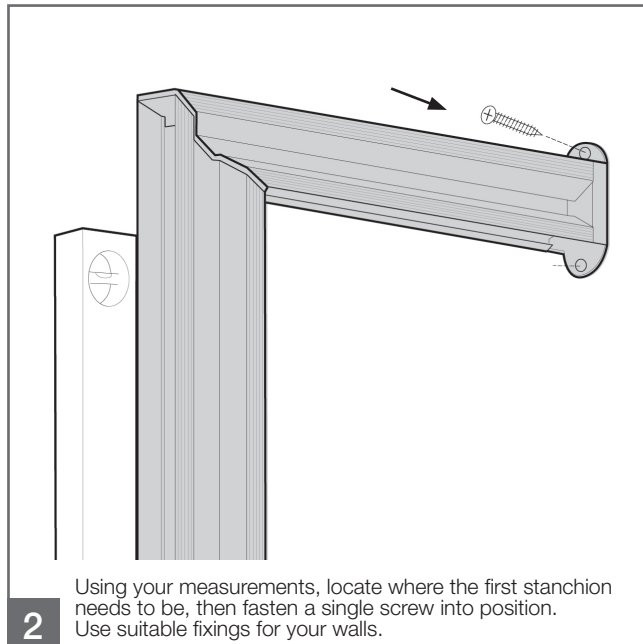
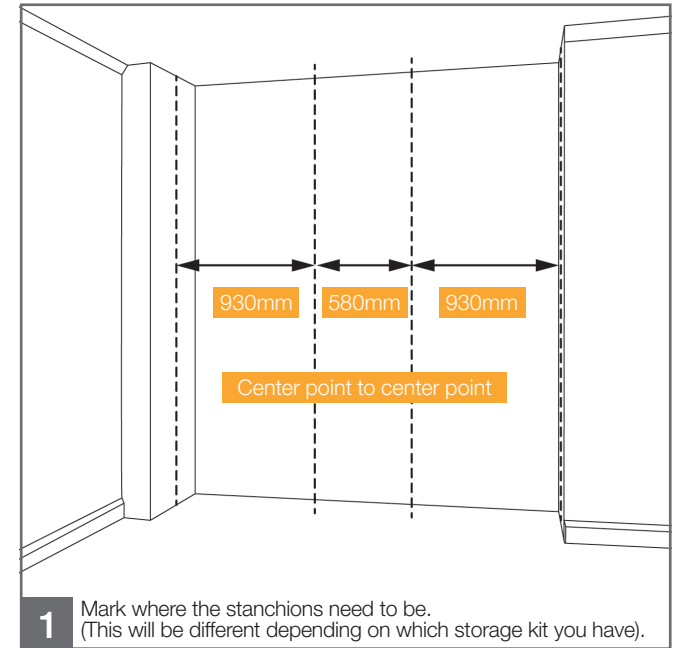
⊘ Screws not supplied.
Use suitable screws
and plugs.

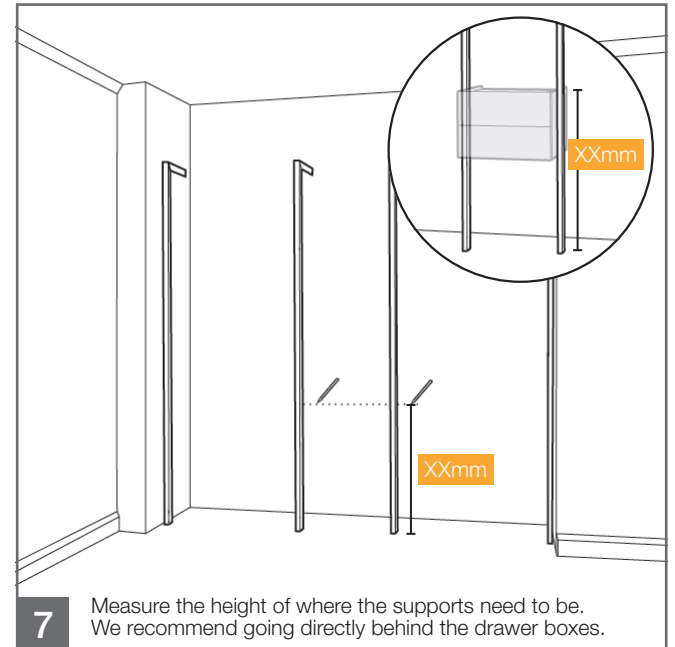
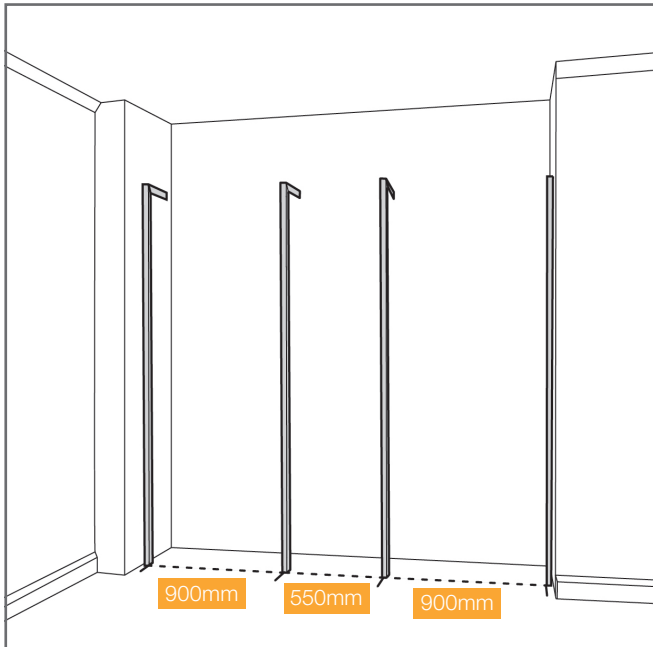
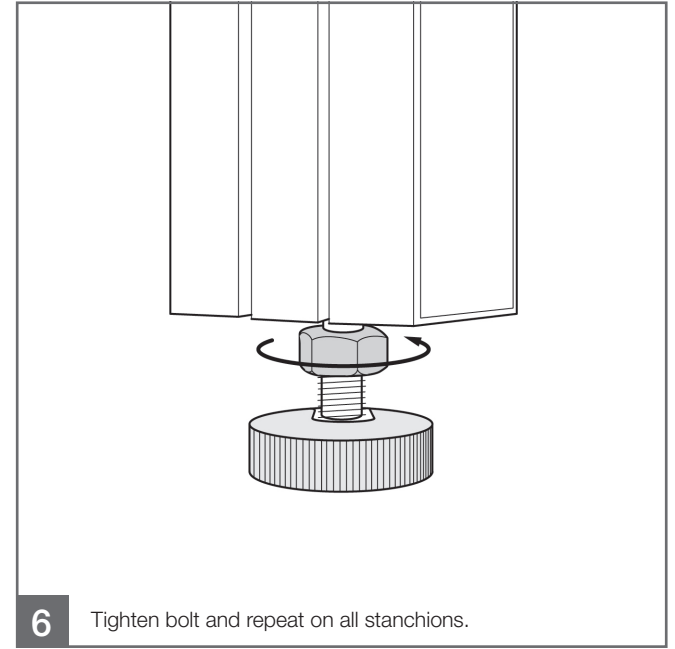
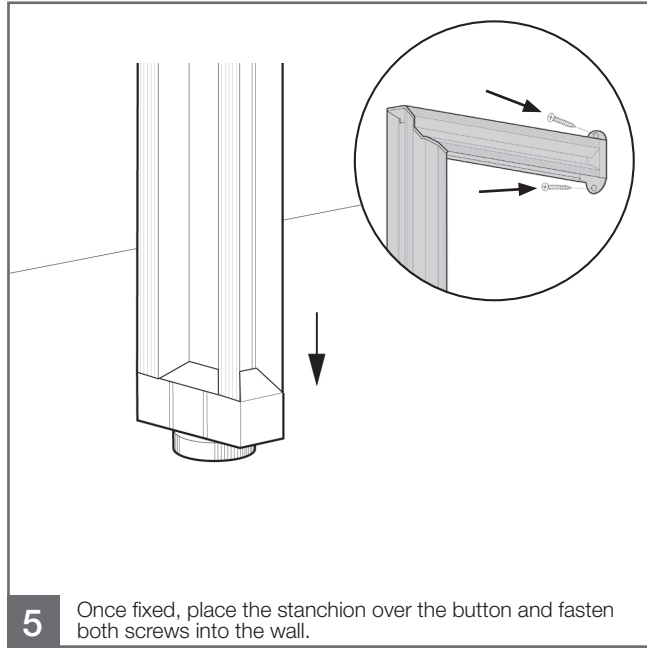
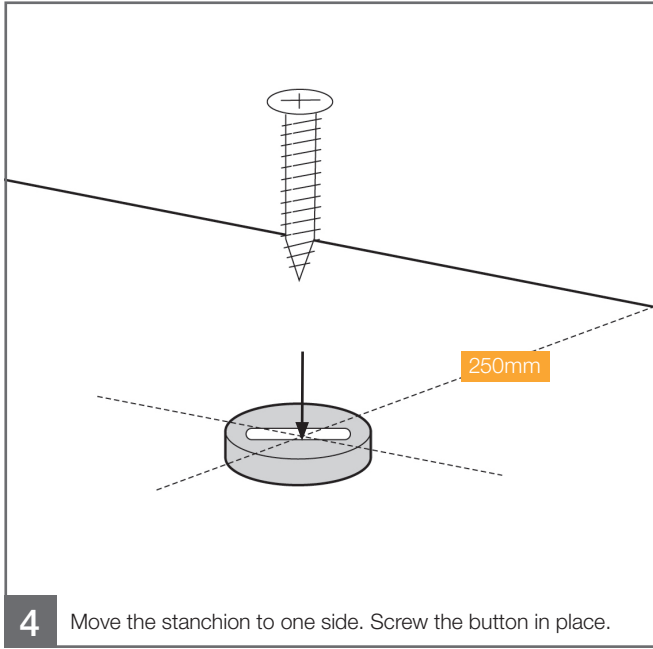
space·pro
THE LOOK YOU LOVE

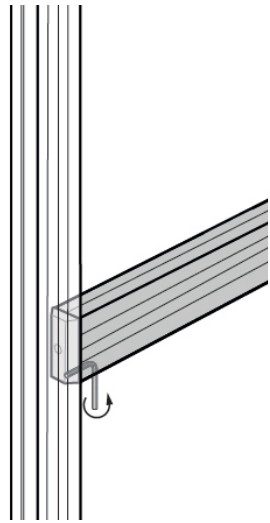
V1

fixing stanchions

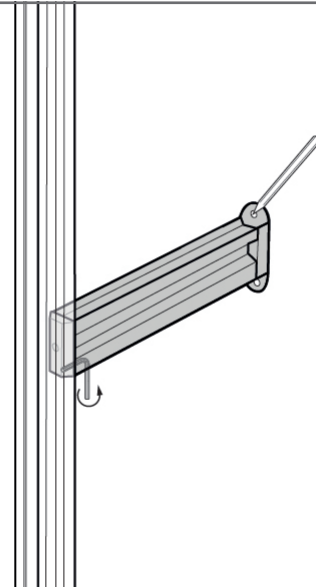
You can use the 'How to Measure Up' guide to ensure your space has been measured correctly.



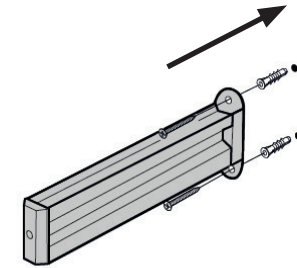




8 Using the measurement from step 7, attach the Stanchion Support to the stanchion with an allen key (4mm).



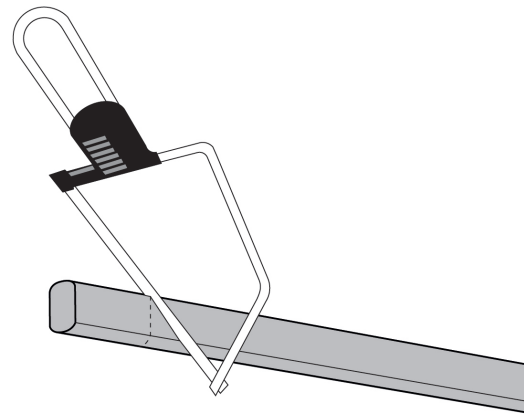
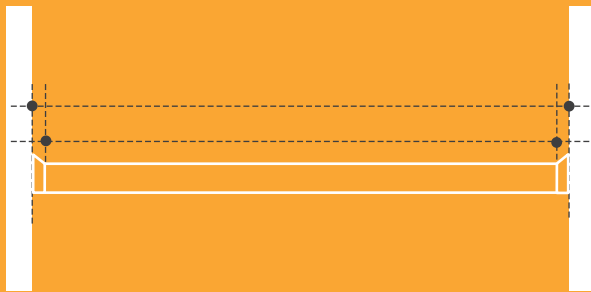
9 Mark the wall through the holes, ensuring that the stanchion is level.



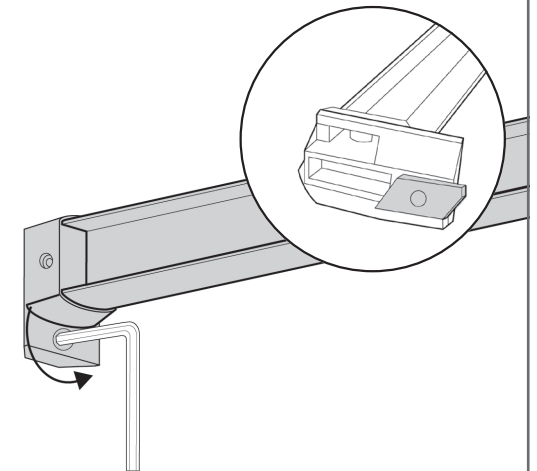
10 Attach to the wall, using suitable fixings.

fixing hanger bars

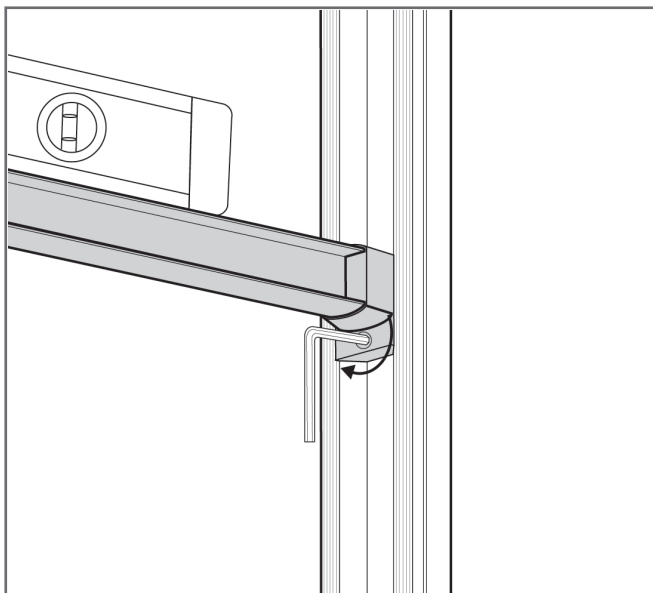
Dimensions to cut the hanger bar to – width between stanchions minus 6mm = hanger bar length (i.e: 800mm – 6mm = 794mm)



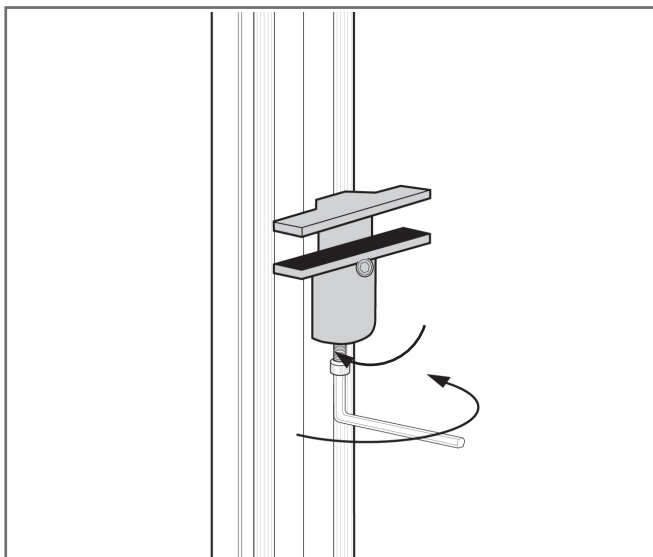
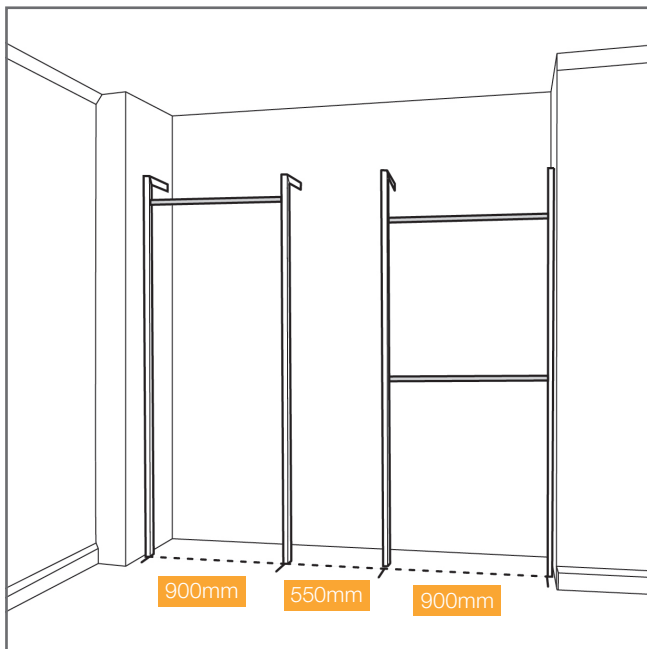
11 Measure and cut hanger bar to desired length.



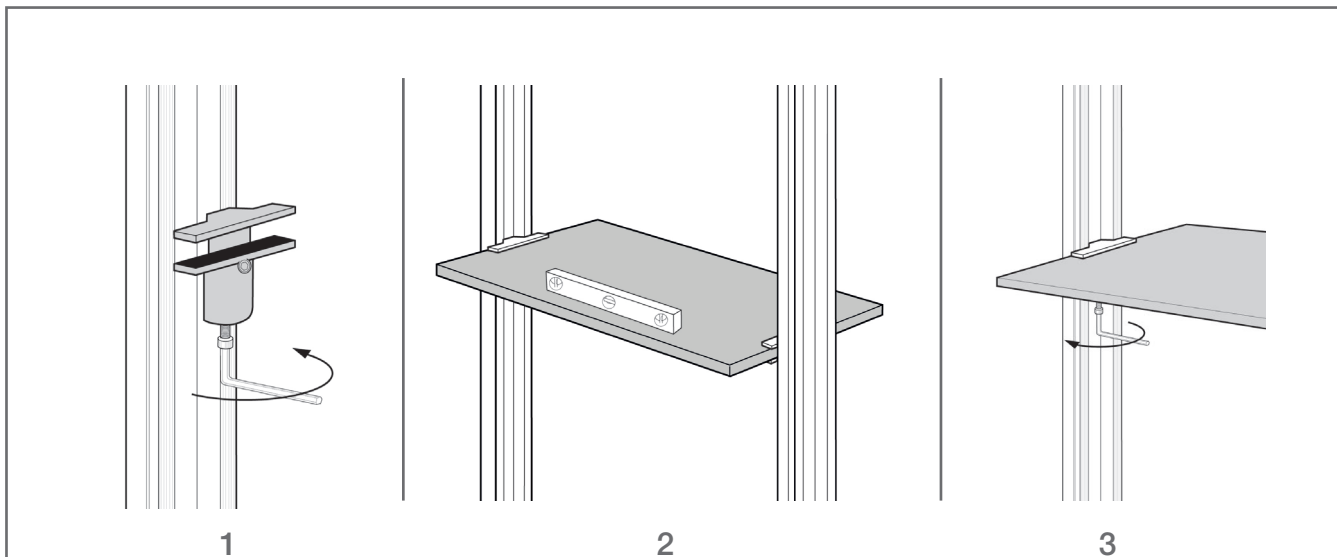
12 Loosen and align locking nuts on both ends. Using a 4mm allen key.



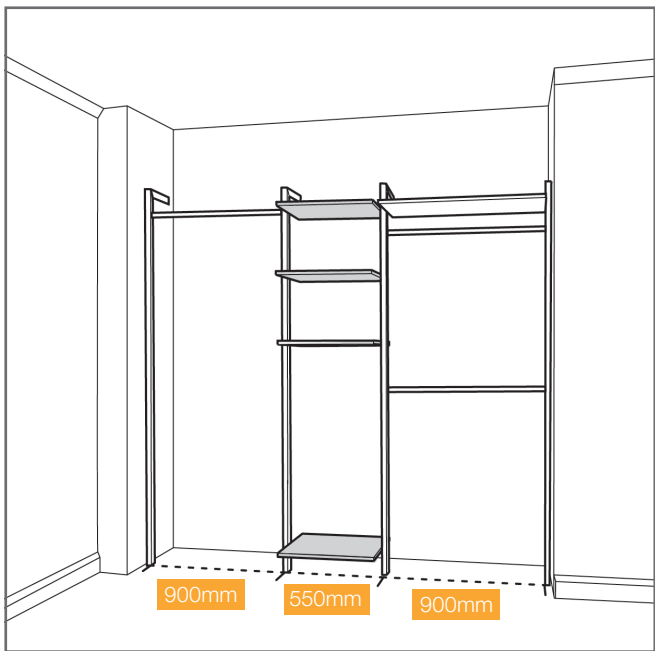
13 Position hanger bar and level up. Tighten the locking nut to fix.



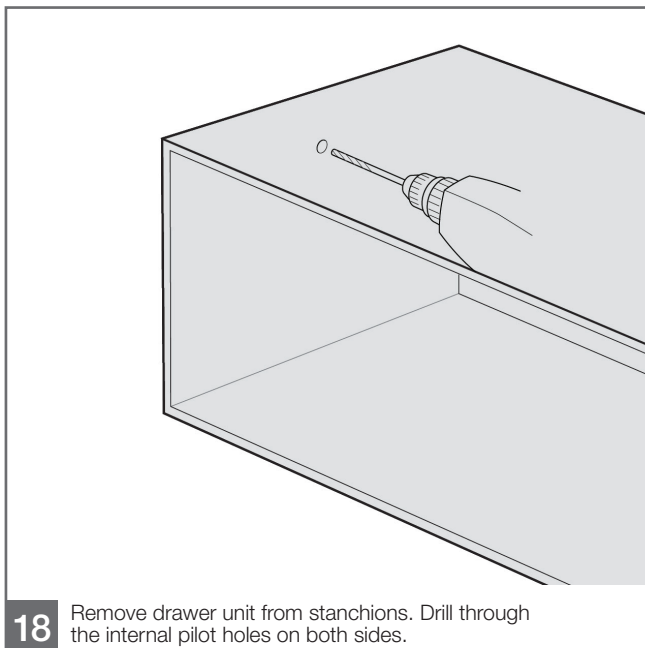
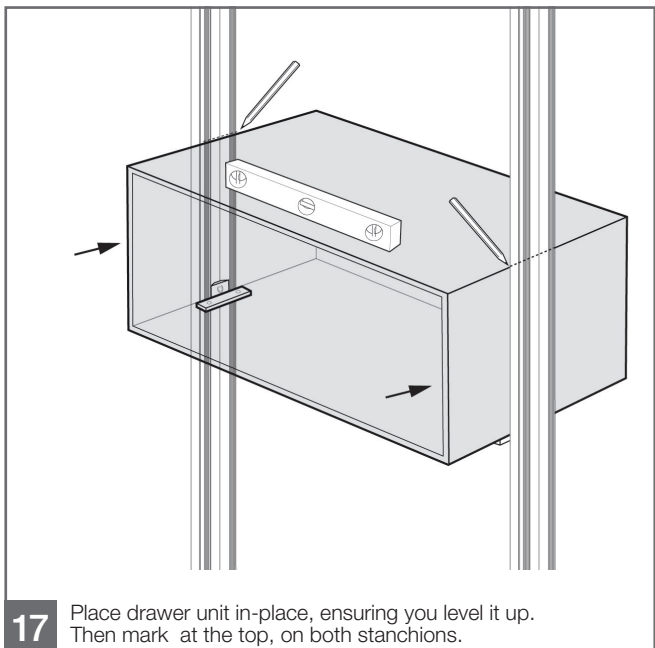
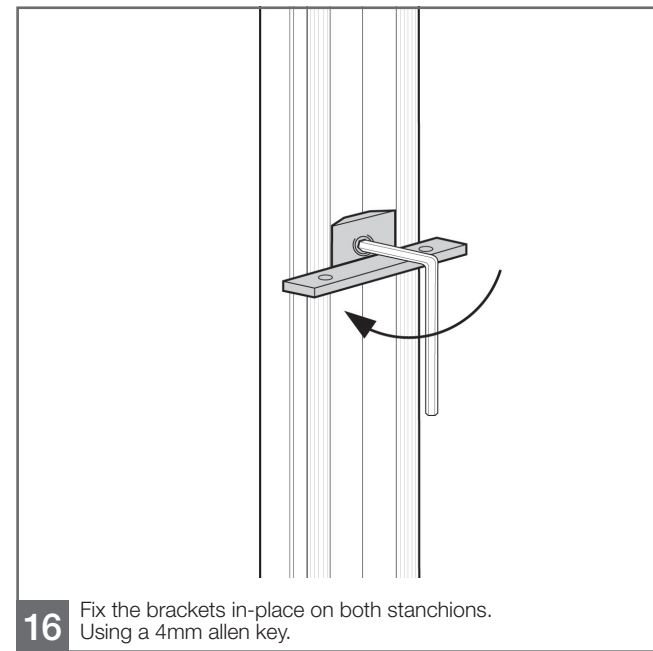
14 Position shelf brackets and level up. Tighten the locking nut to fix.

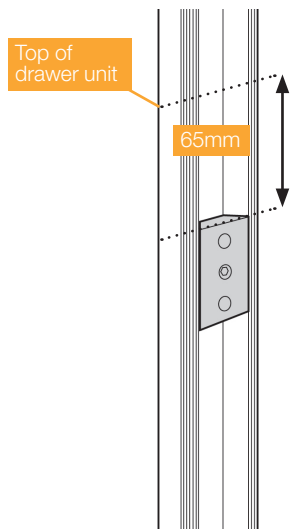
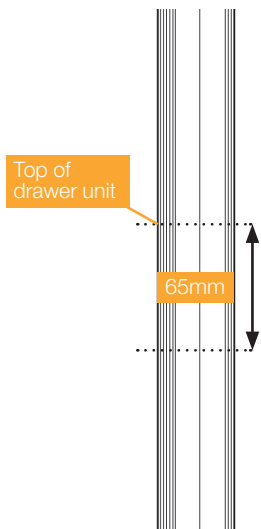


15 **1** – Open the clamps using the bottom screw (4mm allen key) and slide shelf into place. **2** – Level up. **3** – Ensure you tighten both bolts on each bracket. Repeat this for all shelves.

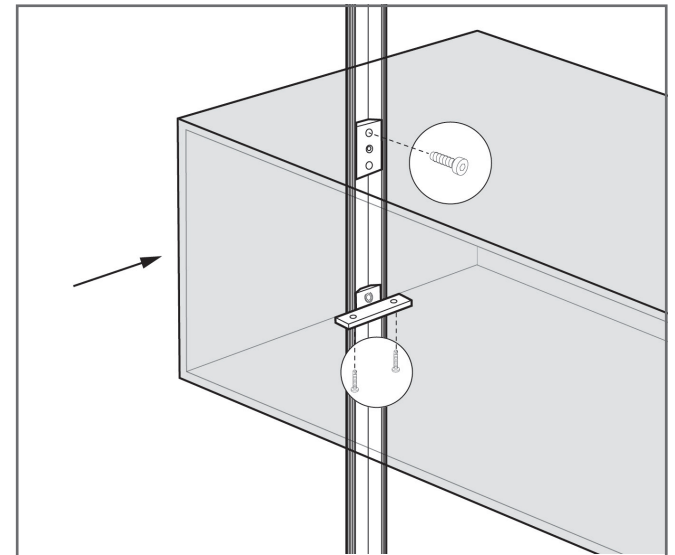


fixing drawer units

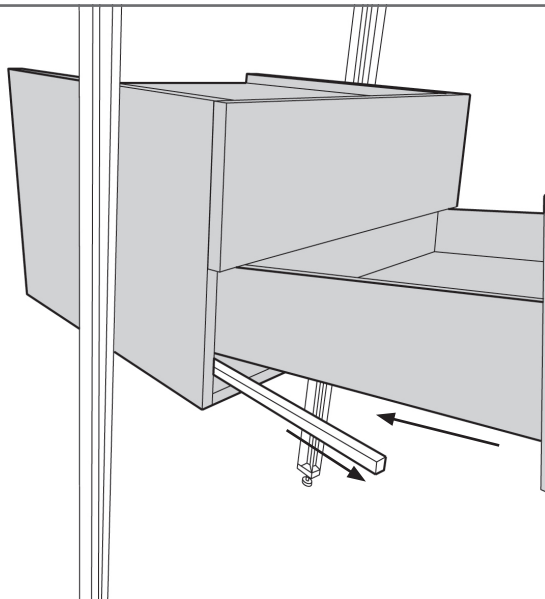




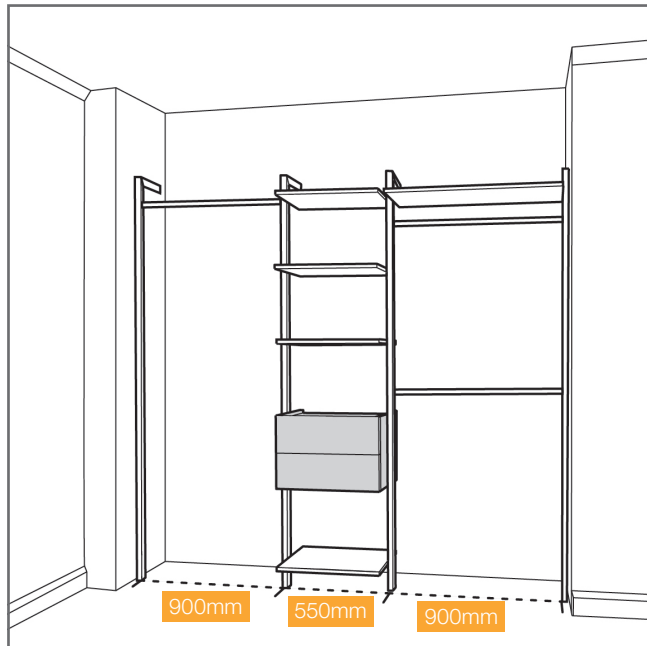
19 Measure 65mm down from pencil mark. Align top bracket to the lower mark on both stanchions and fix in place.



20 Place the draw box back and fasten the bolts into the top bracket on both sides. Fix the drawer box to the bottom brackets using screws (we recommend you drill a pilot hole first).

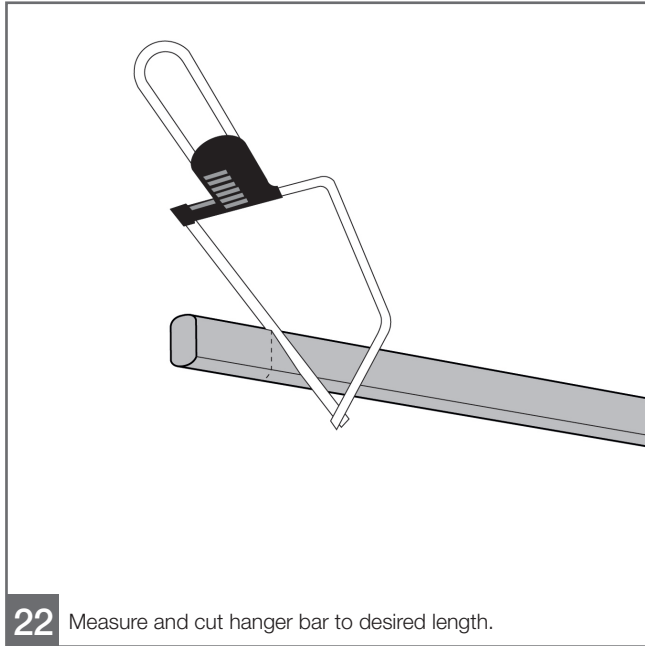
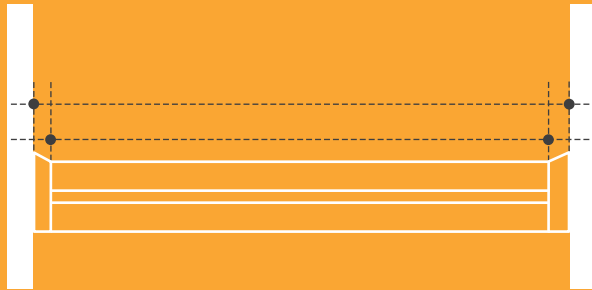


21 Pull out all drawer runners and slide drawers into place.

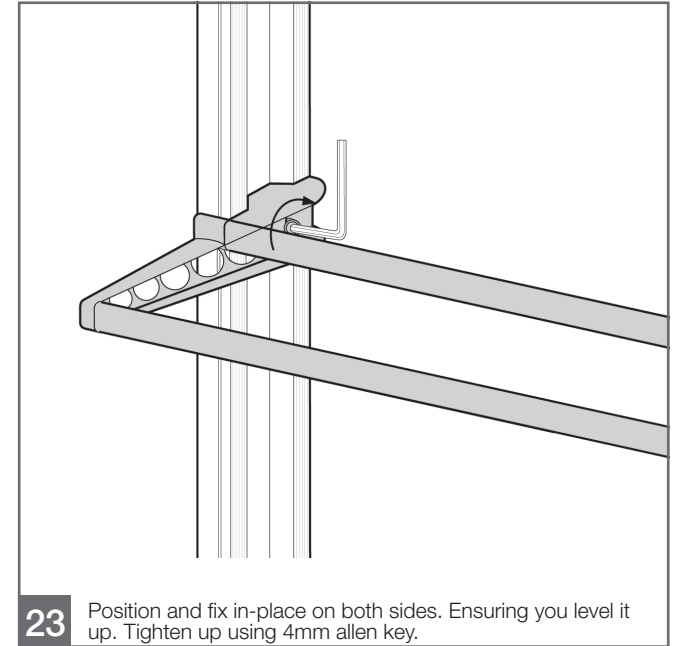


fixing shoe racks

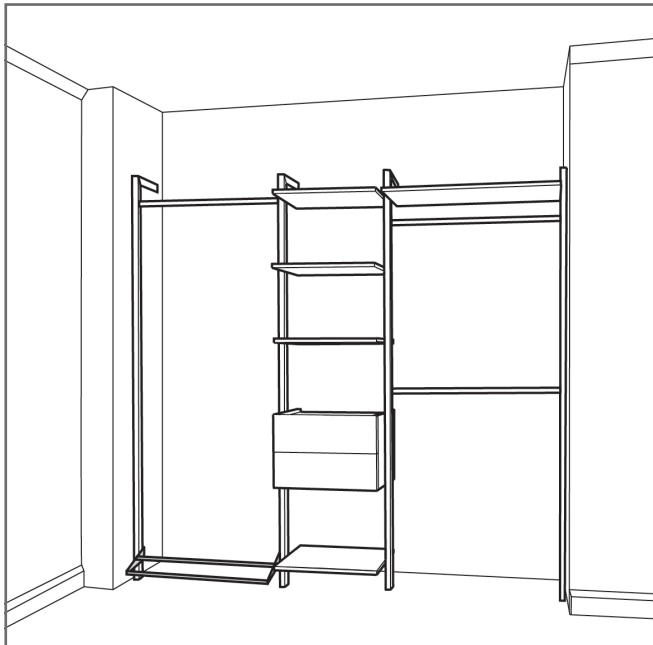
Dimensions to cut the shoe rack
to – width between stanchions minus
13mm = shoe bar length
(i.e: 800mm – 13mm = 787mm)



22 Measure and cut hanger bar to desired length.

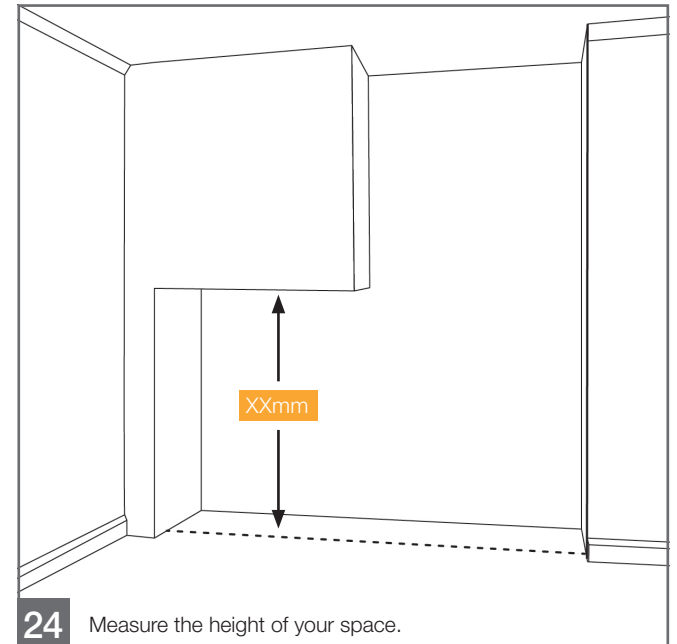


23 Position and fix in-place on both sides. Ensuring you level it up. Tighten up using 4mm allen key.

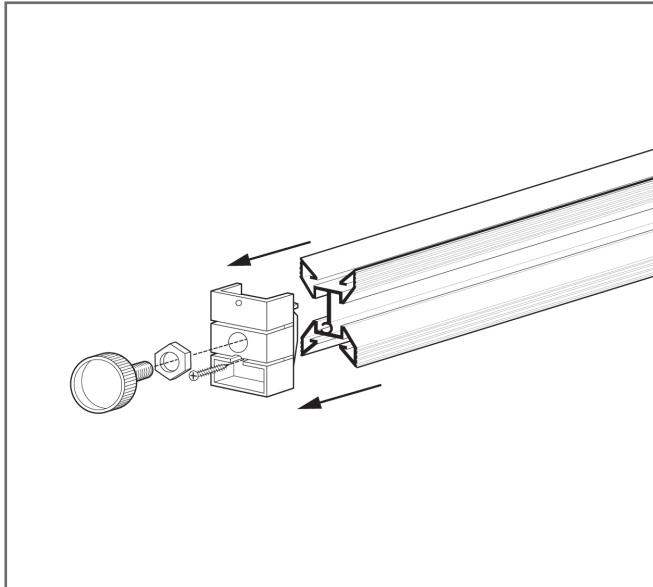


cutting/adjusting the stanchions

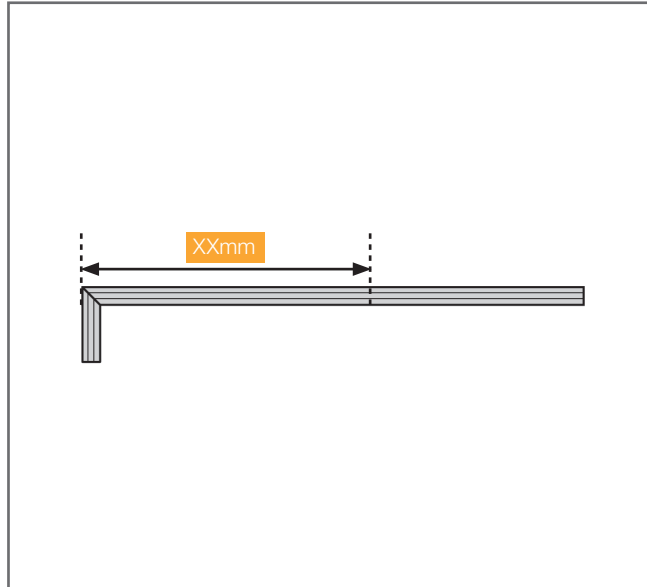
If you need to cut down
the stanchions for any
reason follow the
next steps.



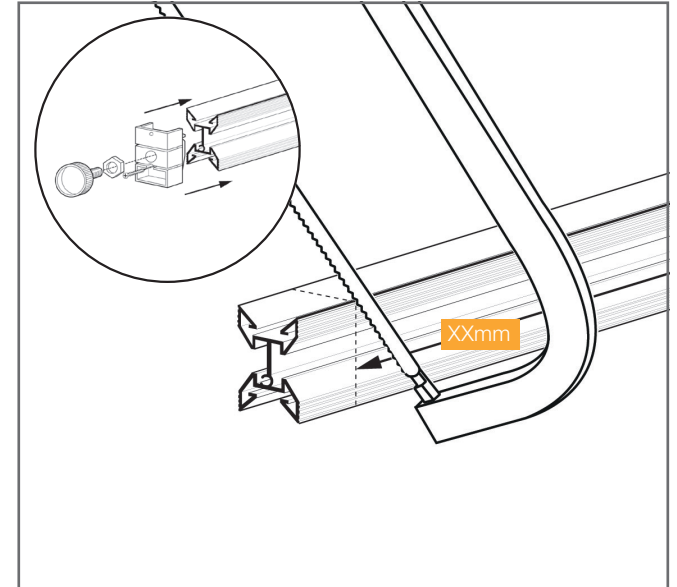
24 Measure the height of your space.



25 Remove adjustable screw and bottom cap from the stanchion.



26 Measure down from the top of the stanchion to your desired height (xxmm).



27 Cut stanchion to size, then re-apply the bottom cap and the adjustable screw. Fix as per steps 1 - 6.

