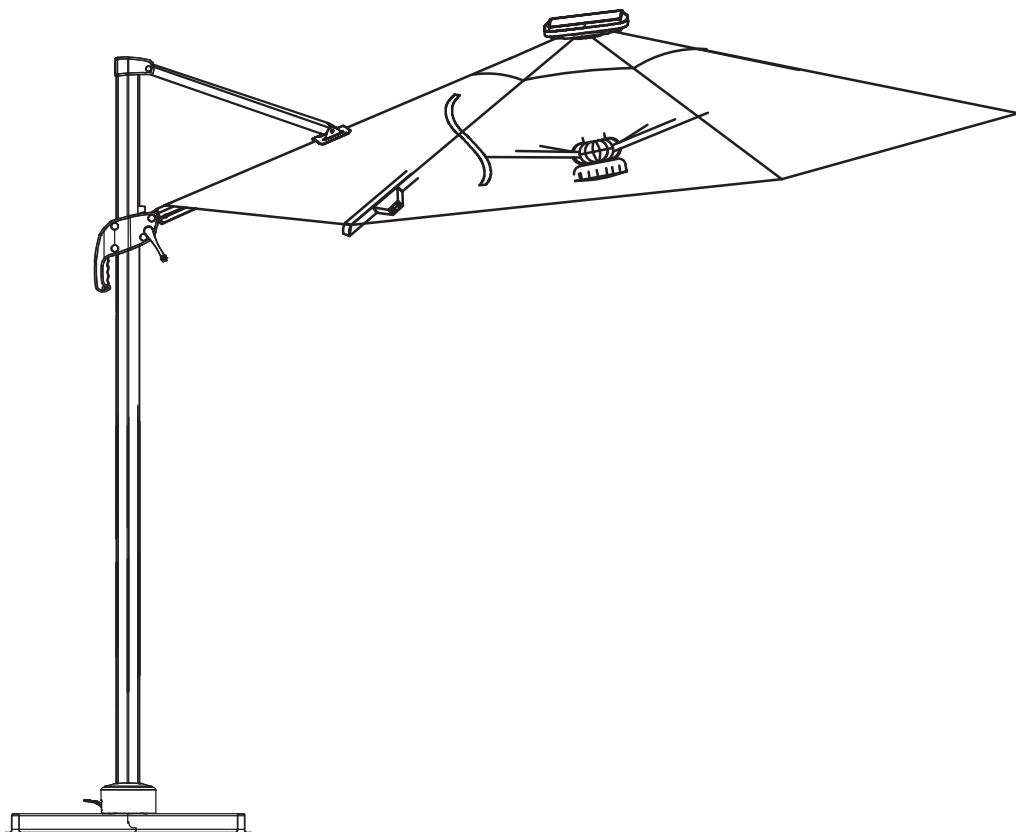


**HOMEBASE**

# 3.5M OVERHANGING PARASOL WITH LIGHTS

Powder-coated aluminium and steel frame  
with polyester fabric  
H255 x Dia. 350cm



## INSTRUCTION MANUAL

IMPORTANT: Please read these instructions before using the product and retain for future use.  
HHGL Limited, MK9 1BA; HHGL (ROI) Limited, D02 X576

## CARE ADVICE

- Always close/put down the parasol when not in use. Do not use or assemble the parasol in wind, rain, thunderstorms or if it's snowing. In these weather conditions, we recommend to fold down or disassemble the parasol. Disassemble by following the set-up steps in this manual.
- The parasol must be secured in place using a parasol base. Make sure the ground is level and firm.
- If the crank gets too hard to turn, check if the rope has come off the pulley. If you continue to turn the crank, the rope or crank handle could break.
- Placing the parasol over or near a swimming pool can cause premature fading of the canopy.

## WARNING

- Do not assemble the parasol on sandy, muddy or loose soil.
- Keep children and pets away while setting up the parasol.
- Children must be supervised around the parasol.
- This parasol is for outdoor use only.
- Do not light any fires under or near the parasol!
- This parasol is primarily intended to be used as a sunshade and not as wind protection.

## CARE FOR THE CANOPY

- Simply clean the parasol canopy with a soft brush and mild detergent.
- Do not machine wash or machine dry.
- Do not iron.
- Air-dry the canopy thoroughly in an open position before storing for extended periods of time.

## ATTENTION

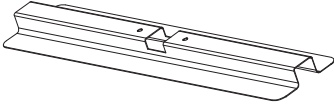
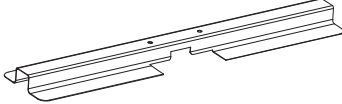
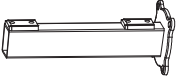
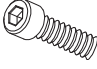

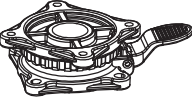


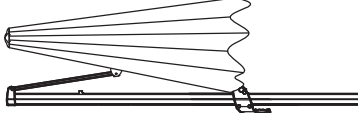
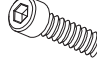
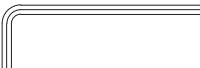

- Please read these instructions carefully before assembly.
- Although assembly only requires 1 person, it is advised that a second person be present to help place into position, when fully assembled.

## CAUTION

YOU MUST CHARGE THE BATTERY BEFORE FIRST USE. **Note:** The battery can discharge if it is left unused or uncharged for a long period of time. As there can be a six-month period between manufacture and final customer purchase, we recommend you charge your solar parasol for at least 8 hours in direct sunlight, before the first use. Failure to charge the battery will result in premature dimming of the lights in your new solar parasol. Make sure the light switch is in the 'OFF' position when charging the solar panel. For everyday normal use, turn the light switch on at night when you want to use the solar light, and turn off the switch after use. **MAKE SURE THE LIGHT SWITCH IS IN THE 'OFF' POSITION IN THE DAYTIME FOR THE SOLAR PANEL TO RECHARGE THE BATTERY.**

# COMPONENTS

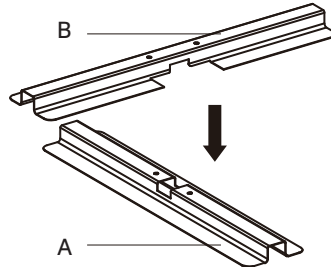
Please check you have all components listed below. If you have any missing or damaged components, please contact your local store.

A		1 x Cross base A
B		1 x Cross base B
C		1 x Support pole
D	 (M10X20)	4 x Bolts
F	 (Ø10)	8 x Washers
G		1 x Rotation base
H		1 x Rotation base cap
I		1 x Crank handle
J		1 x Frame with canopy
K	 (M10X25)	5 x Bolts
L	 (S8)	1 x Allen Key
R		1 x Solar panel

# ASSEMBLY INSTRUCTIONS

## Step 1

Place the cross base (A) on a soft, level surface, line up the notches and place the cross base (B) over cross base (A).

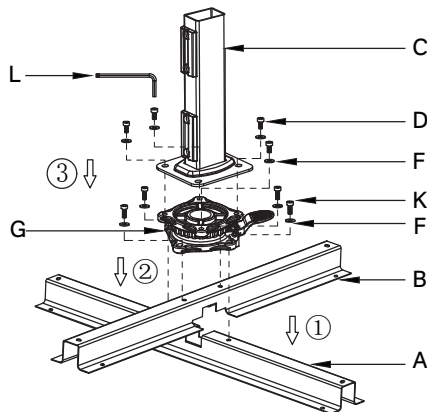


## Step 2

Attach the rotation base (G) to the cross base using bolts (K) and washers (F) and hand tighten. Adjust the rotation base (G) to be sure it is positioned correctly on the cross base, then fully tighten all bolts with the Allen Key (L).

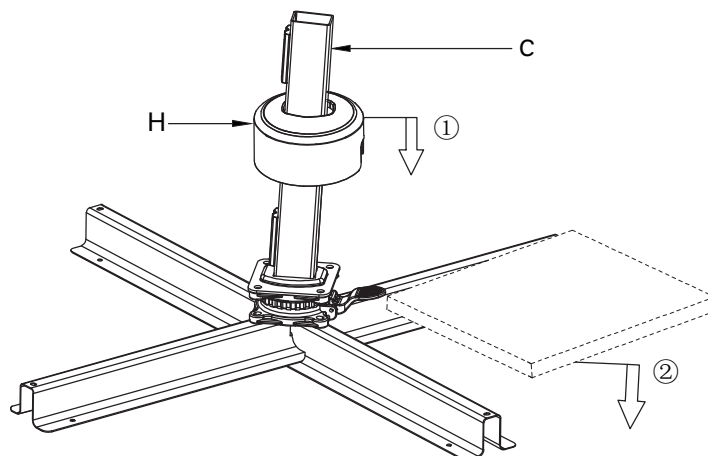
Then attach the support pole (C) to the rotation base (G) using bolts (D) and washers (F), and hand tighten. Adjust the support pole (C) to be sure it is positioned correctly on the rotation base, then fully tighten all bolts with the Allen Key (L).

**Note:** Be careful not to over tighten.



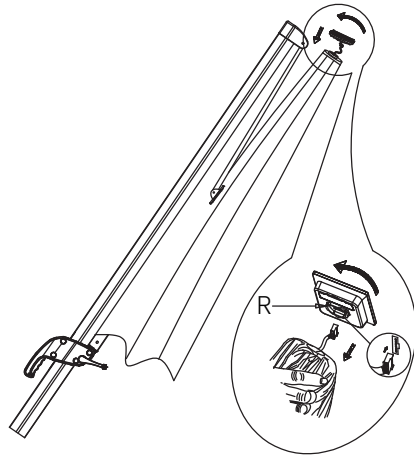
## Step 3

Insert the rotation base cap (H) into the support pole (C).



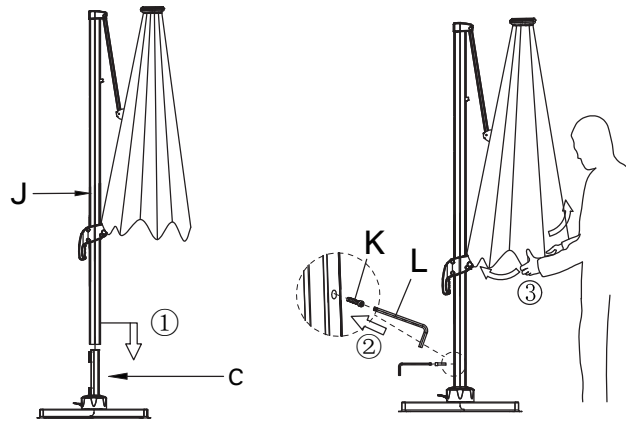
#### Step 4

Find the plug at the top of the parasol. Insert the plug into the socket under the solar panel (R), as shown. Put the solar panel on the top of the parasol and hide the plug and wire inside the groove, at the top of parasol. Then turn the solar panel clockwise.



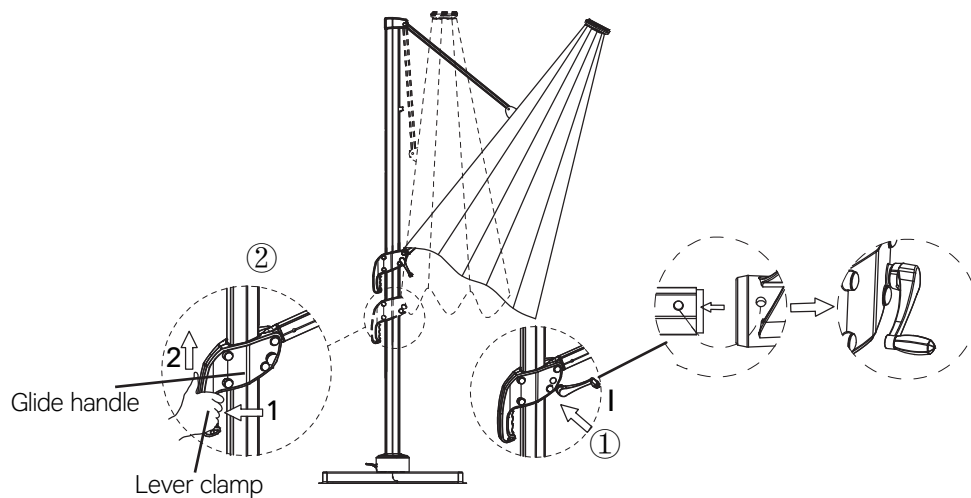
#### Step 5

Insert the frame with canopy (J) into the support pole (C). Then tighten the bolt (K) using the Allen Key (L) into the support pole.



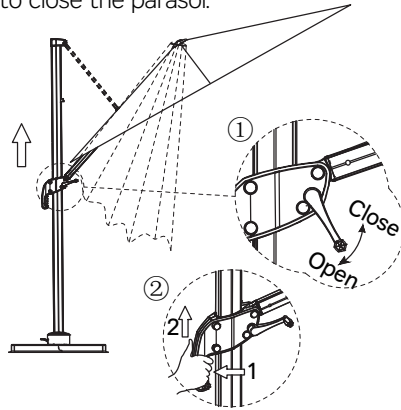
#### Step 6

Insert the crank handle (I). To open the parasol, squeeze the glide handle and lever clamp together, and slide up or down the pole to achieve the desired tilting angle. Release the lever clamp to lock it into place.



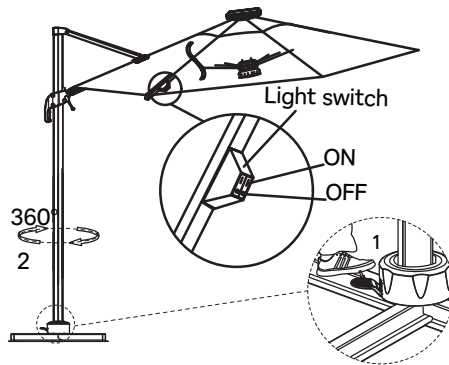
### Step 7

To open the canopy, turn the crank handle clockwise until the canopy is fully open. Turn the crank handle counter clockwise to close the parasol.



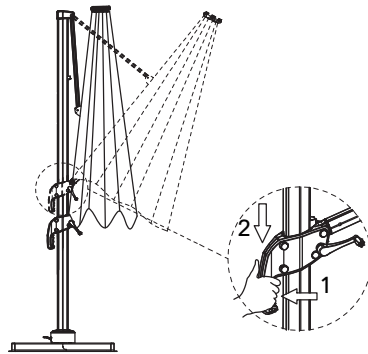
### Step 8

Step on the foot panel of rotation base and use your hands to turn the parasol to make a 360° rotation. The multiple position canopy can rotate 360° around the axis of the main pole, so you can adjust the position to meet your needs. Press the light switch to turn on/off the solar lights.



### Step 9

To close the parasol, turn the crank handle counter clockwise until the canopy is fully closed. Squeeze the glide handle and lever clamp together, then slide down the pole and release the lever clamp to lock into place.



### Step 10

Fasten the storage straps around the canopy.

