

HOMEBASE

2.7M CRANK & TILT PARASOL

Powder-coated steel frame

H235 x W270 x D270cm



INSTRUCTION MANUAL

IMPORTANT: Please read these instructions before using the product and retain for future use.
HHGL Limited, MK9 1BA; HHGL (ROI) Limited, D02 X576

CARE ADVICE

- Always close/put down the parasol when not in use. Do not use or assemble the parasol in wind, rain, thunderstorms or if it's snowing. In these weather conditions, we recommend to fold down or disassemble the parasol. Disassemble by following the setup steps in this manual.
- The parasol must be secured in place using a parasol base. Make sure the ground is level and firm.
- If the crank gets too hard to turn, check if the rope has come off the pulley. If you continue to turn the crank, the rope or crank handle could break.
- Placing the parasol over or near a swimming pool can cause premature fading of the canopy.

WARNING

- Do not assemble the parasol on sandy, muddy or loose soil.
- Keep children and pets away while setting up the parasol.
- Children must be supervised around the parasol.
- This parasol is for outdoor use only.
- Do not light any fires under or near the parasol!
- This parasol is primarily intended to be used as a sunshade and not as wind protection.

CARE FOR THE CANOPY

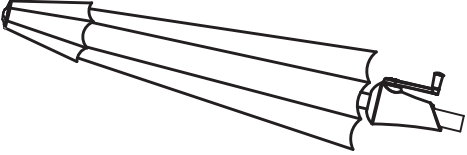
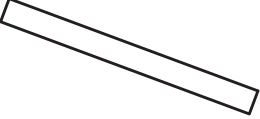
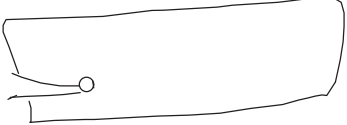
- Simply clean the umbrella canopy with a soft brush and mild detergent.
- Do not machine wash or machine dry.
- Do not iron.
- Air-dry the canopy thoroughly in an open position before storing for extended periods of time.

ATTENTION

- Please read these instructions carefully before assembly.
- Although assembly only requires 1 person, it is advised that a second person be present to help place into position when fully assembled.

COMPONENTS

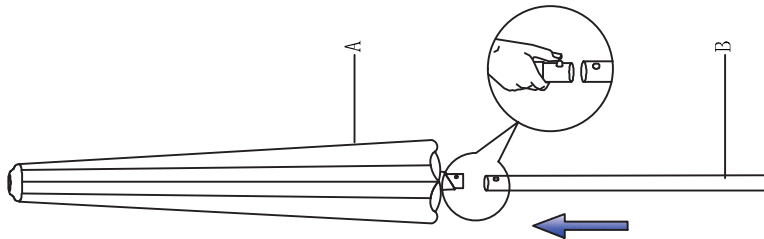
Please check you have all components listed below. If you have any missing or damaged components, please contact your local store.

A	 A line drawing of a frame with a canopy, consisting of several long, thin poles and a small canopy structure at the top.	1 x Frame with canopy
B	 A line drawing of a single, long, thin pole, representing the bottom pole.	1 x Bottom pole
C	 A line drawing of a rectangular cover with a small circular detail on the left side, representing the cover.	1 x Cover

ASSEMBLY INSTRUCTIONS

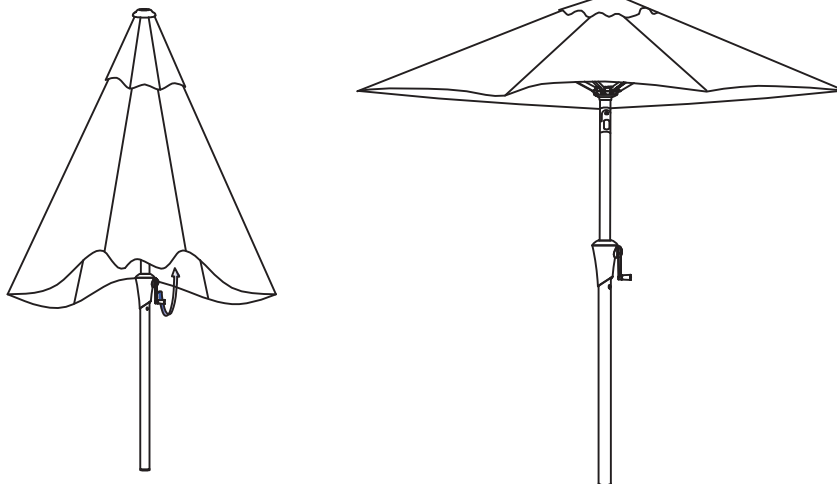
Step 1

Press the spring-button of part A while inserting the pole part B until it locks in place (the spring-button should pop into the hole in the pole).



Step 2

Turn the crank handle in a clockwise direction to open the parasol canopy, opposite direction to close the canopy. TO CLOSE THE PARASOL IT MUST BE IN THE UPRIGHT POSITION.



Step 3

Tilt the parasol to the desired angle while pressing the tilt button to release the parasol top. Release the button to maintain the desired angle.

