



HOMEBASE

ANDORRA ROUND TABLE AND PARASOL

INSTRUCTION MANUAL

IMPORTANT: Please read these instructions before using the product and retain for future use.

HHGL Limited, MK9 1BA
HHGL (ROI) Limited, D02 X576

SAFETY & CARE ADVICE

Please read these instructions fully before starting assembly.

- Check you have all the components and tools listed on page 3.
- Remove all fitting from the plastic bags and separate them into their groups.
- Keep children and animals away from the work area; small parts could pose a choking hazard if swallowed.
- Make sure you have enough space to lay out the parts before starting.
- Do not stand or put weight on the component parts or the product, as this could cause damage.
- Assemble the item as close to its final position as possible.
- Assemble on a soft, level surface to avoid damaging the unit or your floor.
- Parts of the assembly will be easier with two people.
- We do not recommend the use of power drills/drivers for inserting screws, as this could damage the unit. Only use hand screwdrivers.
- Dispose of all packaging carefully and responsibly.
- The table is made from toughened glass, which is strong but not unbreakable. In the unlikely event that the glass fails, it will break into a large number of small fragments that may be spread over a wide area. This is a feature of toughened glass, and is designed to remove the risk of injury from glass breaking into large shards.
- Do not strike or place heavy weight on the table. Do not place hot items directly onto the glass. Avoid dropping objects on to the glass, as this may weaken or shatter it. Do not use the glass as a chopping surface.
- A weighted parasol base must be used, when using a parasol with this table.
- If the glass is chipped or broken, stop using the product.
- Domestic use only.
- Maximum safe weight of use is 45kg.

CARE AND MAINTENANCE

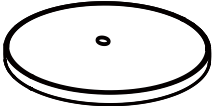

- We recommend that you cover your garden furniture when it's not in use, and that it is stored in a garage or shed throughout the winter months.
- Please ensure the furniture is dry before storing.

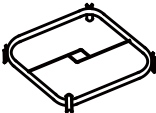
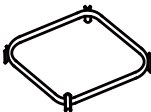
IMPORTANT INFORMATION

- Regularly check all the bolts, screws and fastenings are secure.
- Do not use this table unless all bolts and screws are firmly secure.
- Only clean using a damp cloth and mild detergent; do not use bleach or abrasive cleaners.
- This product should not be discarded with household waste. Take it to your local authority waste disposal centre.

COMPONENTS

Please check you have all components listed below. If you have any missing or damaged components, please contact your local store.

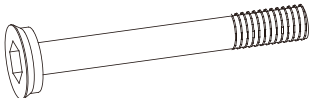
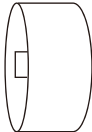
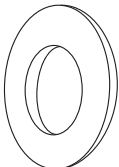
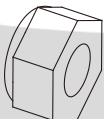
| | | |
|---|---|-----|
| 1 |  | x 1 |
| | Table top | |
| 2 |  | x 4 |
| | Legs | |

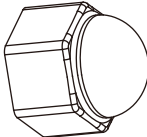



| | | |
|---|--|-----|
| 3 |  | x 1 |
| | Centre connector with ring | |
| 4 |  | x 1 |
| | Centre connector | |

COMPONENTS - FITTINGS

Please check you have all fittings listed below. If you have any missing or damaged fittings, please contact your local store.

Note: The quantities below are the correct amount to complete the assembly. In some cases, more fittings may be supplied than required.

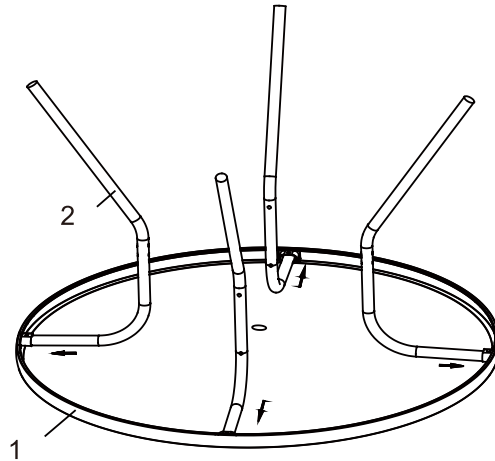
| | | |
|---|---|-----|
| A |  | x 8 |
| | M6 x 52mm Bolts | |
| B |  | x 8 |
| | M6 Bolts cap | |
| C |  | x 8 |
| | D13 Washers | |
| D |  | x 8 |
| | M6 x Metal nuts | |

| | | |
|---|--|-----|
| E |  | x 8 |
| | M6 Plastic nuts | |
| F |  | x 1 |
| | 4mm Allen Key | |
| G |  | x 1 |
| | 10mm Nut wrench | |
| |  | |
| | Screwdriver (not provided) | |

ASSEMBLY INSTRUCTIONS

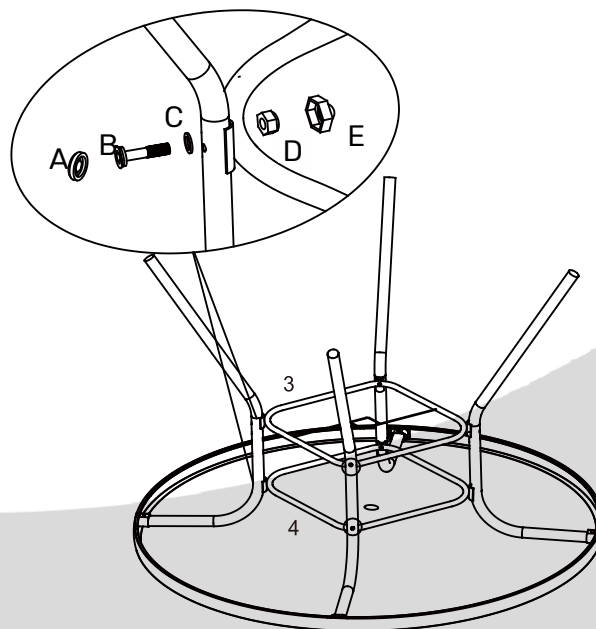
Step 1

Place the table top (1) onto a non-abrasive surface, such as a carpet, with its underside facing upwards. Insert the legs (2) into the plastic holders on the underside of the table top rim (1).



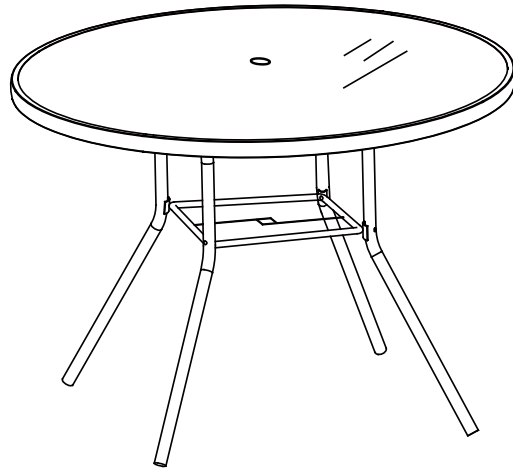
Step 2

Fasten the centre connector with ring (3) and the centre connector (4) to the middle of the legs (2), by using bolts (A), washers (C) and nuts (D). Make sure that all of the bolts have been tightened completely and cover them with bolt caps (B) and plastic nuts (E).



Step 1

Turn the table to its upright position.



ASSEMBLY COMPLETE

Your table is ready to use.

Note:

To use a parasol with this table, remove the plastic centre plug and put the parasol pole through the table top and centre connector ring.