

# HOMEBASE

## FLORENCE CORNER SOFA SET

---

INSTRUCTION MANUAL

---



IMPORTANT: Please read these instructions before using the product and retain for future use.

HHGL Limited, MK9 1BA  
HHGL (ROI) Limited, D02 X576

V1\_2023

## SAFETY & CARE ADVICE

Please read these instructions fully before starting assembly.


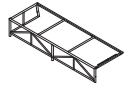
- Check you have all the components and tools listed in this booklet before assembly.
- Remove all fittings from their plastic bags and separate them into their groups.
- Keep children and animals away from the work area; small parts could choke if swallowed.
- Make sure you have enough space to lay out the parts before starting.
- Do not stand or put weight on the component parts during assembly, as this could cause damage.
- Assemble on a soft, level surface to avoid damaging the unit or your floor.
- We recommend a two-person assembly.
- Dispose of all packaging carefully and responsibly.
- Do not tighten screws completely at every stage until assembling is completed.

## IMPORTANT INFORMATION

- Regularly check all the bolts, screws and fastenings are secure.
- Only clean using a damp cloth and mild detergent; do not use bleach or abrasive cleaners.

## COMPONENTS - PANELS



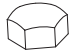

Please check you have all components listed below. If you have any missing or damaged components, please contact your local store.

<p><b>A</b></p>  <p>1 x Sofa arm with backrest</p>	<p><b>B</b></p>  <p>1 x Seat panel</p>
---	---


## COMPONENTS - FITTINGS

Please check you have all fittings listed below. If you have any missing or damaged fittings, please contact your local store.

Note: The quantities below are the correct amount to complete the assembly. In some cases, more fittings may be supplied than required.

<p><b>C</b></p>  <p>Flat washers X 8</p>	<p><b>D</b></p>  <p>M6*50mm bolts X 2</p>
<p><b>E</b></p>  <p>Bolt caps X 8</p>	<p><b>F</b></p>  <p>M6*45mm bolts X 6</p>

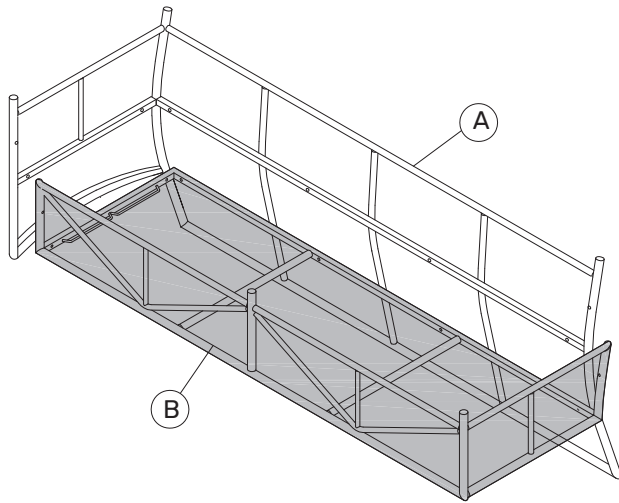
## Tools Included

<p><b>G</b></p>	 <p>1 x Spanner</p>
-----------------	--

# ASSEMBLY INSTRUCTIONS - 3 SEATER CORNER

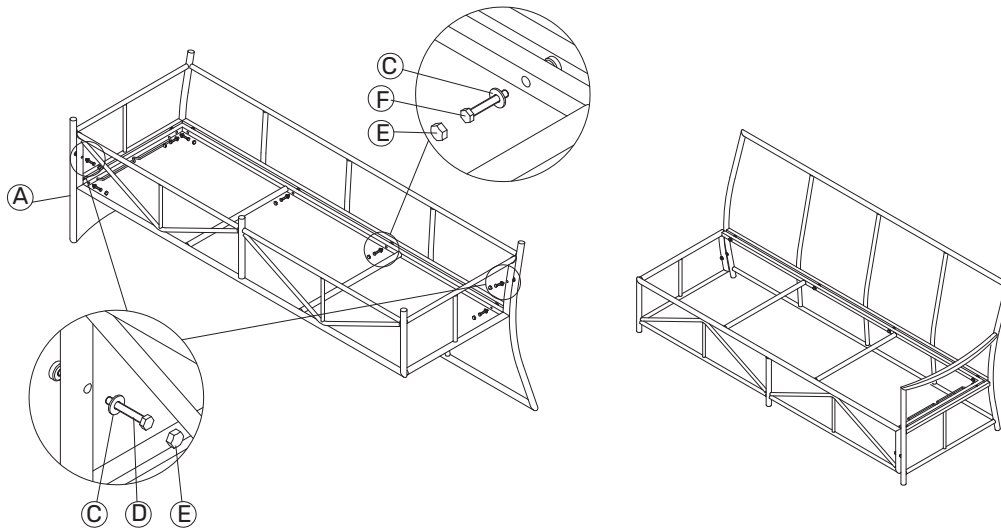
## Step 1

Turn the sofa (A) upside down on a soft clean surface ready for assembly.



## Step 2

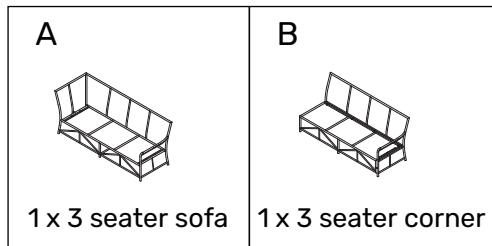
Attach seat panel (B) to sofa (A) with bolts (D) and (F), and flat washers (C). Tighten all bolts completely using Spanner (G). Then place bolt caps (E) on all bolts. Turn the sofa over and place in desired position.



ASSEMBLY COMPLETE

## COMPONENTS - PANELS

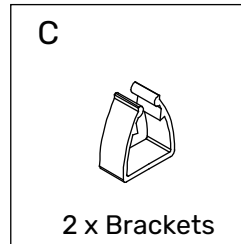
Please check you have all components listed below. If you have any missing or damaged components, please contact your local store.



## COMPONENTS - FITTINGS

Please check you have all fittings listed below. If you have any missing or damaged fittings, please contact your local store.

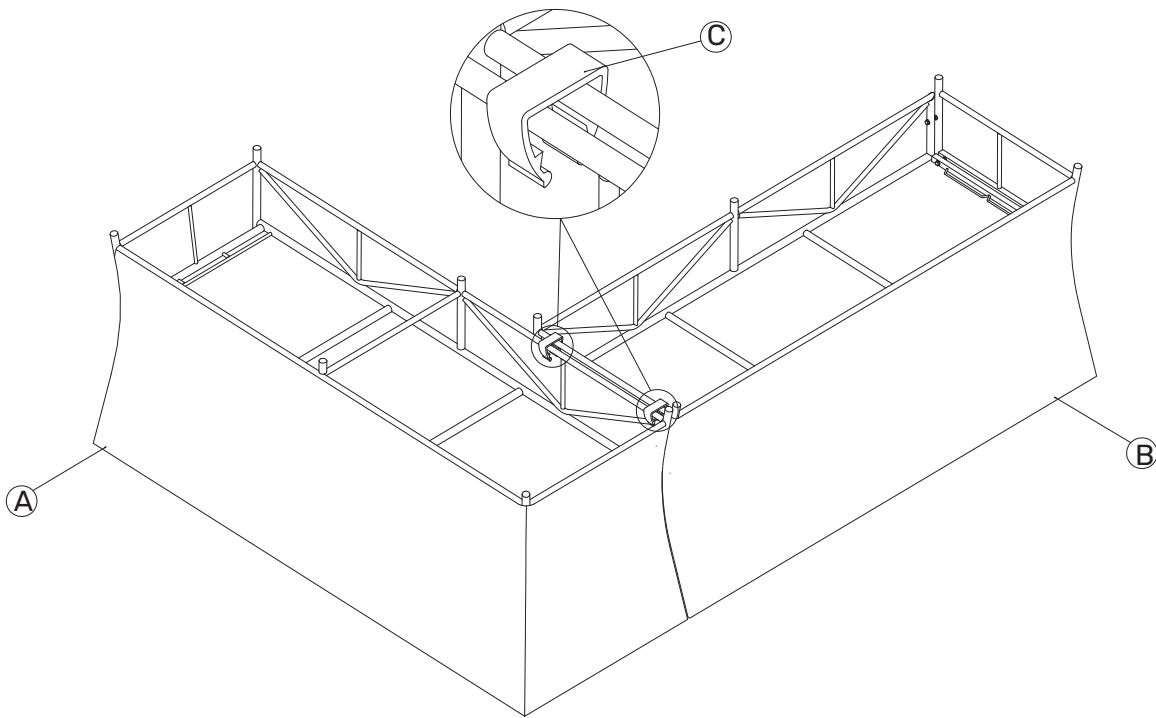
Note: The quantities below are the correct amount to complete the assembly. In some cases, more fittings may be supplied than required.



# ASSEMBLY INSTRUCTIONS - CORNER UNIT

## Step 1


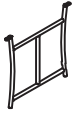

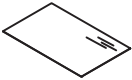
Position sofa (A) and sofa (B) for assembly. With brackets (C), position over the section that joins the two sofa parts. Turn the sofa over and place in desired place.



ASSEMBLY COMPLETE

## COMPONENTS - PANELS




Please check you have all components listed below. If you have any missing or damaged components, please contact your local store.

<p>A</p>  <p>1 x Table top frame</p>	<p>B</p>  <p>2 x Legs</p>
<p>C</p>  <p>1 x Crossing bar</p>	<p>D</p>  <p>1 x Glass</p>


## COMPONENTS - FITTINGS

Please check you have all fittings listed below. If you have any missing or damaged fittings, please contact your local store.

Note: The quantities below are the correct amount to complete the assembly. In some cases, more fittings may be supplied than required.

<p>E</p>  <p>Flat washers x 8</p>	<p>F</p>  <p>M6*25mm bolts x 8</p>
<p>G</p>  <p>Bolt caps x 8</p>	

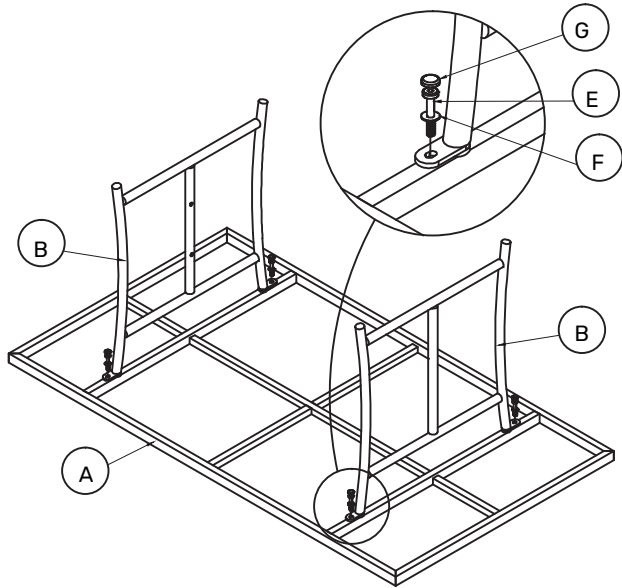
### Tools Included

<p>H</p>  <p>1 x Allen key</p>
--

# ASSEMBLY INSTRUCTIONS - TABLE

## Step 1

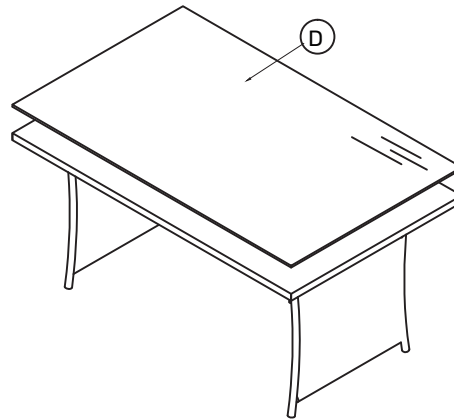
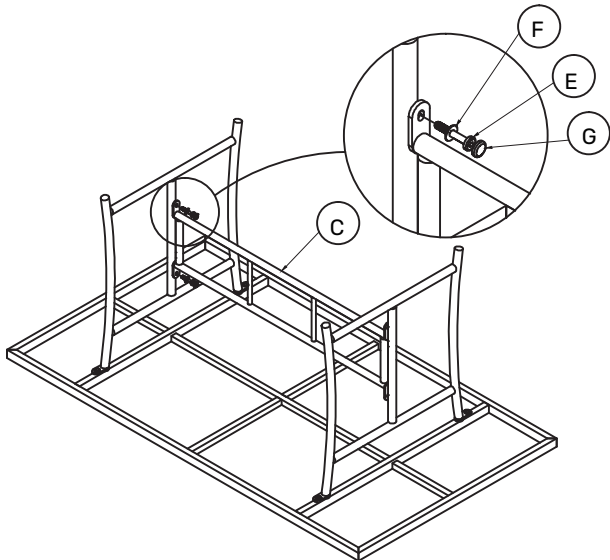
Turn the table top frame (A) upside down on a soft clean surface ready for assembly.  
Attach 2 legs (B) to table top frame (A) with bolts (E) and flat washers (F) using Allen key (H).



## Step 2

Attach crossing bar (C) to legs (B) with bolts (E) and flat washers (F). Tighten all bolts completely using Allen key (H). Then place bolt caps (G) on all bolts. Turn the table over and place in desired position.

Put glass (D) on table top carefully and gently press down on suckers to ensure glass is secure.



ASSEMBLY COMPLETE