

# HARTINGTON

MORTIMER COLLECTION

## Corner Sofa

Powder-coated aluminium frame

Hand woven synthetic rattan

Sofa - H98 x W182 x D83cm

Corner section - H98 x W200 x D83cm

Foot stool - H40 x W40 x D40cm



### Important

Please read these instructions before using the product. Retain instructions for future use.

HHGL Limited, MK9 1BA HHGL (ROI) Limited, D02 X576

## **SAFETY & CARE ADVICE**

Please read these instructions fully before starting assembly.



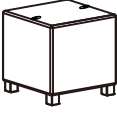





- Check that you have all the components and tools listed in this booklet before starting assembly.
- Remove all fittings from their plastic bags and separate them into their groups.
- Keep children and animals away from the work area; small parts could choke if swallowed.
- Make sure you have enough space to lay out the parts before starting.
- Do not stand or put weight on the component parts during assembly, as this could cause damage.
- Assemble on a soft, level surface to avoid damaging the unit or your floor.
- Two-person assembly is recommended.
- Dispose of all packaging materials carefully and responsibly.
- Assemble the item as close to its final position as possible.
- PLEASE NOTE: The cushions are not weatherproof and should be stored indoors if not used.

## **IMPORTANT INFORMATION**

- Only clean using a damp cloth and mild detergent; do not use bleach or abrasive cleaners.
- This product should not be discarded with household waste. Take to your local authority waste disposal centre.
- To prolong the life of this unit, we recommend it is stored inside during winter or extended periods of bad weather.

## COMPONENTS - PANELS

Please check you have all components listed below. If you have any missing or damaged components, please contact your local store.

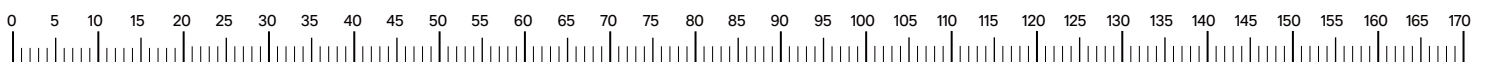
A	 Sofa	1
B	 Corner	1
C	 Stool	2
D	 Back cushion	5
E	 Back cushion	1
F	 Back cushion	1
G	 Seat cushion	2
H	 Seat cushion	2

## COMPONENTS - FITTINGS

Please check you have all fittings listed below. If you have any missing or damaged fittings, please contact your local store.

**Note:** The quantities below are the correct amount to complete the assembly. In some cases, more fittings may be supplied than required.

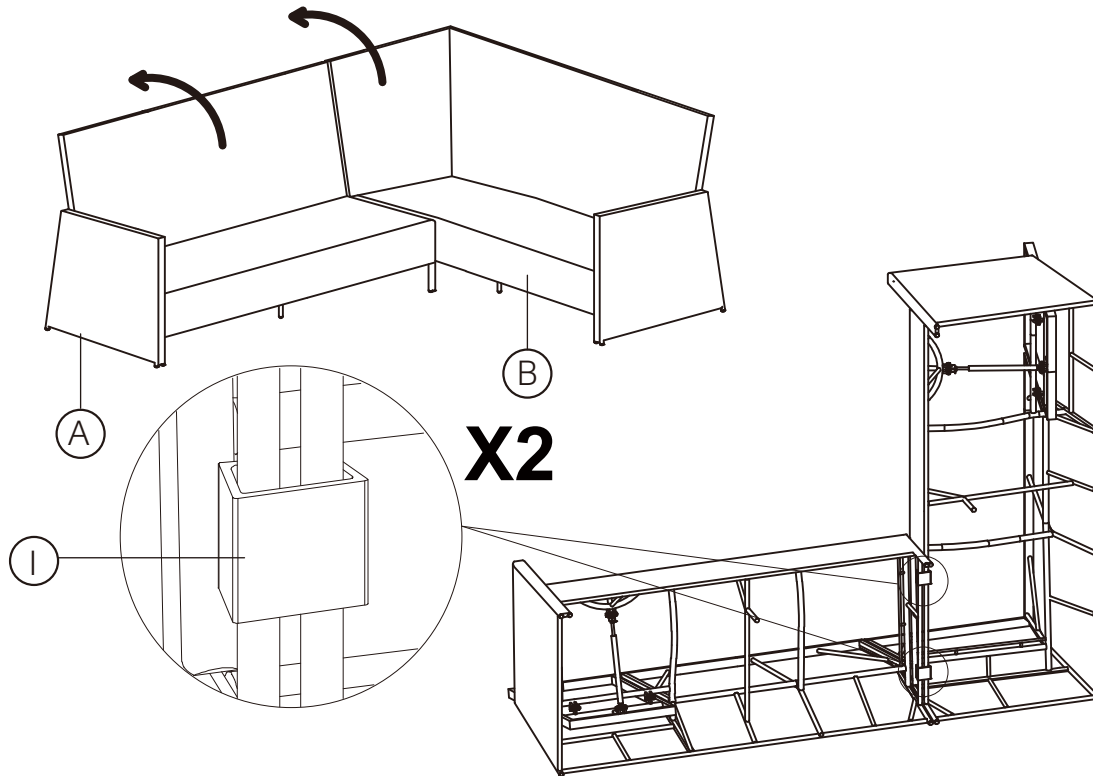
I	 Joining clip	2
---	---	---



# ASSEMBLY INSTRUCTIONS - SOFA

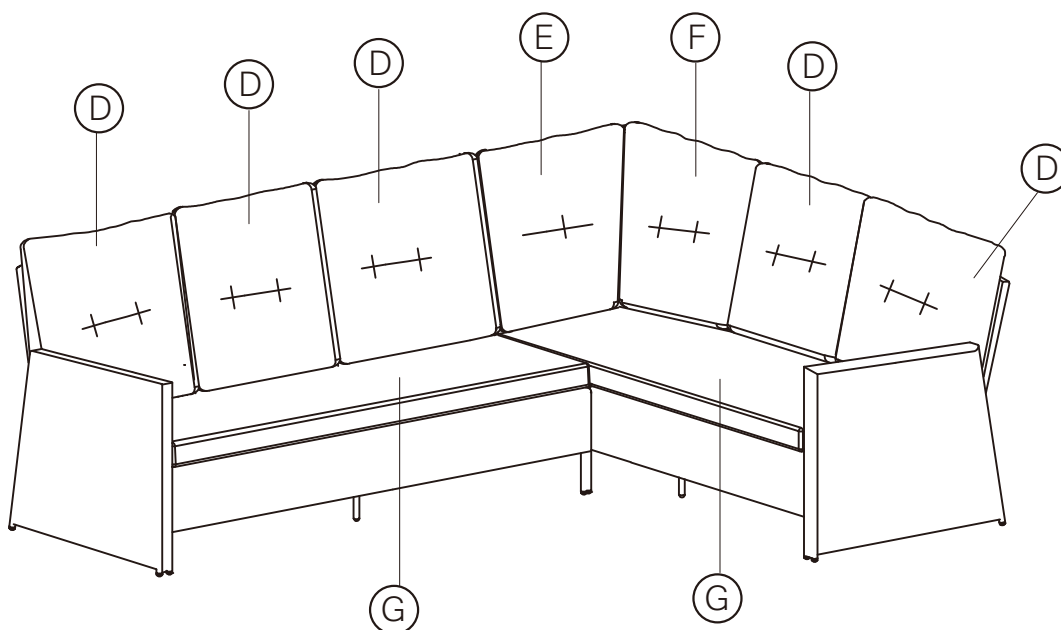
## Step 1

Use joining clip **I** to combine the sofa **A** and corner **B** together.



## Step 2

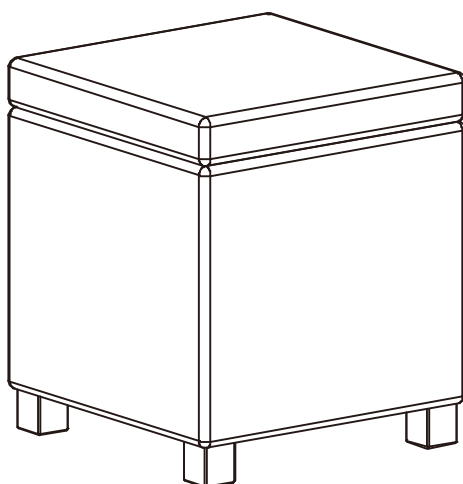
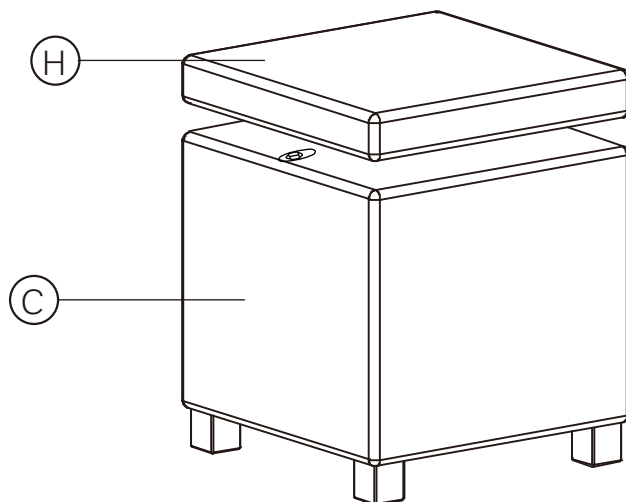
Put the seat cushions **G** and back cushions **D**, **E** and **F** onto the sofa and corner, as the picture shows.



## ASSEMBLY INSTRUCTIONS - STOOL

### Step 3

Put the seat cushion **H** onto the stool **C**.



**ASSEMBLY COMPLETE**