

SOVEREIGN

1200W WET & DRY VACUUM CLEANER

Item No. 594453

Model No. ZD110P-20L-1200W



Technical Support & Parts

01904 727509

Mon-Fri 9am-5pm Sat-Sun 11am-4pm

www.coreservice.co.uk

ORIGINAL INSTRUCTION MANUAL

Please read these instructions fully before starting assembly.

HHGL Limited, MK9 1BA; HHGL (ROI) Limited, D02 X576

Mar 21

CONTENTS

Contents	2
General safety warnings	3
Warning symbols	6
In the box	7
Intended use	8
Assembly	8
Operation	12
Maintenance and storage	16
Technical data	16
Recycling and disposal	17
UK plug	17
Getting help	18
Warranty	18

GENERAL SAFETY INFORMATION



WARNING! Read all safety warnings, instructions, illustrations and specifications provided with this power tool.

Failure to follow all instructions listed below may result in electric shock, fire and/or serious injury.

Save all warnings and instructions for future reference.

The term 'power tool' in the warnings refers to your mains-operated (corded) power tool or battery-operated (cordless) power tool.

This appliance can be used by children aged 8 years and above, and persons with reduced physical, sensory, or mental capabilities, or lack of experience and knowledge, if they have been given supervision or instruction concerning the use of the appliance in a safe way and understand the hazards involved. Children must not play with the appliance. Cleaning and maintenance must not be undertaken by children without supervision.

If the supply cord is damaged, it must be replaced by the manufacturer, its service agent or similarly qualified persons in order to avoid a hazard.

1. **IMPORTANT:** Read the operating instructions before assembling and using for the first time.
2. Check that the mains voltage is the same as the mains voltage specified on the rating plate.

3. Pull out the power plug in the following circumstances: Whenever the appliance is not in use, before opening the appliance, and before all cleaning and maintenance work.
4. Never clean the appliance with solvents.
5. Never pull the plug out of the socket by pulling the cable.
6. Never leave the appliance unattended when ready for use.
7. Keep away from children and pets.
8. Take care to ensure that the power cable does not get damaged by being run over, crushed, pulled or similar.
9. Do not use the appliance if the power cable is in less than perfect condition.
10. If the power cable has to be replaced, the replacement must comply with the design specifications of the manufacturer.
11. Never vacuum the following: Burning matches, smoldering ash and cigarette butts, combustible, caustic, flammable or explosive substances, vapour or liquids.
12. This appliance is not suitable for vacuuming dust, which can be harmful to health.
13. Store the appliance in a dry indoor location.
14. Never use the appliance if it is damaged.

15. Have the appliance serviced only by an authorised after-sales service outlet.
16. Use the appliance only to carry out work for which it has been designed.
17. Take extra care when cleaning steps.
18. Use only genuine accessories and spare parts.

Service

Have your power tool serviced by a qualified repair person using only identical replacement parts. This will ensure that the safety of the power tool is maintained.

WARNING SYMBOLS



Warning!



Read the instructions



Wear ear protection



Wear eye protection



Wear a dust mask



Class II tool



The product complies with the applicable European directives, and an evaluation method of conformity for these directives was done.



Recycle unwanted materials instead of disposing of them as household waste. All tools, hoses and packaging should be sorted, taken to the local recycling centre and disposed of in an environmentally safe way.

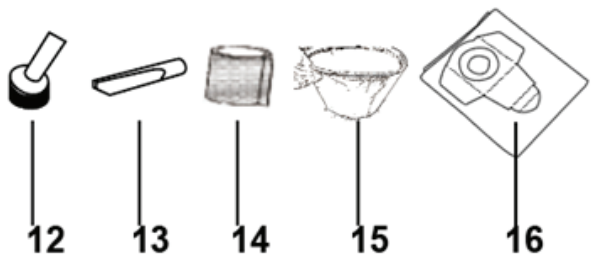
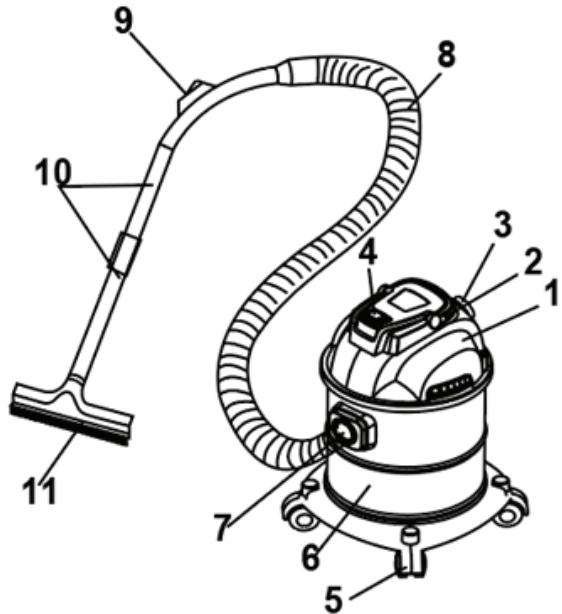


The product complies with the applicable UK directives and an evaluation method of conformity for these directives was followed.

IN THE BOX

Description

1. Appliance head
2. Handle
3. Blow hose outlet
4. On/Off Switch
5. Wheels x 4
6. Container
7. Suction hose outlet
8. Flexible hose
9. Air regulator
10. Extension tubes x 2
11. Floor tool
12. Brush nozzle
13. Crevice nozzle
14. Foam filter
15. Cloth filter
16. Paper dirt bag



INTENDED USE

The wet and dry vacuum cleaner is designed for wet and dry vacuuming using the appropriate filter. This product is suitable for private domestic use, i.e. cleaning dirt, debris and liquids from garages, workshops, courtyards, patios and gardens.

This product is not suitable for the vacuuming of combustible, explosive or harmful substances. The product is to be used only for its prescribed purpose. Any other use is deemed to be a case of misuse. The user/operator and not the manufacturer will be liable for any damage or injuries of any kind caused as a result of this.

ASSEMBLY

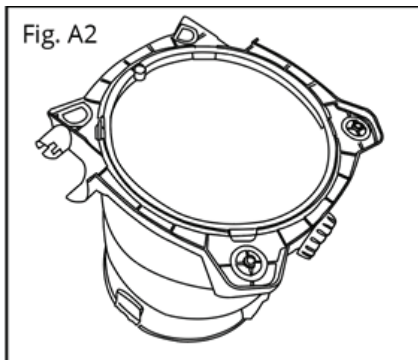
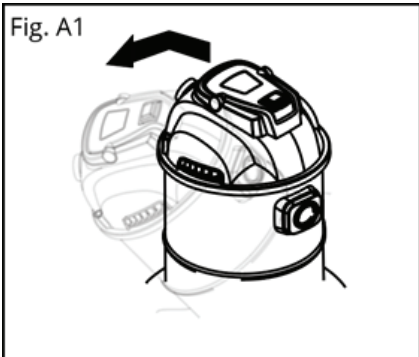


WARNING! To prevent serious injury from accidental operation, turn the power switch of the vacuum off and unplug the appliance from its electrical outlet before performing any procedure in this section.

Before you connect the vacuum to a mains supply, make sure that the data on the rating/technical label is identical to the mains data.

Assemble the seat (See Fig. A1, A2)

1. Remove the appliance head from the container by unlocking the side locking latch pulling them outwards, then upwards. Then turn the tank upside down.
2. Fit the seat by placing the seat into the container bottom. Firmly push the container into the seat.
3. When the seat is fitted, turn the product the right way up and re-attach the appliance head, ensuring you align the notches on the ridge of the container lip with the side locking latches, and secure the side locking latch in position.



Assemble the filter



WARNING! Never use the wet/dry vacuum cleaner without a filter!



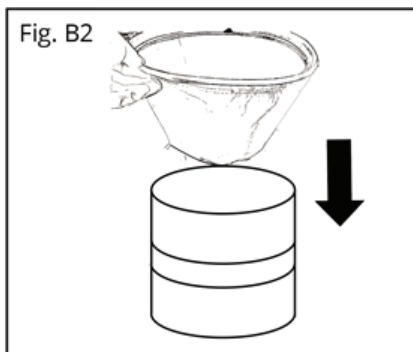
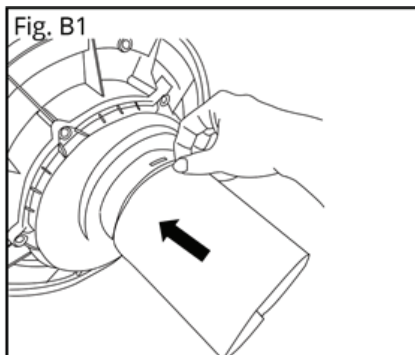
WARNING! Always ensure that the filters are properly secured!

Assemble the foam filter (See Fig. B1)

For wet vacuuming, slip the foam plastic filter provided over the filter basket.

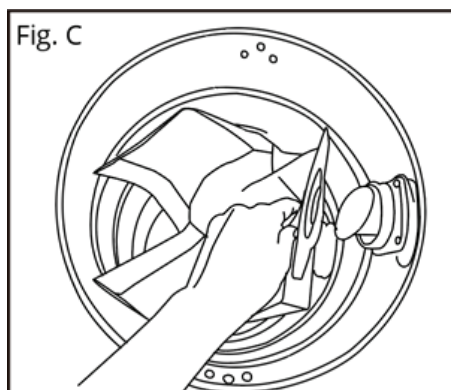
Assemble the cloth filter (See Fig. B2)

For dry vacuum cleaning, always use the cloth filter provided. Mount the cloth filter so that no air is sucked through the filter without being filtered.



Assembling the paper dirt bag (See Fig. C)

For vacuuming fine, dry dirt it is recommended that you fit the paper dirt bag. Slip the paper dirt bag over the vacuuming hole. The dirt bag is suitable for dry vacuuming only. The dirt bag makes it easier to dispose of the sucked-in dust.



Assemble the flexible hose

Connect the flexible hose to the flexible hose outlet, depending on the application required:

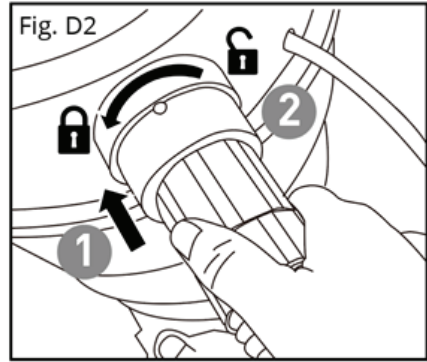
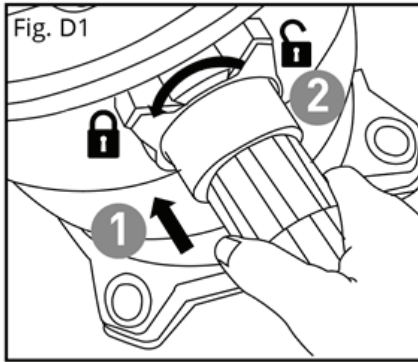
- Vacuuming

Connect the flexible hose to the flexible suction hose outlet on the container by inserting the hose into the outlet and aligning the locking pin on the end of the flexible hose with the groove

on the outlet. Turn the flexible hose to the right to secure the hose into position. (See Fig. D1)

- Blowing

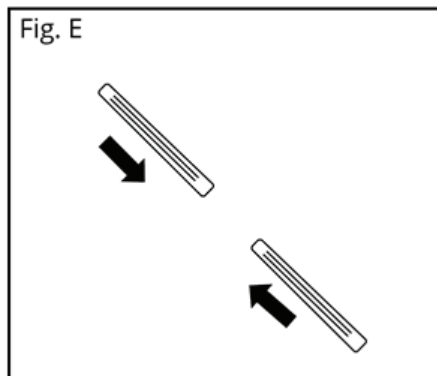
Connect the flexible hose to the flexible blow hose outlet on the appliance head by inserting the hose into the outlet. (See Fig. D2)



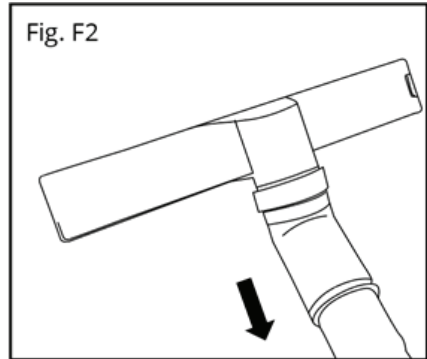
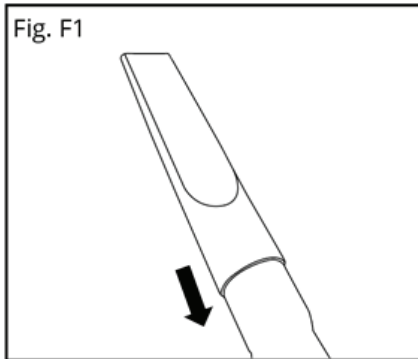
Fitting the extension tubes and tools

1) To fit the extension tube to the end of the flexible hose, apply the larger opening end of the extension tube over the end of the flexible hose.

2) Connect the 2 extension tubes one by one. (See Fig. E)



3) For vacuuming, either the floor tool or crevice nozzle can be added to the end of the telescopic extension tube by simply pushing them onto the extension tube. (See Fig. F1, F2)



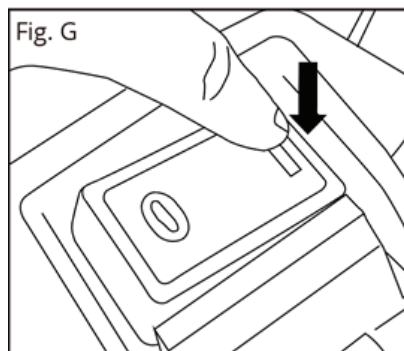
OPERATION

Switching on and off

To start the machine, depress the on/off switch to 'I'.

To switch off, depress the on/off switch to 'O'. (See Fig. G)

NOTE: When the maximum filling capacity is reached, switch off the machine immediately. Before opening and emptying, always pull the plug from the socket.



Dry vacuuming



WARNING! DO NOT use the foam filter for dry vacuuming applications.

NOTE: It is recommended to use paper dirt bag for dry vacuuming applications, even though the Wet & Dry Vacuum can normally be used without the paper dirt bag.

- 1) Ensure the container is completely dry and free from dust and dirt.
- 2) Ensure the cloth filter is fitted already. If not, install the cloth filter first. Ensure you have already fitted the flexible hose, extension tube, and, if required, the floor tool or crevice nozzle for dry vacuuming applications.

IMPORTANT: ALWAYS ensure the cloth filter is securely fitted before starting the vacuum cleaner.

- 3) Fit the paper dirt bag in the container if required.

NOTE: The paper dirt bag is only for dry vacuum cleaning.

- 4) Plug the power cord into the mains power outlet and turn on.
- 5) To commence vacuum mode operation, press the 'I' on the ON/OFF switch.
- 6) To turn off vacuum mode, press the 'O' on the ON/OFF switch.

WARNING! Check the cloth filter regularly for any blockages which may reduce the suction and cause motor overheating. Clean the cloth filter (following the cleaning instructions) and empty the container if required.

WARNING! Check the container regularly and empty the waste collected when it is about 2/3 full.

Wet vacuuming

- 1) Ensure the container is completely dry and free from dust and dirt.
- 2) Only use the foam filter for wet vacuuming applications. Ensure you have already fitted the flexible hose, extension tubes, and, if required, the floor tool or crevice nozzle for wet vacuuming applications.

IMPORTANT: Ensure the foam filter is securely fitted before starting the Vacuum.

- 3) Plug the power cord into the mains power outlet and turn on.
- 4) To commence vacuum mode operation, press the 'I' on the ON/OFF switch.
- 5) To turn off vacuum mode, press the 'O' on the ON/OFF switch.

NOTE: When wet vacuuming, the floating safety valve closes when the maximum tank level is reached. In doing so, the suction noise of the vacuum will change and become louder. When this happens, you must switch off the vacuum and empty the container.

WARNING! The Wet & Dry Vacuum is not suitable for the vacuuming of combustible liquids; danger of explosion and fire! Do not vacuum flammable or explosive fluids; for example, petrol, oil, alcohol, solvents. Do not vacuum hot or burning dust. Do not operate the machine in rooms where the danger of an explosion exists.

- 6) To empty the container, firstly ensure you are in an area where you plan to disperse the waste water.
- 7) Remove the appliance head from the container and empty the container completely.

Blowing function

WARNING!

Wear a dust mask and eye protection (PPE) if blowing creates dust that might be inhaled.

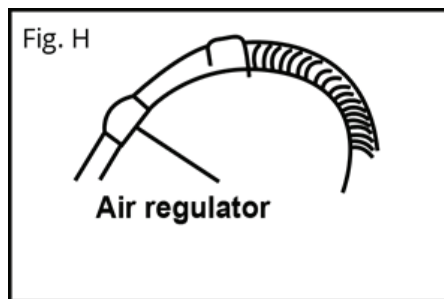
Keep bystanders clear from blowing debris.

CAUTION: Any material left in the container may be blown out, causing injury.

- 1) Make sure the container is empty and completely dry before using it as a blower.
- 2) Fit the flexible hose to the flexible blow hose outlet.
- 3) Attach extension tube if required.
- 4) Before turning ON, ensure you are firmly holding the end of the flexible hose, or extension tube if added.
- 5) Press the 'I' on the ON/OFF Switch to turn ON. To turn off, press the 'O' on the ON/OFF switch.

Air regulation

The air flow can be adjusted when the air regulation handle is connected. Slide the air block as needed to adjust the air flow (Fig. H).



MAINTENANCE AND STORAGE




IMPORTANT:

Make sure that the tool has been thoroughly cleaned before storing it in a clean, dry and safe place, out of the reach of children.

1. Switch the product 'OFF' and disconnect it from the power supply before transporting it anywhere.
2. Always carry the product on its gripping surfaces.
3. Protect the product from any heavy impact or strong vibrations which may occur during transportation in vehicles.
4. Secure the product to prevent it from slipping or falling over.

TECHNICAL DATA

Model	ZD110P-20L-1200W
Voltage/power	220V-240V~ 50Hz /1200W
Max. vacuum pressure	17kPa
Max. air flow	25L/sec
Container volume	20L
Protection class	II / 
Weight	5.7kg

RECYCLING AND DISPOSAL



Waste electrical products should not be disposed with household waste. Please recycle where facilities exist. Check with your local authority or retailer for recycling advice.

UK PLUG

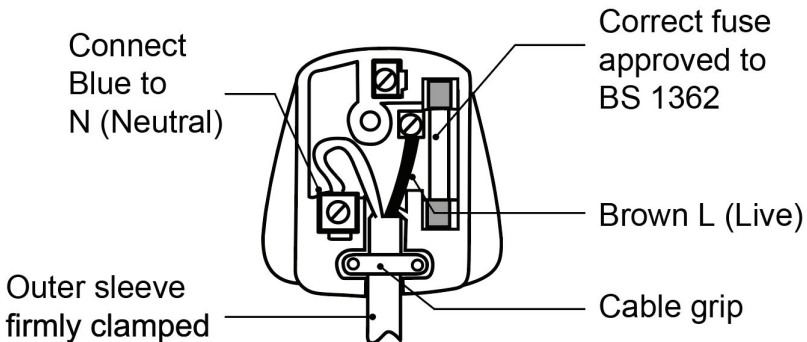
If you need to replace the fitted plug then follow the instructions below.

IMPORTANT: The wires in the mains lead are coloured in accordance with the following code: Blue-Neutral, Brown-Live.



WARNING! Never connect live or neutral wires to the earth terminal of the plug. Only fit an approved 13Amp BS1363/A plug and the correct rated fuse.

As the colours of the wire in the mains lead of this product may not correspond with the coloured markings identifying the terminals in your plug, proceed as follows: The blue wire must be connected to the terminal marked N or coloured black. The brown wire must be connected to the terminal marked L or coloured red.



GETTING HELP

Our dedicated UK-based customer helpline is open 7 days a week to assist you with assembly, parts queries and technical support. We are open during office hours but you can always send an email via **support@coreservice.co.uk**. Our experts are here to get you back enjoying your garden in no time.

For useful assembly, starting and maintenance videos, and ordering spares, please visit **www.coreservice.co.uk**.

Calling our service does not affect your statutory rights.

WARRANTY

This product is covered by a 1 year warranty.

The warranty covers any manufacturing defect in materials, workmanship and finish.

Any claim under this warranty must be made by going to your nearest Homebase store, taking your proof of purchase with you, and claims must be made within 12 months of the date of purchase.

We will offer you a free repair of the item where this is possible, or a replacement or a refund. Your statutory rights remain unaffected, in particular any rights you may have under the Consumer Rights Act 2015.

This warranty is given by HHGL Limited, MK9 1BA; HHGL (ROI) Limited, D02 X576.

Please note: This warranty does not apply to products misused or neglected and only covers domestic use. It does not apply to commercial use of the product. In addition, the warranty will be void for the following reasons: Any damage resulting from product misuse or product neglect.