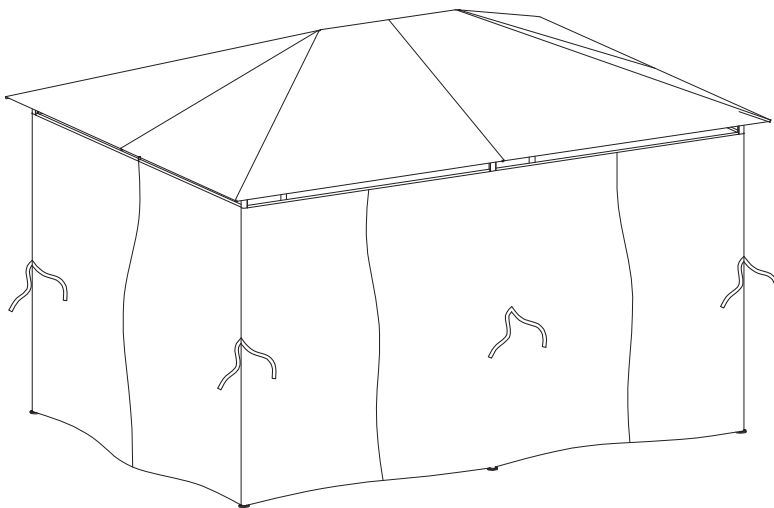


HOMEBASE

GAZEBO WITH CURTAINS

Powder-coated steel frame
Includes 1 x gazebo and curtains
H265 x W300 x D400cm



INSTRUCTION MANUAL

IMPORTANT: Please read these instructions before using the product and retain for future use.

HHGL Limited, MK9 1BA HHGL (ROI) Limited, D02 X576

SAFETY & CARE ADVICE

Please read these instructions fully before starting assembly.

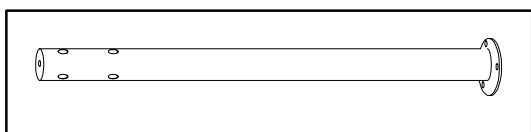
- Check you have all the components and tools listed on page 3, 4 and 5 .
- Remove all fittings from the plastic bags and separate them into their groups.
- Keep children and animals away from the work area; small parts could choke if swallowed.
- Make sure you have enough space to lay out the parts before starting.
- Do not stand or put weight on the component parts and product, as this could cause damage.
- Assemble the item as close to its final position as possible.
- Assemble on a soft, level surface to avoid damaging the unit or your floor.
- Parts of the assembly will be easier with two people.
- We do not recommend the use of power drills/drivers for inserting screws, as this could damage the unit. Only use hand screwdrivers.



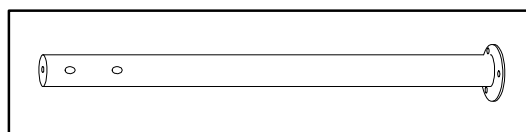
- Dispose of all packaging carefully and responsibly.
- Only clean using a damp cloth and mild detergent; do not use bleach or abrasive cleaners.
- From time to time, check that there are no loose screws on this unit.
- This product should not be discarded with household waste. Take to your local authority waste disposal centre.
- Domestic use only.
- **ATTENTION:** To avoid damage, disassemble the gazebo during bad weather, e.g. during high wind or heavy rain.
This product is intended to be used as a temporary shelter and is not designed to be used as a permanent structure.

COMPONENTS - PANELS

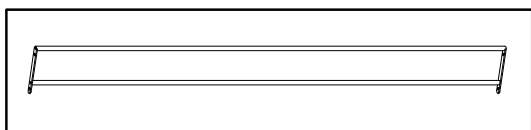
Please check you have all components listed below. If you have any missing or damaged components, please contact your local store.



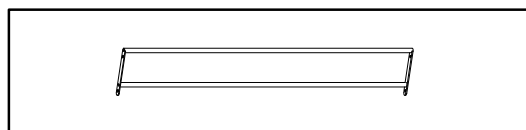
A x 4



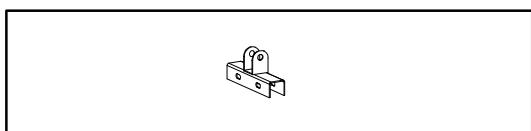
B x 2



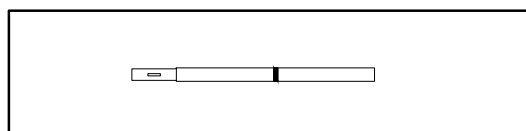
C x 4



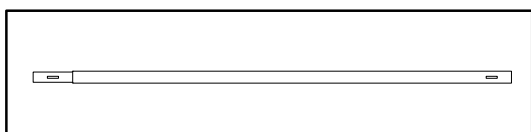
D x 4



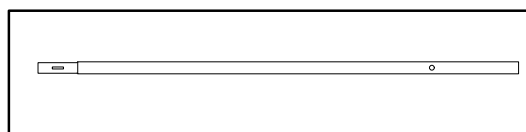
E x 2



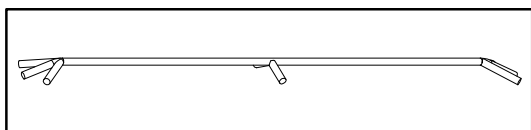
F x 4



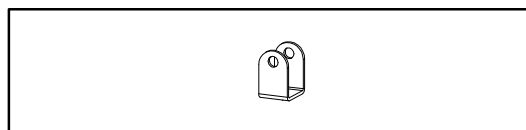
G x 4



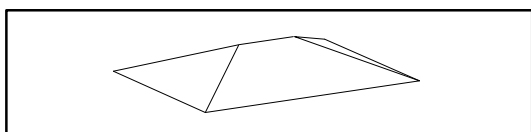
H x 4



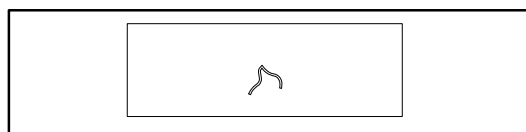
I x 1



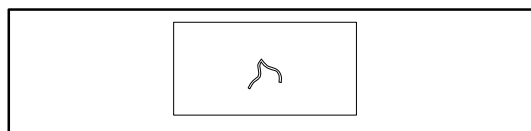
J x 6



K x 1



L x 4



M x 2

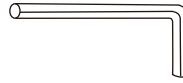
Keep this page with these instructions for future reference.

COMPONENTS - FITTINGS

Please check you have all fittings listed below. If you have any missing or damaged fittings, please contact your local store.

Note: The quantities below are the correct amount to complete the assembly. In some cases, more fitting may be supplied than required.

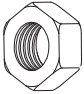
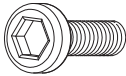

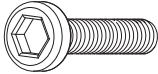




Tools required

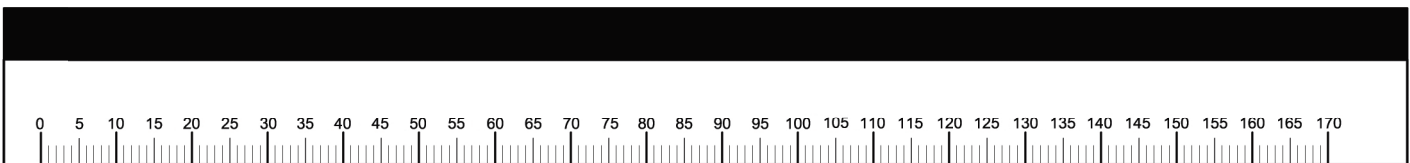


4mm Hex key (included)



10mm Nut wrench (included)

<p>X</p>  <p>M6 x Metal nut x 28</p>	<p>X1</p>  <p>M6 x 15mm Bolt x 10</p>
<p>X2</p>  <p>M6 x 45mm Bolt x 8</p>	<p>X3</p>  <p>M6 x 25mm Bolt x 12</p>
<p>X4</p>  <p>M6 x 55mm Bolt x 4</p>	<p>X5</p>  <p>Nails x 12</p>
<p>X6</p>  <p>x 28</p>	<p>X7</p>  <p>x 34</p>

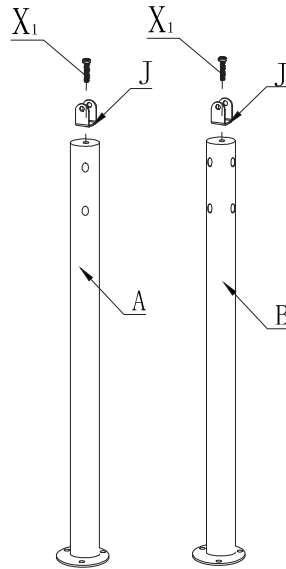


ASSEMBLY INSTRUCTIONS

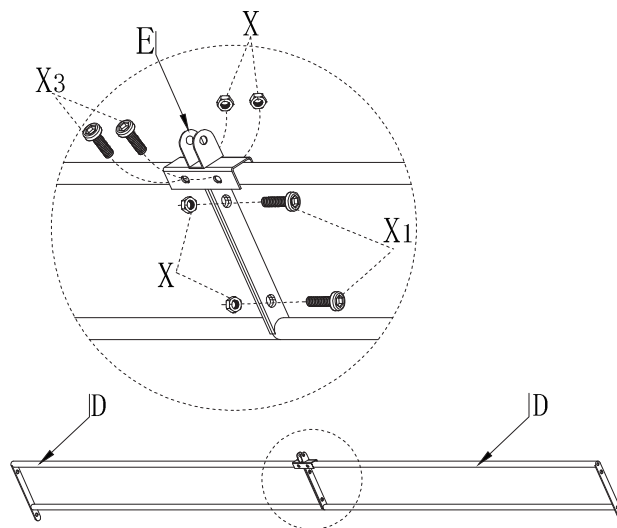
Attention:

Make sure that each bolt needed for all steps matches the corresponding figure to ensure proper assembly.

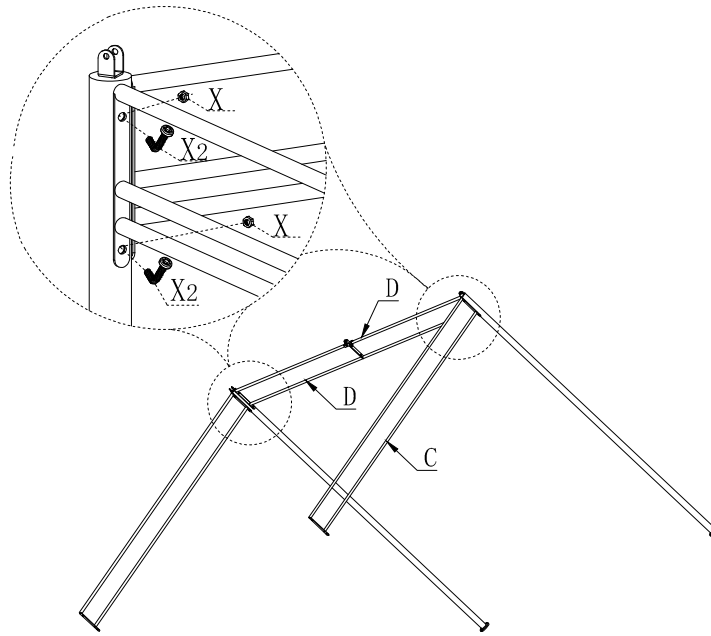
Step 1



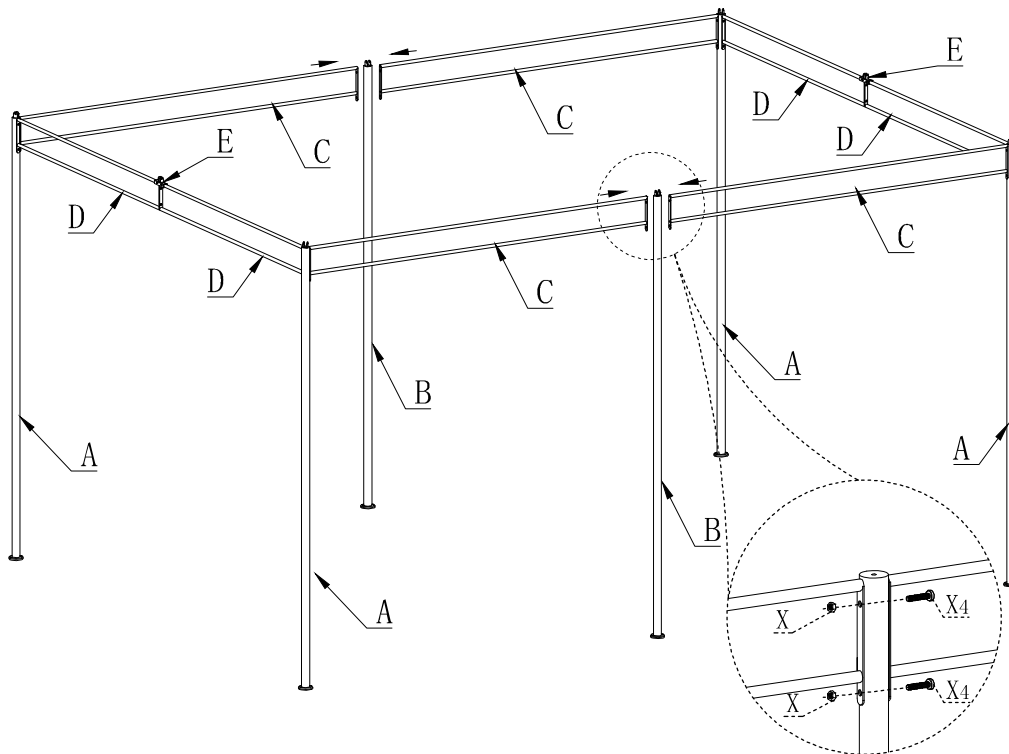
Step 2



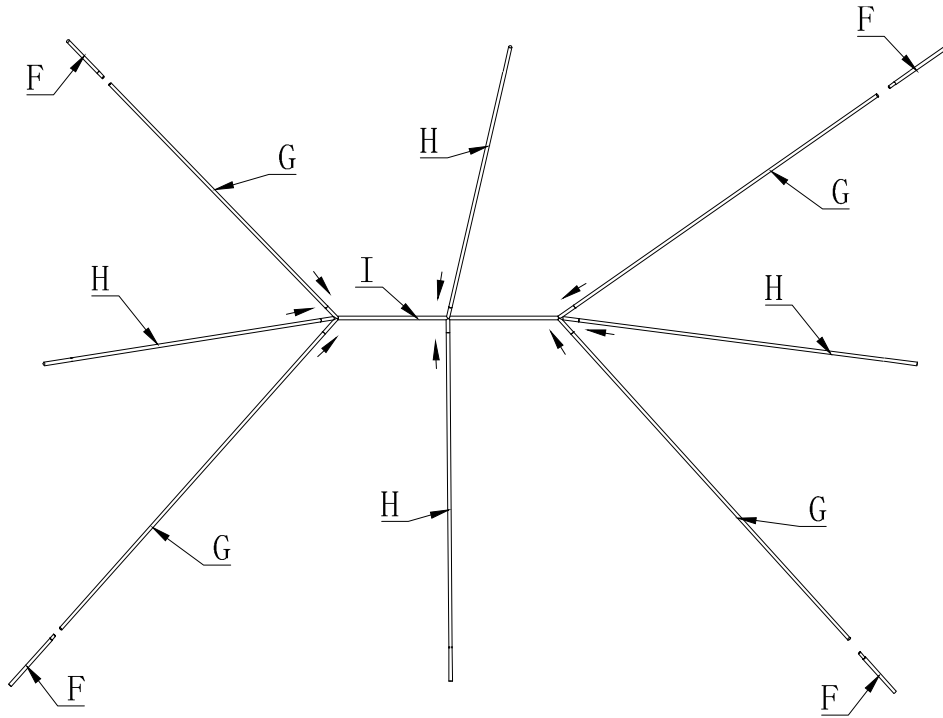
Step 3



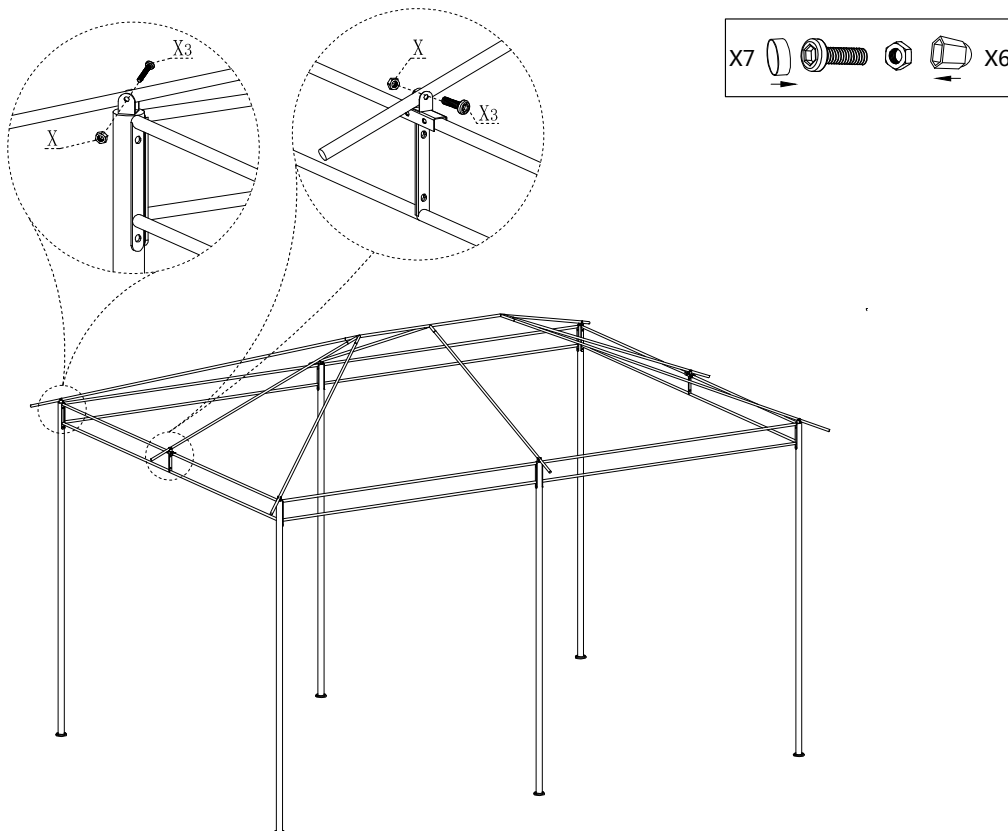
Step 4



Step 5



Step 6



Step 7

