

**HARTINGTON**

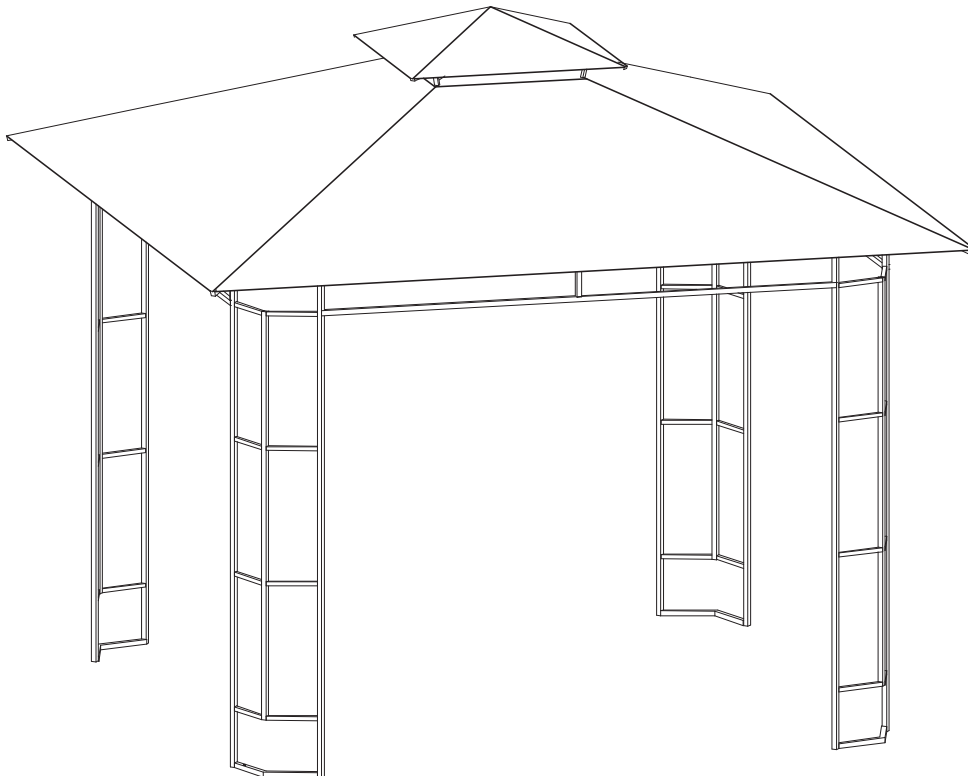
FLORENCE COLLECTION

# Gazebo with Rattan Panels

Powder-coated steel frame

Includes 1 x gazebo and panels

H260 x W300 x D300cm



**Important**

Please read these instructions before using the product. Retain instructions for future use.

HHGL Limited, MK9 1BA; HHGL (ROI) Limited, D02 X576

## SAFETY & CARE ADVICE

Please read these instructions fully before starting assembly.

- Check you have all the components and tools listed on pages 3 and 4.
- Remove all fittings from the plastic bags and separate them into their groups.
- Keep children and animals away from the work area; small parts could choke if swallowed.
- Make sure you have enough space to lay out the parts before starting.
- Do not stand or put weight on the component parts and product, as this could cause damage.
- Assemble the item as close to its final position as possible.
- Assemble on a soft, level surface to avoid damaging the unit or your floor.
- Parts of the assembly will be easier with two people.
- We do not recommend the use of power drills/drivers for inserting screws, as this could damage the unit. Only use hand screwdrivers.
- Domestic use only.
- Dispose of all packaging carefully and responsibly.

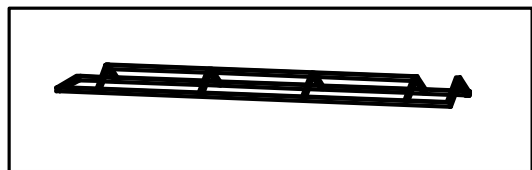


## IMPORTANT INFORMATION

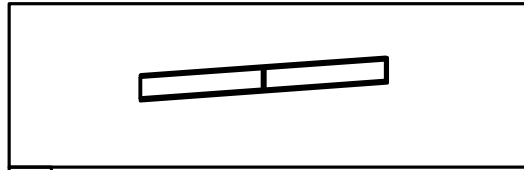
- Only clean using a damp cloth and mild detergent; do not use bleach or abrasive cleaners.
- From time to time, check that there are no loose screws on this unit.
- This product should not be discarded with household waste. Take to your local authority waste disposal centre.
- ATTENTION: To avoid damage, disassemble the gazebo during bad weather, e.g. during high wind or heavy rain.  
This product is intended to be used as a temporary shelter and is not designed to be used as a permanent structure.

## COMPONENTS - PANELS

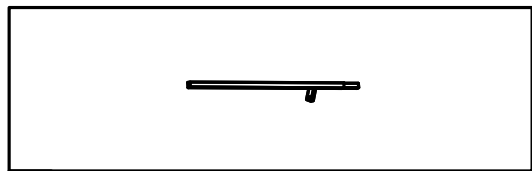
Please check you have all components listed below. If you have missing or damaged components, please contact your local store.



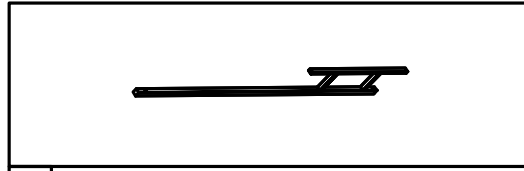
1 x 4



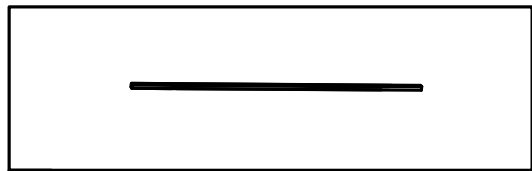
2 x 4



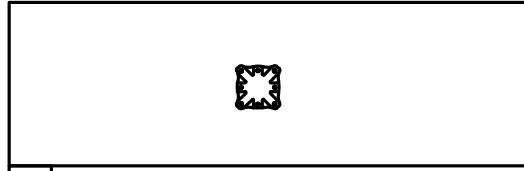
3 x 4



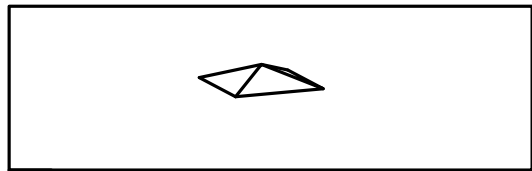
4 x 4



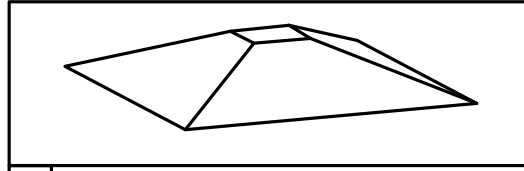
5 x 4



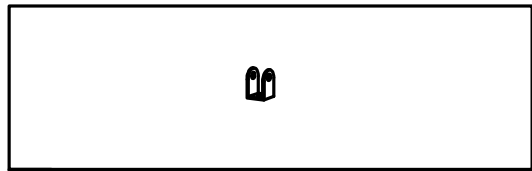
6 x 1



7 x 1



8 x 2

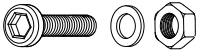
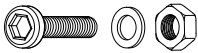
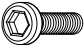
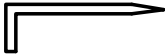


16 x 8

## COMPONENTS - FITTINGS

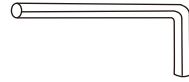
Please check you have all fittings listed below. If you have any missing or damaged fittings, please contact your local store.

**Note:** The quantities below are the correct amount to complete the assembly. In some cases, more fittings may be supplied than required.

<p>10</p>  <p>M6x30 x 8</p>	<p>11</p>  <p>M6x35 x 8</p>
<p>12</p>  <p>M6*15</p> <p>M6x15 x 24</p>	<p>15</p>  <p>Nails x 8</p>

## Tools required (included)

13



4mm Allen key

14

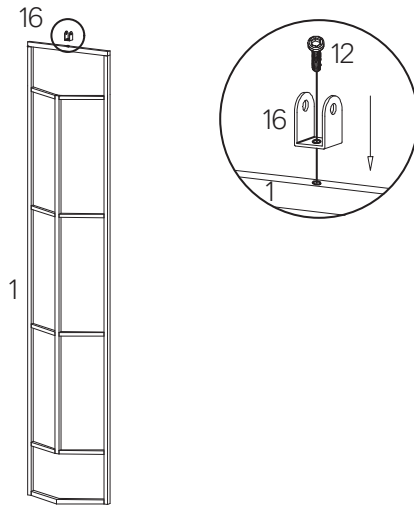


10mm Nut wrench

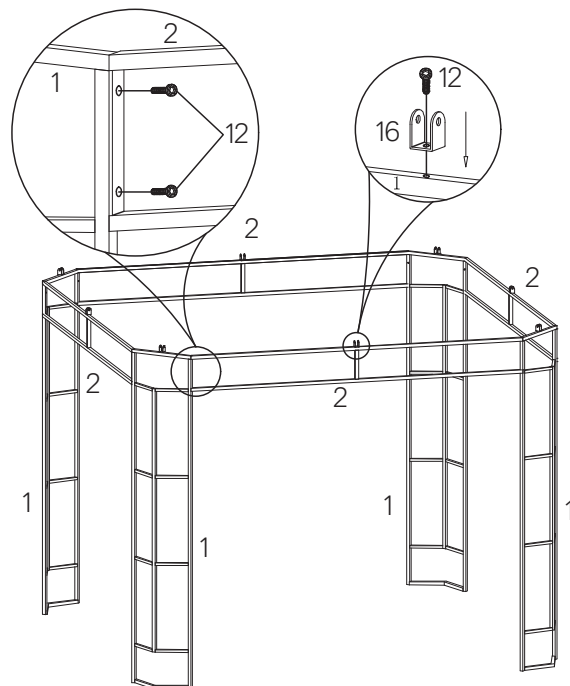
# ASSEMBLY INSTRUCTIONS

**Note:** Make sure that each bolt needed for all steps matches the corresponding illustration to ensure proper assembly.

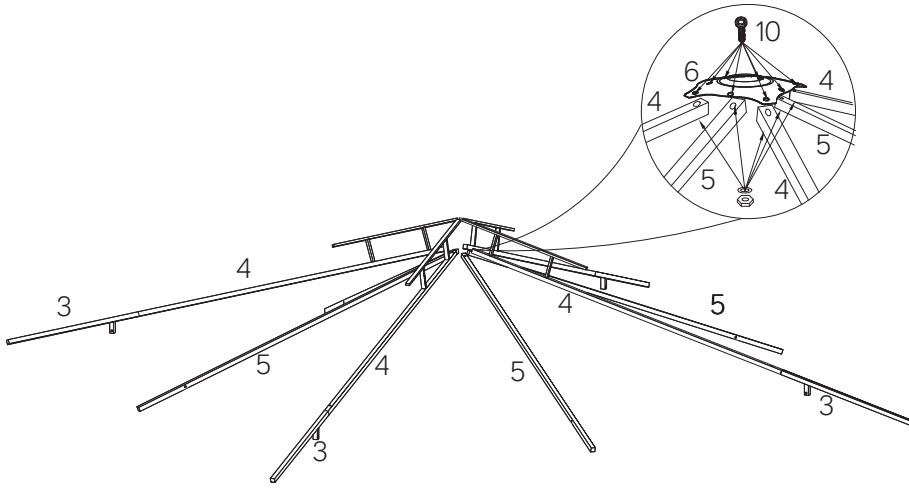
## Step 1



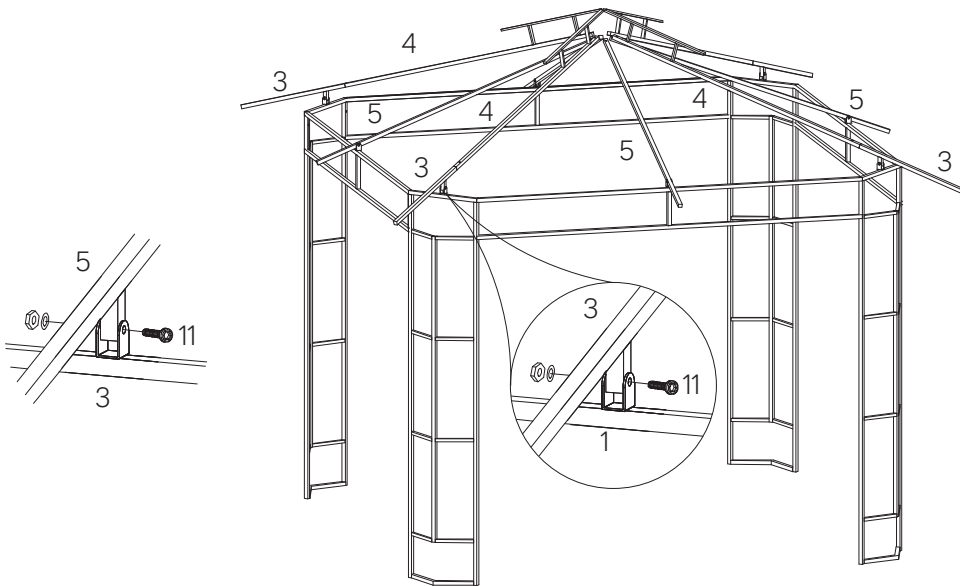
## Step 2



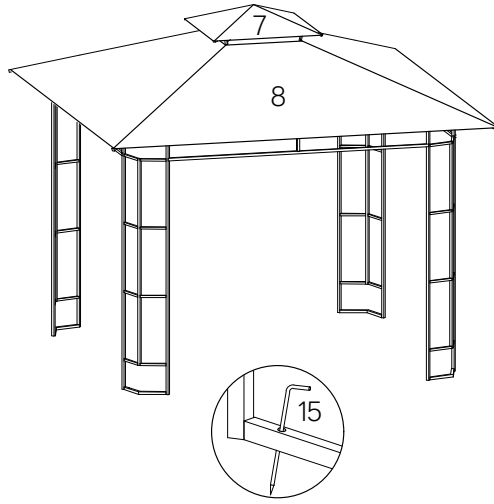
**Step 3**



**Step 4**



**Step 5**



**ASSEMBLY COMPLETE**