

**HOMEBASE**

# BBQ GAZEBO

Powder-coated steel frame  
Includes 1 x gazebo  
H260 x W250 x D150cm



## INSTRUCTION MANUAL

**IMPORTANT:** Please read these instructions before using the product. Retain instructions for future use.

HHGL Limited, MK9 1BA HHGL (ROI) Limited, D02 X576

## SAFETY & CARE ADVICE

Please read these instructions fully before starting assembly.

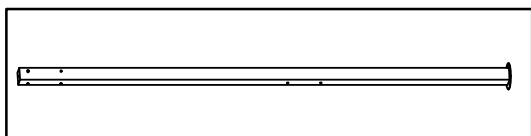
- Check you have all the components and tools listed on page 3, 4 and 5 .
- Remove all fittings from the plastic bags and separate them into their groups.
- Keep children and animals away from the work area; small parts could choke if swallowed.
- Make sure you have enough space to lay out the parts before starting.
- Do not stand or put weight on the component parts and product, as this could cause damage.
- Assemble the item as close to its final position as possible.
- Assemble on a soft, level surface to avoid damaging the unit or your floor.
- Parts of the assembly will be easier with two people.
- We do not recommend the use of power drills/drivers for inserting screws, as this could damage the unit. Only use hand screwdrivers.



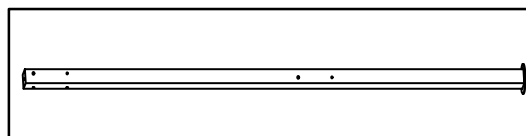
- Dispose of all packaging carefully and responsibly.
- Only clean using a damp cloth and mild detergent; do not use bleach or abrasive cleaners.
- From time to time, check that there are no loose screws on this unit.
- This product should not be discarded with household waste. Take to your local authority waste disposal.
- Domestic use only.
- ATTENTION: To avoid damage, disassemble the gazebo during bad weather, e.g. during high wind or heavy rain.  
This product is intended to be used as a temporary shelter and is not designed to be used as a permanent structure.

## COMPONENTS - PANELS

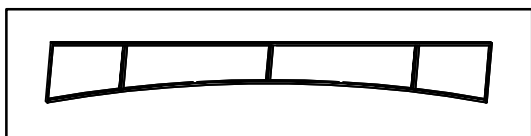
Please check you have all components listed below. If you have any missing or damaged components please contact your local store.



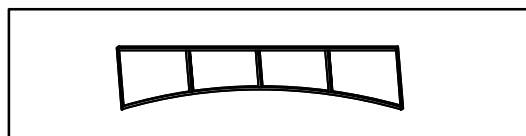
A x 2



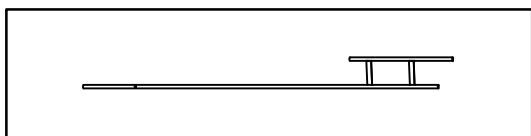
B x 2



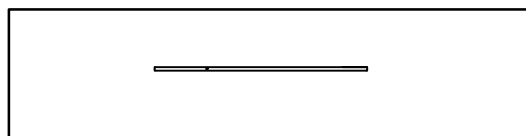
C x 2



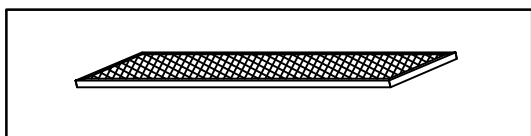
D x 2



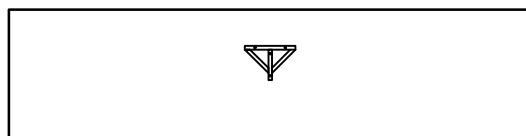
E x 4



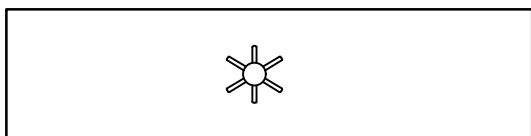
F x 2



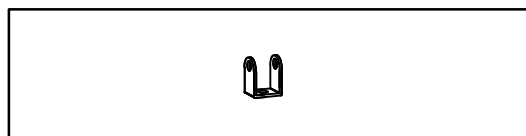
G x 2



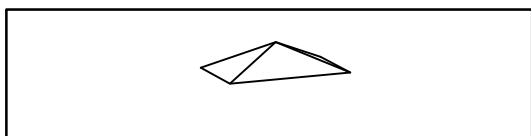
H x 4



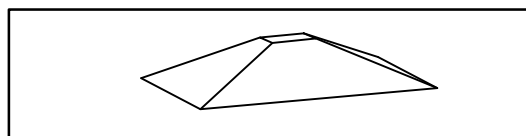
I x 1



J x 6



M x 1

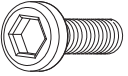
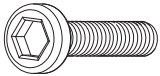
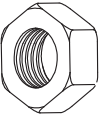



N x 1

## COMPONENTS - FITTINGS

Please check you have all fittings listed below. If you have any missing or damaged fittings, please contact your local store.

Note: The quantities below are the correct amount to complete the assembly. In some cases, more fitting may be supplied than required.

<p>X1</p>  <p>M6 x 15mm Bolt x 38</p>	<p>X3</p>  <p>M6 x 30mm Bolt x 6</p>
<p>X</p>  <p>M6 x Metal nut x 6</p>	<p>X4</p>  <p>Nails x 8</p>

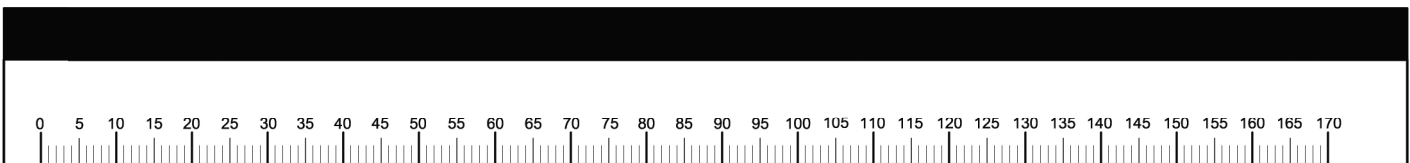
## Tools required



4mm Hex key (included)



10mm Nut wrench (included)

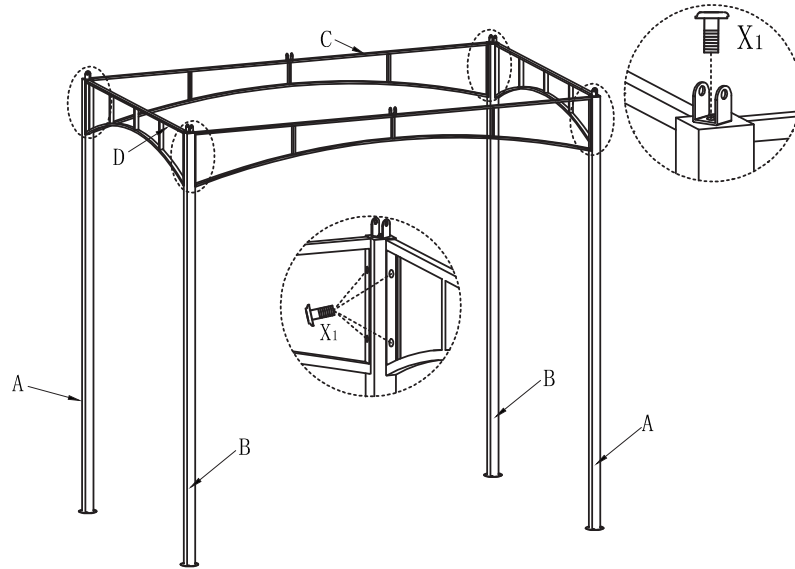


# ASSEMBLY INSTRUCTIONS

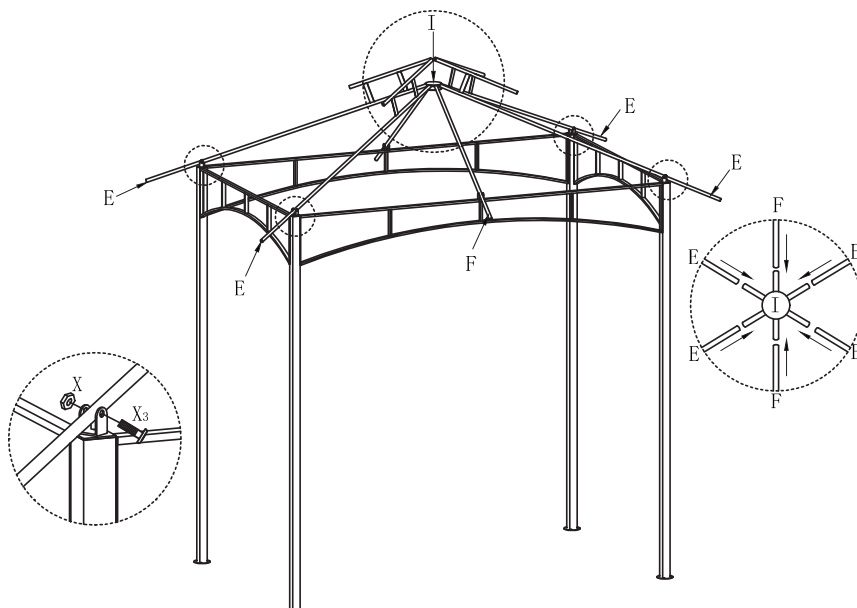
## Attention:

Make sure that each bolt needed for all steps matches the corresponding figure to ensure proper assembly.

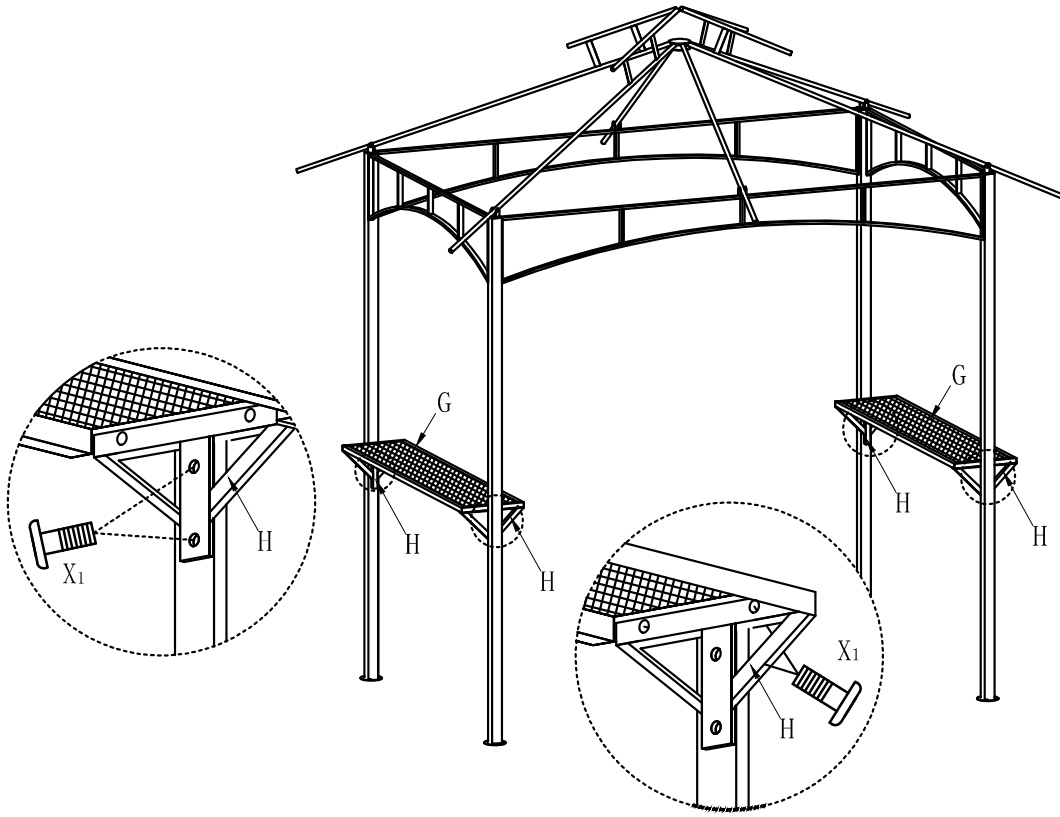
## Step 1



## Step 2



Step 3



Step 4

