



# HOMEBASE

## WOODEN LOG STORE

### INSTRUCTION MANUAL

**IMPORTANT:** Please read these instructions before using the product and retain for future use.

HHGL Limited, MK9 1BA  
HHGL (ROI) Limited, D02 X576

# ASSEMBLY INSTRUCTIONS

## BEFORE YOU BEGIN

Please check that you have all of the parts before starting assembly.  
A full list of the parts and step-by-step instructions are given below.

## NOTE:

We do not recommend the use of a power drill/driver for inserting screws, as this could damage the product. Only use a hand screwdriver.

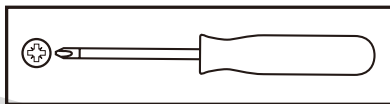


## PARTS LIST

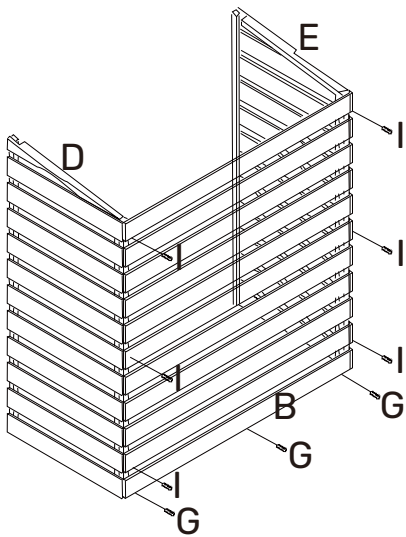
PART REF.	DESCRIPTION	DIAGRAM	QTY.	PART REF.	DESCRIPTION	DIAGRAM	QTY.
A	Top panel		x 1	E	Left side panel		x 1
B	Back panel		x 1	F	Bottom shelf		x 1
C	Shelf		x 1	G	Screws (3.5*25)		x 3
				H	Screws (3.5*35)		x 4
D	Right side panel		x 1	I	Screws (3.5*45)		x 10
				J	Screws (3.5*50)		x 2

## TOOLS REQUIRED

Cross-head screwdriver (not provided)

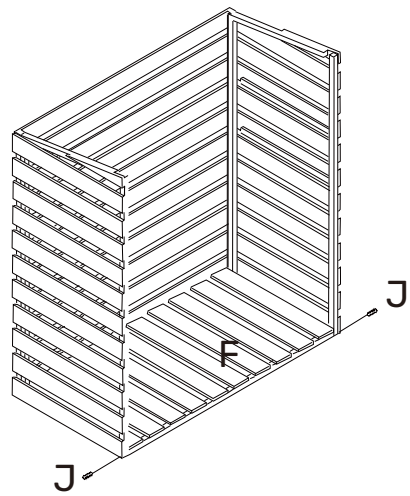


**1**



- B x 1
- D x 1
- E x 1
- G x 3
- I x 6

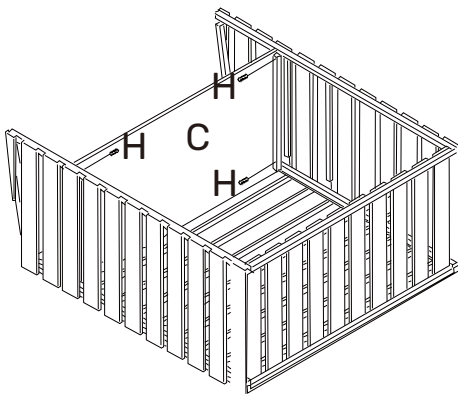
**2**



- F x 1
- J x 2

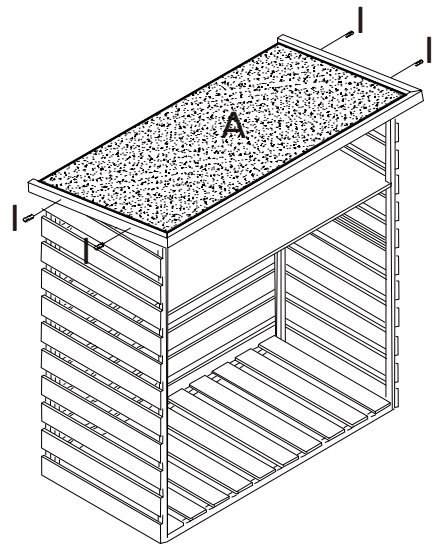
**3**

- C x 1
- H x 4



**4**

- A x 1
- I x 4



Your log store is now ready for use.