

POWERBASE

2000W Electric
Pressure Washer 578219

Instruction Manual

IMPORTANT!
Please read these
instructions fully before
starting assembly.



These instructions contain important information that will help you get the best from your product, ensuring it is assembled correctly and safely. If you need help or have damaged or missing parts, call the Customer Helpline on 01904 727 509.

Contents

Safety information	3
In the box	9
Assembly	21
Operation	24
Application	27
Technical Data	29
Maintenance	29
Troubleshooting	28
Recycling and Disposal	30
Getting help	30
Warranty	31

Description of Symbols

The following warning symbols appear throughout this manual and indicate the appropriate safety measures you should take when operating and maintaining the pressure washer.



Caution/Warning.



Read the operator's manual.



Disconnect the mains plug if the cord becomes damaged or entangled.



Wear ear protection.



WARNING! Never directly discharge a stream of liquid at people, animals, the unit or its electrical components.



Guaranteed sound power level value is 97 dB(A).



Machine is not suitable for connection to the potable water mains.



Class II equipment.



The product complies with the applicable European directives and an evaluation method of conformity for these directives was done.



The product complies with the applicable UK directives and an evaluation method of conformity for these directives was done.



Recycle unwanted materials instead of disposing of them as household waste. All tools, cables and packaging should be sorted, taken to the local recycling centre and disposed of in an environmentally-friendly way.

General Safety Information

Safety warnings



DANGER - 'Danger' indicates an imminently dangerous situation which, if not avoided, RESULTS in death or serious injury.



WARNING - 'Warning' indicates a potentially dangerous situation which, if not avoided, MAY RESULT in death or serious injury.



WARNING! The following safety measures must always be observed when using the equipment:

1. Read through all the instructions before using the product.
2. In order to reduce the risk of injury, do not leave the equipment unattended if children are present.
3. ALWAYS unplug the equipment before dismantling or carrying out repairs.
4. Check all safety devices are working correctly before each use. NEVER remove or modify any part of the gun or the appliance.
5. We recommend the use of an earth-leakage protection device (maximum rated breaking current 30mA).
6. This equipment is designed for use at temperatures between 0 and 40 degrees.

7. Do not use the equipment in extremely cold areas, to avoid freezing.
8. Do not use the equipment when you are tired or under the influence of alcohol or drugs.
9. Ensure that the working area is clear of other people.
10. Do not reach too far forward and ensure that you are standing on a stable surface. Ensure that you are always standing securely and not likely to lose balance suddenly.
11. Ensure there is a constant supply of water when the machine is switched on. Damage may occur if there is no water circulating.
12. Always wear hearing protection, protective eye wear, protective clothing, gloves and safety footwear (PPE) when using or servicing the equipment.
13. Never have your hands or fingers in front of the spray nozzles when the machine is switched on.
14. Never try to block or redirect a leak with a part of your body.
15. Always follow the manufacturer's instructions on the label of the cleaning agent. Always protect your eyes, skin and respiratory tracts when using cleaning agents.

1. Avoid skin contact with detergents, in particular contact with eyes! If detergent gets in your eyes flush your eyes with clean water, and seek immediate medical attention.
2. Remain attentive and concentrate at all times while working. Pay attention to what you are doing.

Handle the spray nozzles with care. Do not point the jet towards other people.

This machine may only be used by adequately-instructed persons.

Always take the gun off the lance before removing dirt from the tip.

Always apply the safety lock on the trigger even if you are only stopping briefly.

Appliances should not be used by children. Children should be supervised to ensure that they do not play with the equipment.

This machine can be used by people with reduced physical, sensory or mental capabilities or lack of experience and knowledge, if they have been given supervision or instruction concerning the use of the machine in a safe way and understand the hazards involved.



WARNING - If the cable is damaged, have it replaced by the manufacturer, the manufacturer's repair service or by a specialist with equivalent qualification in order to eliminate any risk.



WARNING - This machine has been designed for use with the cleaning agent supplied or recommended by the manufacturer. The use of other cleaning or chemical products may adversely affect the safety of the appliance.



WARNING - Misuse of the high-pressure jet can be dangerous. The jet must not be directed at other people, live equipment or the machine itself.



WARNING - Do not use the equipment if another person is within range unless they are wearing protective clothing (PPE).



WARNING - Do not point the water jet at yourself or at others in order to clean off clothing or shoes.



WARNING - Explosion hazard: DO NOT spray flammable liquids.



WARNING - High-pressure cleaners must not be operated by children or unqualified persons.



WARNING - High-pressure hoses, fittings and connectors are essential to the safety of the machine. Use only hoses, fittings and connectors recommended by the manufacturer.



WARNING - Use only original replacement parts or parts approved by the manufacturer, in order to ensure machine safety.



WARNING - Water that has passed

through the non-return valves is classed as not for drinking.



WARNING - The plug must be removed from the socket for cleaning or servicing, and before switching the machine to another function.



WARNING - The appliance must not be used if the power cable or another important part of the appliance, e.g. safety devices, high-pressure hose or spray gun is damaged.



WARNING - Always switch off the mains disconnection switch when leaving the machine unattended.



WARNING - If an extension cable is used, the plug and socket must be watertight.



WARNING - Unsuitable extension cables may be dangerous. If an extension cord is used, it should be suitable for outdoor use, and the connection has to be kept dry and off the ground. It is recommended that this is accomplished by means of a cord reel which keeps the socket at least 60mm above the ground.



WARNING - Depressing the trigger causes recoil in the spraying device. Grip the gun firmly.



WARNING - Do not use pressure greater than the working pressure of one of the components (hoses, fittings, etc.) in the system. Make sure that all

equipment and accessory components can withstand the machines maximum pressure.



WARNING - Explosion hazard.

Never spray flammable liquids and never use the high-pressure cleaner in areas containing combustible dust, vapours or flammable liquid.

Never use the appliance in a closed building or in/near an explosive environment.



WARNING - Do not direct the water jet at electrical equipment or wiring. Never remove the high-pressure hose from the machine while the system is pressurised. To depressurise the system, first turn off the power and water supply and then activate the trigger 2 or 3 times.

Never keep the trigger mechanism on the gun engaged permanently.

Never operate the machine without all components properly connected (handle, gun/lance, nozzle, etc.).



WARNING - Equipment damage.

- Check that the product is fitted with its data plate; contact your dealer if it is missing. Products without a data plate must not be used, since they cannot be identified and are potentially hazardous.
- ALWAYS turn ON the water supply before turning the high-pressure cleaners on.

- Running the pump dry can cause serious damage to the machine.
- Do not use the high-pressure cleaner without the water filter. Keep the filter clear of dirt and deposits.
- NEVER operate the high-pressure cleaner if components are broken or missing.
- Check equipment regularly and repair or replace worn or damaged components immediately.
- Use only the spray nozzle supplied.
- Never tamper with or adjust the setting of the safety valve or the safety devices.
- Never move the product by pulling on the electrical power lead.
- Do not allow vehicles to drive over the pressure hose.
- Do not move the product by pulling on the pressure hose.
- Never leave the lance unattended while the machine is running.
- Never attempt to alter the factory settings; this can damage the appliance and invalidates the warranty.
- Always grip the gun and lance firmly when starting and operating the machine.
- NEVER allow the appliance to run longer than one minute with the trigger in the OFF position. This leads to overheating and damage to the pump.

- The high-pressure cleaner is not intended to be used to pump hot water. NEVER connect to the hot water supply. This would substantially reduce the life of the pump.
- NEVER store the high-pressure cleaner outside or where it could freeze. This would seriously damage the pump.
- Press the trigger when switching from high to low pressure. Failure to do so may result in damaged equipment.
- Be aware of the recoil caused by the water jet when the machine is switched on.
- Never use the product outdoor in the rain.



CAUTION - Keep the hose away from sharp objects. Bursting hoses may cause injury.

Check the hose regularly and replace it when damaged.

Do not attempt to repair the damaged hose.



DANGER - Failure to observe these instructions may lead to serious injury and/or death.



WARNING - Reduce the electric shock hazard by keeping all connectors dry and off the floor. Do not touch the plug and/or socket with wet hands.



WARNING - Use the new hoses supplied with the machine, not the old hoses.



WARNING - During start-up, the product may generate interference on the

electricity supply system.



WARNING - Comply with the regulations of the local water supply authority. Under BSEN 12729 (Type BA) the product can be connected directly to the mains drinking water supply only if the supply hose is fitted with a backflow preventer device with drainage facility.



WARNING - Before each use, and at regular intervals, inspect for broken or worn parts and check that all metal fasteners are tight, to ensure the products components are in good condition.

Personal safety



WARNING!

RISK OF FATAL INJURY!

- Use special care when cleaning tyres. Vehicle tyres/tyre valves may become damaged or burst when handled improperly. First signs of damage include discolourations on the tyre. Damaged vehicle tyres/tyre valves pose a life threatening risk. Keep the jet at a distance of at least 30cm!
- The product is not designed for connecting to tap water. If necessary, only use with a water backflow preventer in conformity with EN12729 type BA.

- Risk of injury, do not directly discharge a stream of water in the direction of another person.
- Know how to stop the product and bleed pressure quickly; be thoroughly familiar with the controls.

Operating safety



WARNING!

- For safety reasons, high-pressure hoses, valves and couplings must be used with the pressure washer. The new hose-sets supplied with the machine are to be used. Old hose-sets should not be reused.
- High-pressure hose fittings and couplings are important for the safety of the machine. Use only hose fittings and couplings supplied by the manufacturer.
- The electric supply connection shall be made by a qualified electrician and comply with IEC 60364-1. It is recommended that the electric supply to this equipment should include either a residual current device that will interrupt the supply if the leakage current to earth exceeds 30mA for 30ms or a device that will prove the earth circuit.
- Disconnect from the electrical power supply before carrying out user maintenance.
- Do not use the machine if a supply cord or important parts of the equipment are

damaged, e.g. safety devices, high pressure hoses, or trigger gun.

- If an extension cable is used, the plug and socket outlet must be of a watertight construction.
- If the supply cord is damaged, it must be replaced by the manufacturer or its service agent or a similarly qualified person in order to avoid a hazard.
- The PVC or polychloroprene-sheathed power cord or extension cables (HO5VV-F) are acceptable for use at temperatures at or above 0°C.
- Never carry the machine by the cable or the hose. Do not carry the equipment with your finger on the On/Off switch when it is connected to the mains.



WARNING!

Remove the plug from the socket:

- When you are not using the equipment.
- When transporting the equipment.
- When it's left unattended.
- When checking or cleaning the equipment.
- When removing blockages or performing maintenance or changing accessories.
- When the cable is damaged.

- After contact with foreign bodies.
- If the machine begins to vibrate abnormally.
- Do not use the equipment near flammable liquids or gases. In case of nonobservance, there is a risk of fire explosions occurring.
- Ensure that the mains voltage matches the information on the label.
- Before each use, check the equipment, power cable and plug for damage, to avoid an electric shock.
- Damaged cables, coupling and plugs or connecting leads that are not compliant with specifications are not to be used. Remove the plug from the plug socket immediately in case of damage or cutting through the mains cable.
- Do not use the equipment when the switching action of the On/Off switch is impaired. Have damaged switches replaced at our Service Centre.
- Do not overload your machine. Work only within the indicated range of performance. For heavy work, do not use any equipment with insufficient power. Do not use your machine for purposes other than those specified.

Intended Use

This high-pressure cleaner is designed for domestic use only.

- Use to clean machines, vehicles, buildings, tools, facades, terraces, or garden equipment using a high-pressure water jet (and detergents if required).
- Only use accessories, replacement parts and detergents which are compatible with this pressure washer.
- Observe the instructions provided with these detergents.
- Any use of the machine that deviates from its intended use, and is not included in these instructions is considered unauthorised use and, therefore, relieves the manufacturer from his or her legal liability.
- There is a risk of kickback and sudden torque load against the jet spray when the spray gun is opened. Use both hands when operating the pressure washer to ensure that you are always in complete control of the spray wand.

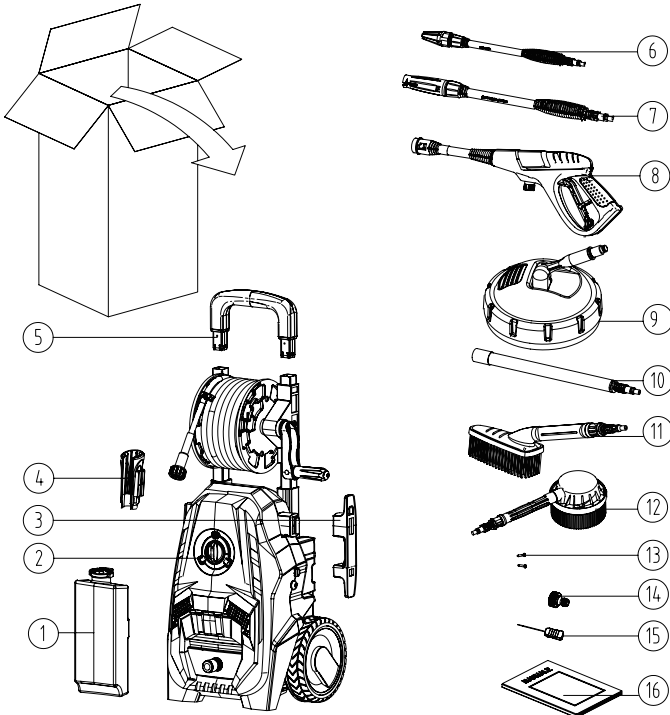
ATTENTION!

Through poor conditions of the electrical mains, short voltage drops can appear when starting the equipment. This can influence other equipment (e.g. blinking of a lamp). If the MAINS-IMPEDANCE $\max < 0.444 \text{ OHM}$, such disturbances are not expected. (You may need to contact your local supply authority for further information).

In the Box

Parts

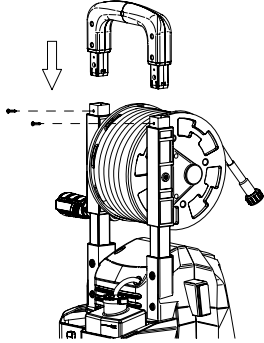
1. Detergent bottle
2. High-pressure washer
3. Cord bracket
4. Gun holster
5. Handle
6. Turbo lance
7. Spray lance
8. Spray gun
9. Patio brush
10. Patio brush lance
11. Fixed brush
12. Round brush
13. Screws x 2
14. Water inlet adaptor
15. Nozzle pin
16. Operating manual



Assembly

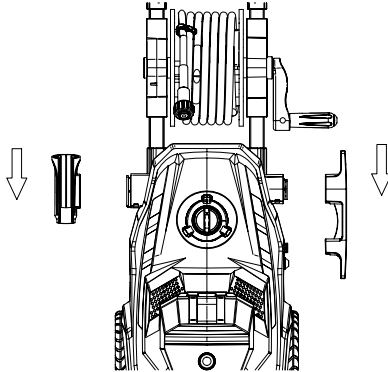
Extend the transport handle

Attach the handle (5) to the pressure washer with two screws (13).



Assemble cord bracket & gun holster

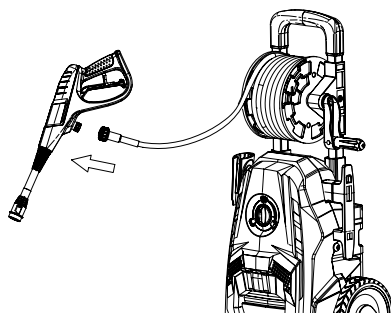
Assemble the cord bracket (3) and the gun holster (4) onto the pressure washer.



Connect the hose to the spray gun

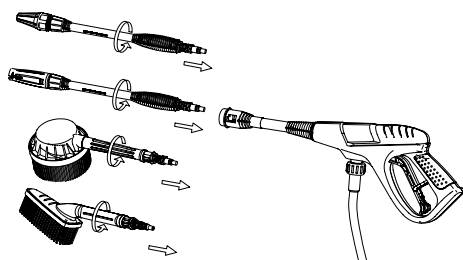
Push the high-pressure hose (5) into the spray gun (8) until it locks with an audible 'click'.

Note: Check the connection is secure by gently pulling on the high-pressure hose.

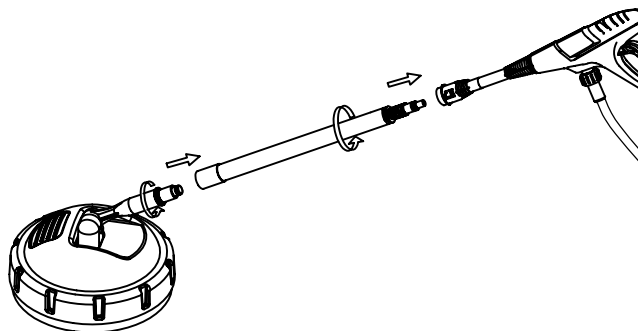


Fit the gun extension to spray gun

Push either the turbo lance (6), spray lance (7), fixed brush (11) or round brush (12) into the spray gun (8).

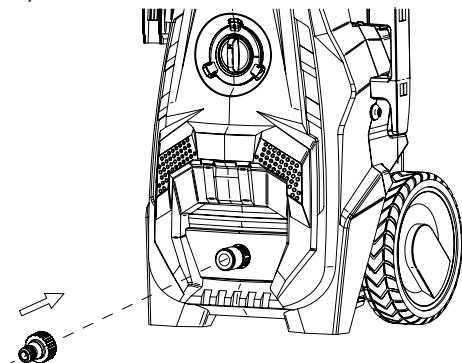


Push both the patio brush (9) and the patio brush lance (10) into the spray gun (8).



Assemble water inlet adaptor

Attach the water inlet adaptor (14) to the machines water inlet. Hand tighten only.

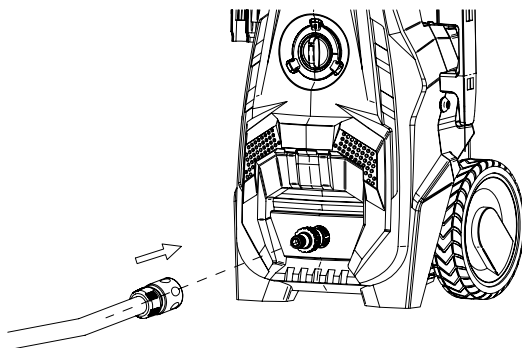


Connect garden hose & inlet adaptor

Attach a hose with a quick-connect coupling (not included) to the pressure washer.

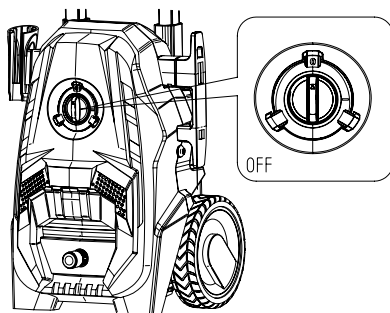
Connect garden hose and water supply

Attach garden hose to water supply and turn water on.



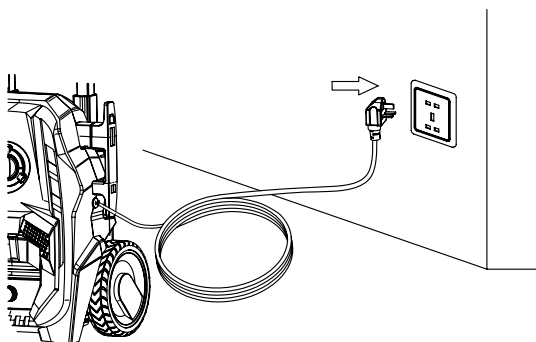
Off position

Make sure the on/off switch is in the OFF (O) position.



Connect to the mains

Insert the mains plug into the socket.



Operation



WARNING!

Wear suitable clothing, ears and eye protection (PPE) when working with the equipment. Ensure that the machine is functional before each use. Ensure that the mains voltage value matches the label on the equipment. Check the safe condition before each use:

- Check it for visual defects.
- Check that all parts of the machine have been securely fitted.
- Check if the water connector and the high-pressure pipes are tight.

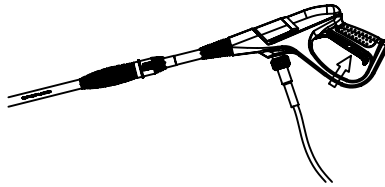
Starting and stopping

Note: Put the high-pressure washer on smooth ground. Stand in a secure and stable position.

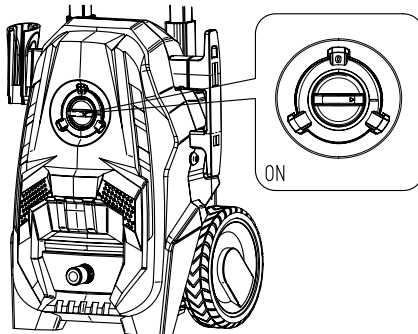
Starting:

A. Open the water inlet valve.

B. Press the safety button on the spray gun, and press the trigger until there is a steady stream of water.



C. To switch the machine on, set the On/Off switch to ON (I).



Stopping:

- A. Release the trigger.
- B. To switch the machine off, set the On/Off switch to OFF.
- C. Close the water inlet valve.

Attention!

Risk of machine damage!

Never operate the machine without water inlet, as dry running may damage the pump. Use a water filter if the inlet water is contaminated.

Working with the pressure washer

Risk of fatal injury!

Use special care when cleaning tyres. Vehicle tyres/tyre valves may become damaged or burst when handled improperly. First signs of damage included discolorations on the tyre. Damaged vehicle tyres/tyre valves pose a life-threatening risk. Keep the jet at a distance of at least 30cm!

WARNING! Risk of fatal injury!



The high-pressure jet may be dangerous when handled improperly. The jet must not be directed towards living beings (persons, animals), live equipment or the machine itself.

In case of eye contact with detergents: rinse with an abundance of clean water. Seek medical attention if necessary.

Turn on the pressure washer. Pull the trigger to operate the unit. The liquid detergent will automatically mix with the water, and be discharged through the nozzle. Apply detergent to a DRY work surface, from bottom to top.

Allow detergent to remain on the surface for a short time before rinsing. Do not allow detergent to dry on the surface.

Rinse with clean water under high pressure. On a vertical surface, rinse from the bottom up, then rinse from the top down to avoid streaking. Hold the nozzle 6-8" (15-20cm) from the work surface, at a 45° angle.

When you have finished using the detergent injection system, fill the detergent bottle with clean water. Siphon water at low pressure for one minute, so that the detergent is flushed through the system. Remove the detergent bottle, and rinse it until it is thoroughly cleaned.

Clogging of the spray tips causes the pump pressure to be too high and cleaning is immediately required. You can clean the spray tips by carefully inserting a needle, or a thin, sharp instrument (e.g. paperclip) into the tip to rid it of debris.

Attention!

Hold with both hands.

The trigger gun safety lock prevents the trigger from being engaged accidentally. The safety feature DOES NOT lock the trigger in the ON position.

Application

High pressure working

Hold the hand-held spray gun and the jet tube firmly with both hands. Be aware of the recoil when switching on the high-pressure jet.

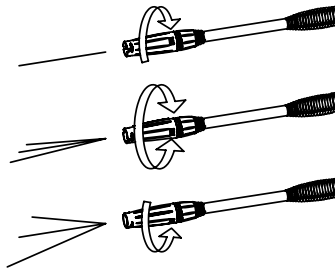
Unlock the safety button and press the trigger on the hand-held spray gun.

The high-pressure pump starts running as soon as you operate the hand held spray gun.

The high-pressure pump stops running as soon as you release the trigger on the hand-held spray gun.

Use with vario pressure nozzle

A certain angle rotation of the nozzle can be achieved without turning the gun. Adjust the spray to the desired pressure (range from zero to the working pressure) by turning the nozzle with the marking as shown.

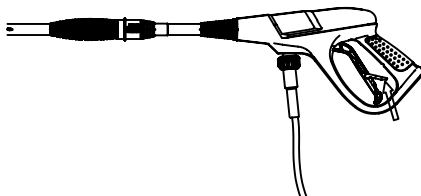


CAUTION! Jet spray adjustment is very aggressive. Do not adjust while spraying.

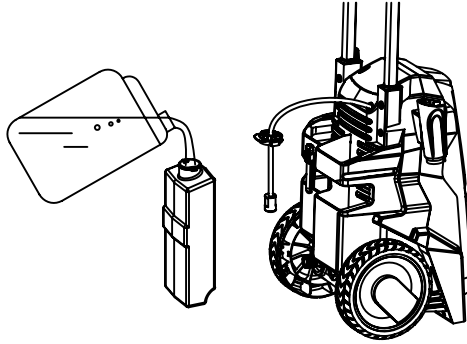
Switch off the machine off when interrupting your work for extended periods of time.

Using the detergent bottle

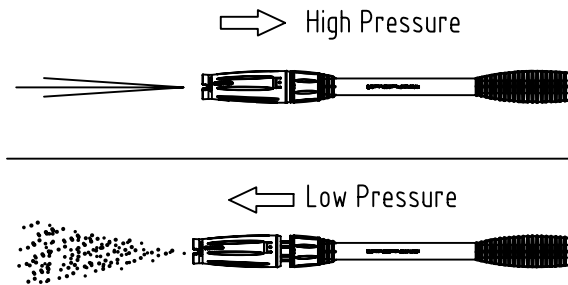
- Engage gun safety lock



- Gently pull the detergent containers out of the storage position, and fill with detergent. Push the containers back into the storage position.



- To set the machine to LOW PRESSURE, turn the nozzle to the low pressure marking, as shown.

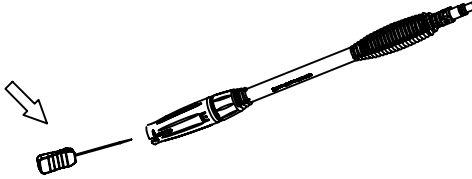


Do not use the detergent bottle the in horizontal position.

Maintenance

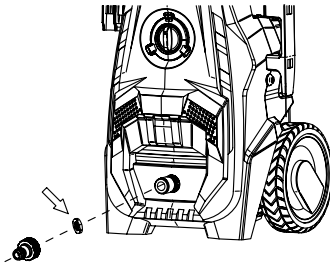
Overview of cleaning

The pressure washer is equipped with a water filter to protect the pump. If the filter is not kept clean, the water flow to the machine will be restricted and the pump may be damaged.



To clean the water filter, remove the inlet adaptor and take out the filter.

- Rinse the filter until it is free of debris and blockages.
- Replace the filter and inlet adaptor.



Storing and transport

Storing

Store the machine where it is dry and well ventilated.

When placing the machine out of service for an extended period of time, remove the cleaning agent and drain all the water left in the hoses.

Transport

If shipping, use the original packaging wherever possible.

If you need to replace the fitted plug, then follow the instructions below.

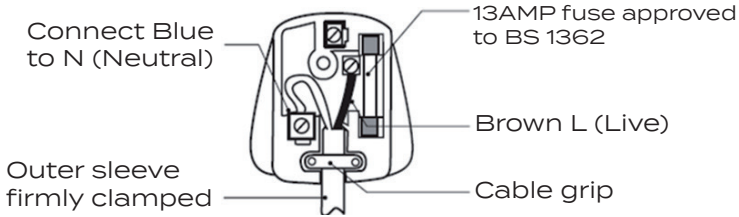
IMPORTANT: The wires in the mains lead are coloured in accordance with the following code:

Blue – Neutral / Brown – Live

As the colours of the wire in the mains lead of this product may not correspond with the coloured markings identifying the terminals in your plug, proceed as follows:

The blue wire must be connected to the terminal marked 'N' or coloured black.

The brown wire must be connected to the terminal marked 'L' or coloured red.



WARNING!

Never connect live or neutral wires to the earth terminal of the plug.

Troubleshooting

Suspected malfunctions are often due to causes that the user can fix their selves. Therefore, check the product using this section. In most cases, the problem can be solved quickly.



WARNING! Only perform the steps described within these instructions! All further inspection, maintenance and repair work must be performed by an authorised service centre or a similarly qualified specialist if you cannot solve the problem yourself!

Gloves and appropriate protective clothing must be worn when performing these instructions.

Problem	Possible cause	Solution
1. No power	<ul style="list-style-type: none">• Check if the plug socket, cable, line and plug are in good condition• If any of the parts are defective, such as the On/Off switch or motor etc.	<ul style="list-style-type: none">• Please contact the after sales support team at 01904 727509
2. The high-pressure washer operates intermittently	<ul style="list-style-type: none">• Internal loose electrical connection.• On/Off switch defective.	<ul style="list-style-type: none">• Please contact the after sales support team at 01904 727509
3. None or only little pressure is built up	<ul style="list-style-type: none">• There is an air pocket in the hose• Check all inlet pipes leading to the pump for leaks or clogs	<ul style="list-style-type: none">• Turn off the machine. Run the machine without the high-pressure hose connected until water starts to flow without bubbles. Reattach the high pressure hose• Please contact the after sales support team at 01904 727509
4. Great pressure variances	<ul style="list-style-type: none">• Check if the nozzle is blocked• Inlet water is blocked	<ul style="list-style-type: none">• Clean the high pressure jet nozzle with the nozzle pin provided• Make sure the inlet hose is not twisted or kinked
5. Machine is leaking	<ul style="list-style-type: none">• Sealing parts are broken	<ul style="list-style-type: none">• Please contact the after sales support team at 01904 727509

Technical Data

Model	Q1W-SP19-1900J
Input voltage rating	230-240V, 50 Hz
Input power	2000W
Working pressure	11MPa
Max pressure	14.5MPa
Rated flow	5.5l/min
Max. flow	7.5l/min
Degree of protection against liquids	IPX5
Safety class	II/□
Inlet pressure	0.6MPa
Supply water temperature:	Max. 40°C
Weight	12.3kg
Measured sound-pressure level	80.85 dB(A), K=3.34 dB(A)
Guaranteed sound-pressure level	97dB(A)
Vibration level	3,72 m/s ² K=1.5m/s ²

Sound and Vibration data

Measured noise emission values to ISO 4871.

Total vibration values (tri-axial vector sum) to EN ISO 5349E.

The vibration emission value stated in these instructions for use was measured in accordance with a standardised test procedure (described in ISO 5349) and can be used to compare one appliance with another.

This value can be used for a provisional estimate of the vibration level. The stated vibration emission value is based on the principle applications of the appliance.

However, if the appliance is used for other purposes or with other inadequately maintained accessories, it is possible that the vibration-emissions value will vary from the stated value. This may considerably increase the stress level over the whole life cycle of the appliance.

When estimating the vibration level, the time during which the appliance is switched off must be taken into account or during which it is switched on but not in active use. This may

considerably reduce the stress level over the whole life cycle of the appliance.

All additional measures and possibilities for reducing vibration stress must be tried, including: keeping the appliance and accessories in optimum condition, keeping hands warm and organisation of the tasks to be carried out.

HAVS safety



WARNING! This equipment may cause Hand-Arm Vibration Syndrome (HAVS) if its use is not adequately monitored and managed.

Preventative measures include, among others, regular maintenance and care of the product and cutting attachments, keeping hands warm and periodical breaks, as well as proper planning of work processes.

Disposal

The high-pressure washer and its accessories are made of various recyclable materials. Dispose of pressure washer in accordance with your local recycling regulations.

Disposing of the packaging

The packaging consists of cardboard and correspondingly marked sheets that can be recycled. Make these materials available for recycling.

Getting Help

Our dedicated UK-based customer helpline is open 7 days a week to assist you with assembly, parts queries and technical support. We are open during office hours but you can always send an email via **support@coreservice.co.uk**. Our experts are here to get you back enjoying your garden in no time.

For useful assembly, starting and maintenance videos, and for ordering spares, please visit **www.coreservice.co.uk**.

Calling our service does not affect your statutory rights.

Warranty

This product is covered by a 3 year warranty.

The warranty covers any manufacturing defect in materials, workmanship and finish. Any claim under this warranty must be made by going to your nearest Homebase store, taking your proof of purchase with you, and claims must be made within 3 years of the date of purchase.

We will offer you a free repair of the item where this is possible, or a replacement or a refund. Your statutory rights remain unaffected, in particular any rights you may have under the Consumer Rights Act 2015.

This warranty is given by HHGL Limited, MK9 1BA; HHGL (ROI) Limited, DO2 X576.

Please note: This warranty does not apply to products misused or neglected, and only covers domestic use. It does not apply to commercial use of the product.