

# POWERBASE

32cm 400W Electric Cylinder  
Lawn Mower 577179

## Instruction Manual

**IMPORTANT!**  
Please read these  
instructions fully before  
starting assembly.



These instructions contain important information that will help you get the best from your product, ensuring it is assembled correctly and safely. If you need help or have damaged or missing parts, call the Customer Helpline on 01904 727 509.

# Contents

Safety Information	3
In the Box	14
Assembly	15
Preparing to Operate the Cylinder Mower	19
Operating the Cylinder Mower	22
Maintenance and Repair	23
Storage and Transportation	24
Troubleshooting	26
Technical Data	27
Recycling and Disposal	28
Plug Replacement	29
Getting Help	30
Warranty	31

# Safety Information

## Warning symbols

The following warning symbols appear throughout this assembly manual and indicate the appropriate safety measures you should take when assembling and operating the rear roller cylinder mower.



This symbol indicates there is a danger of serious personal injury or death if you do not observe the warning.



This symbol indicates that there is a danger of damaging your hands if you do not wear thick protective gloves (PPE).

## General safety



### **WARNING!**

- Keep this assembly manual in a safe place for future reference.
- Always ensure anyone intending to operate this rear roller cylinder mower is fully conversant with the contents of this instruction manual prior to assembling, maintaining or operating the lawn mower.
- Perform assembly instructions as described in this manual. Failure to observe this warning may lead to serious injury, death, or damage to the rear roller cylinder mower.
- Always take care when removing the packaging to prevent damage to you or to the rear roller cylinder mower.



**IMPORTANT!** Before assembling the rear roller cylinder mower, check all the parts indicated in the manual are in the box. Inspect all the parts for signs of damage. Do not assemble the rear roller cylinder mower if you observe any damaged components.

## Personal safety



**WARNING!** Only operate the rear roller cylinder mower if you are wearing the correct personal protective equipment (PPE), as described in the following warnings.



**WARNING!** Always wear suitable gloves when operating the rear roller cylinder mower to protect your hands from flying debris and/or sharp objects.

## Intended use

1. The product is designed to cut grass on level lawns in residential gardens. Observe the technical data for the maximum cutting capacity. Do not exceed the stated maximum capacity.
2. This product is intended for private use only, not for any commercial applications. It is for residential use only. It may not be used for any purposes other than those described herein.
3. Attachments must be used according to the respective functions and in accordance with this instruction manual.
4. This product is not intended for use by people (including children) with reduced physical, sensory or mental capabilities, or lack of experience and knowledge,

Unless they have been given supervision or instruction concerning the use of the product by a person responsible for their safety.

5. Children should be supervised to ensure that they do not play with the product.

## Warning symbols



Caution/Warning!



Read the operator's manual.



The product complies with the applicable European directives and an evaluation method of conformity for these directives was done.



The product complies with the applicable UK directives and an evaluation method of conformity for these directives was done.



Wear ear and eye protection (PPE).



Wear protective gloves.



Wear foot protection.



Do not expose to rain.



Keep bystanders away.



Class II equipment.



Beware of sharp blades. Blades continue to rotate after the motor is switched off. Remove the plug from the mains before maintenance or if the cord is damaged.



Keep the flexible supply cord away from cutting means.



Rotating parts may cause serious injury. Make sure the blades come to a complete stop before transporting the machine or before inspecting, cleaning, or conducting any other maintenance.



Recycle unwanted materials instead of disposing of them as household waste. All tools, cables and packaging should be sorted, taken to the local recycling centre and disposed of in an environmentally-friendly way.



Guaranteed sound power level value in 96dB.

# Safety Information

## General safety



### **WARNING!**

- Keep this operating and maintenance manual in a safe place for future reference.
- Read the instructions carefully. Be familiar with the controls and the proper use of the equipment.
- Never allow children or people unfamiliar with these instructions to use the rear roller cylinder mower. Local regulations can restrict the age of the operator.
- Never mow while people, especially children or pets are nearby. Keep in mind that the operator or user is responsible for accidents or hazards occurring to other people or their property.
- This machine is not intended for use by persons (including children) with reduced physical, sensory or mental capabilities, or lack of experience and knowledge, unless they have been given supervision or instruction concerning the use of the appliance by a person responsible for their safety.
- Keep all bystanders, children and pets at least 50 feet away. The operator or user is responsible for accidents or hazards occurring to other people or their property.



## Personal safety

- **Use Personal Protective Equipment (PPE).** Always wear eye protection and protective equipment, such as a dust mask, non-slip safety shoes, hard hat, or hearing protection used for appropriate conditions, to reduce personal injuries.
- **Dress appropriately.** Do not wear loose clothing or jewellery, as these can be caught in moving parts. Wear non-slip footwear when working outdoors. Wear protective hair covering to keep long hair out of the way.
- **Stay alert, watch what you are doing and use common sense when operating a machine.** Do not use a machine while you are tired or under the influence of drugs, alcohol or medication. A lapse of concentration while operating this mower may result in serious personal injury.
- **Prevent unintentional starting.** Ensure the switch is in the off position before connecting to a power source, picking up or carrying the machine. Carrying equipment with your finger on the switch or energising machines that have the switch on invites accidents.
- **Keep all parts of the body away from the cutting blades.** Make sure the switch is off when clearing jammed material. A moment of inattention while operating the cylinder mower may result in serious personal injury.
- **Do not overreach.** Keep proper footing and balance at all times. This enables better control of the mower in unexpected situations.

- **Do not touch the rotating blades until they have completely stopped.**

## General safety

- **Be certain the parts are fully tightened before operating the machine.** Check periodically for tightness during use, to avoid serious injury.
- **Risk of injury.** Do not touch or try to stop the blades when they are moving.
- **Disconnect the plug.** Disconnect the plug from the mains supply when not in use or when servicing or cleaning.
- **Check for damaged parts.** Before further use, carefully check the tool for damage. Check for alignment of moving parts, binding of moving parts, breakage of parts, mountings, and any other condition that may affect its operation. Do not use the mower if any parts are damaged or defective. Have any damaged or defective parts repaired or replaced by an authorised service agent. Never attempt any repairs yourself.
- **Grip securely.** Always hold the machine securely in both hands while working with it.
- **Keep the handle dry, clean and free from oil and grease.** Slippery handles do not allow for safe handling and control of the mower in unexpected situations.
- **Keep the cable away from the cutting area.** During operation, the cable may be hidden in shrubs and can be accidentally cut by the blade.

- **Do not overload the mower.** Only work in the performance range stated. Do not use if you do not have sufficient power for heavy jobs. Do not use the mower for any use other than that intended by the manufacturer.
- If there is any danger of slipping on sloped ground, have a second person secure the machine with a rod or cable. The second person should stand up the slope at a safe distance from the mower.
- **Avoid damage to the mower.** Do not apply extra weight and do not drag it over hard surfaces, such as tiles or steps.
- **Do not use the mower on excessively steep slopes.** Make sure that you are standing firmly when using the tool, especially on slopes. If working on a slope, work along the slope, not upwards or downwards. Be particularly careful when changing direction on the slope.
- **Do not use the machine if the switch does not turn it on and off.** Any equipment that cannot be controlled with the switch is dangerous and must be repaired.
- **Disconnect the plug from the power source before making any adjustments, changing or storing power tools.** Such preventive safety measures reduce the risk of starting the machine accidentally.
- The use of a residual current device (RCD) with a tripping current of not more than 30mA is recommended.
- **Use the appropriate equipment.** This product is only intended for mowing the

lawn in private, residential and hobby gardens. Do not force small tools or attachments to do the job of a heavy-duty machine.

- **Keep work areas clean.** Check the terrain on which the mower will be used, and remove stones, sticks, wires or other foreign objects that may be caught up and thrown out.
- **Consider the work area environment.** Do not expose the equipment to high humidity or rain. Do not use it in damp and wet conditions. Keep the work area well lit.
- **Do not operate power tools in explosive atmospheres, such as in the presence of flammable liquids, gases or dust.** Power tools create sparks which may ignite the dust or fumes.
- **Power tool plugs must match the outlet.** Never modify the plug in any way. Do not use any adaptor plugs with earthed (grounded) power tools. Unmodified plugs and matching outlets will reduce the risk of electric shock.
- **Avoid body contact with earthed or grounded surfaces, such as pipes and radiators.** There is an increased risk of electric shock if your body is earthed or grounded.
- **Do not expose power tools to rain or wet conditions.** Water entering a power tool will increase the risk of electric shock.
- **Do not abuse the cord.** Never use the cord for carrying, pulling or unplugging the lawn mower. Keep the cord away from heat, oil,

sharp edges or moving parts. Damaged or entangled cords increase the risk of electric shock.

- **When operating a power tool outside, use an extension cord suitable for outdoor use.** Use of a cord suitable for outdoor use reduces the risk of electric shock.

## Operation safety

- Mow only in daylight or in good artificial light.
- Avoid operating the equipment in wet grass, where feasible.
- Always be sure of your footing on slopes.
- Walk, never run.
- For wheeled rotary machines, mow across the face of slopes, never up and down.
- Exercise extreme caution when changing direction on slopes.
- Do not mow excessively steep slopes.
- Use extreme caution when reversing or pulling the lawn mower towards you.
- Stop the blade(s) if the lawn mower has to be tilted for transportation when crossing surfaces other than grass, and when transporting it to and from the area to be mowed.
- Never operate the lawn mower with defective guards, or without safety devices, for example deflectors and/or grass catchers, in place.
- Switch on the motor carefully according to

instructions and with feet well away from the blade(s).

- Do not tilt the lawn mower when switching on the motor, except if the lawn mower has to be tilted for starting. In this case, do not tilt it more than absolutely necessary and lift only the part which is away from the operator.
- Do not put hands or feet near or under rotating parts. Keep clear of the discharge opening at all times.
- Not to touch the blades before the disabling device has been removed and the blades have come to a complete stop.
- Do not start the lawn mower when standing in front of the discharge opening.
- Do not transport the lawn mower while the power source is running.
- Stop the lawn mower, and remove the disabling device. Make sure that all moving parts have come to a complete stop:
  - a) Whenever leaving the machine unattended.
  - b) Before clearing a blockage.
  - c) Before checking, cleaning or working on the machine.
  - d) After striking a foreign object. Inspect the machine for damage and make repairs before restarting and operating the lawn mower.
  - e) If the lawn mower starts to vibrate abnormally (check immediately)
  - f) Inspect for damage.

- g) Replace or repair any damaged parts.
- h) Check and tighten any loose parts.

## Maintenance and storage

- **Maintain with care.** Keep equipment clean and in good condition for better and safer performance. Follow the instructions for maintenance and changing accessories. Keep handles and switches dry, clean and free from oil and grease.
- **Be careful in handling the machine.** Keep the cutting blades sharp and clean to improve its working safety and effectiveness.
- **Store idle power tools out of the reach of children and do not allow people unfamiliar with the mower or these instructions to operate the machine.** Power tools are dangerous in the hands of untrained users.

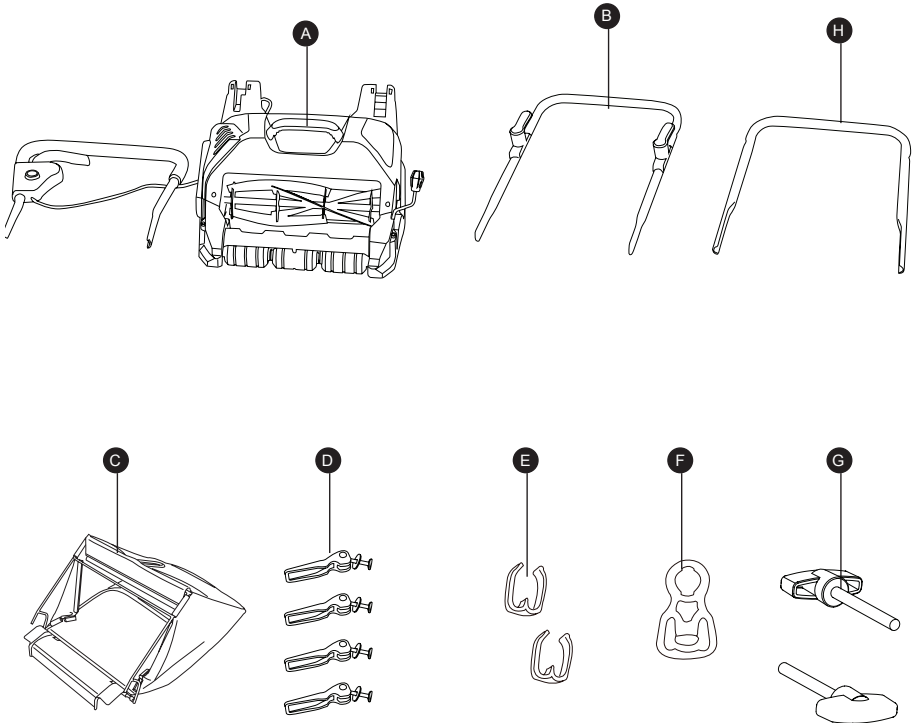
## Service

- **Have your power tool repaired by an authorised service agent.** This product is manufactured in accordance with the relevant safety regulations. To avoid danger, electrical equipment must only be repaired by qualified technicians. If you require support or are in need of spares or repair, please contact the Core Service Centre on **01904 727509**.

# In the Box

## Parts

- A. Main unit with upper handle
- B. Lower handle
- C. Grass bag
- D. CAM levers x 4
- E. Cable clips x 2
- F. Cable retainer
- G. Screws x 2
- H. Middle handle



If there are any parts missing, please call the customer helpline on **01904 727509**.

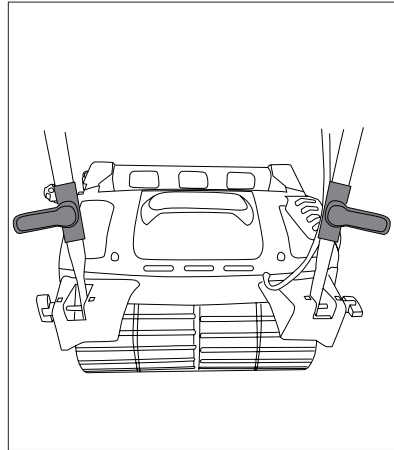
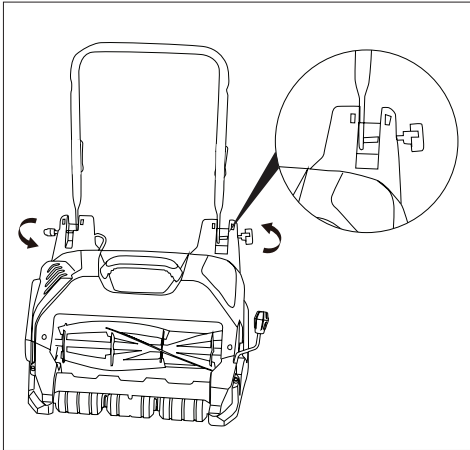


# Assembly

## Preparing to assemble the rear roller cylinder mower

1. Remove all parts of the rear roller cylinder mower from the box and carefully remove all packaging. Take care not to lose any instructions which may be attached to the parts. These provide important information, which will be required while assembling the rear roller cylinder mower.
2. Keep all packaging until the rear roller cylinder mower is fully assembled and has been operated successfully.  
**Note:** Please keep original packaging for warranty purposes.

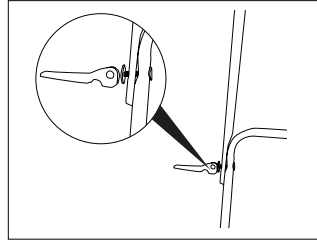
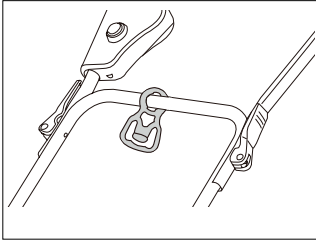
## Step 1 - Assemble the lower handles



Position the lower handle into the slot on the deck and tighten the fixing screws on both sides.

**Note:** Make sure that the cable hooks are at the back side of the machine.

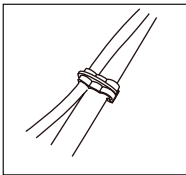
## Step 2 - Assembling the middle and upper handles



1. Slide the cord retainer onto the middle handle, sliding it around to the top of the handle so it does not fall off during the following assembly steps.
2. Slide the middle handle into the profiled area of the lower handle frame. Make sure that the holes of both sides of the upper handle are directly aligned with the holes of the frame.
3. Secure the upper handle to the middle handle frame with the CAM lever and bolts provided.
4. Repeat the above process on the upper and lower handle.

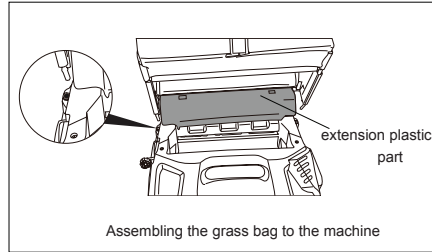
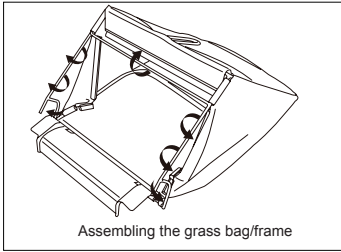
**Note:** Make sure that the switch box is on the same side as the cable from the deck and that they are not twisted.

## Step 3 - Securing the power cord with cable clips



1. Secure the power cable to the frame using the cable clips. Use one clip on the middle handle frame and the second on the lower handle frame.

## Step 4 - Fitting the grass box



1. Fix all of the P-Clip plastic extrusions over the metal frame.
2. When assembling the grass bag onto the machine, lift the front plastic cross strap and locate the pins into the slot holes on the deck.

**Note:** Make sure the extension plastic part is on the bar above front roller.

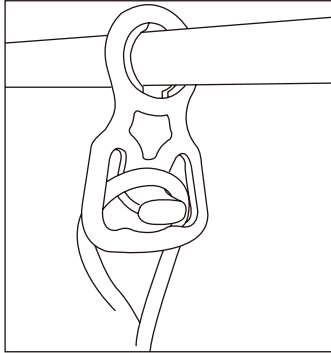
## Step 5 - Connection to the power supply



### WARNING!

- Read all of the instructions in this manual before connecting the machine to the power supply.
- If the insulation on a power cable or extension lead is found to be cut or damaged, do not touch it! Disconnect the power supply immediately and have the damaged cable replaced by an authorised service agent.
- If operating the equipment in a damp location is unavoidable, use a residual current device (RCD) protected supply. Use of an RCD reduces the risk of electric shock.
- Use only extension cords suitable for outdoor use, preferably with a high-visibility cable colour. Always unwind all extension cables fully. Coiled cables can overheat and reduce the efficiency of your product.
- For extension cables up to 15 metres, use a wire cross section of 1.5mm<sup>2</sup> (cable diameter). For extension cables over 15 metres but less than 40 metres, use a wire cross section of 2.5mm<sup>2</sup> (cable diameter).
- This product is designed to operate on 230-240V AC 50Hz. The voltage and current must comply with the information on the ratings label!

- This rear roller cylinder mower is fitted with a non-rewireable plug. If it is necessary to change the fuse in the plug or the fuse cover becomes loose or damaged, the plug must not be used until a suitable replacement is obtained. A 13amp fuse must be fitted.



1. Make sure the on/off switch is in its off position.
2. Double the extension cord about a foot from the end, and push the loop through the hole on the rear safe guard and hook the loop over the cord restrainer. Gently pull on the cord to ensure that it is firmly attached at the handle.
3. Connect the cord to a suitable socket.

# Preparing to Operate the Mower

## Preparing to operate the rear roller cylinder mower

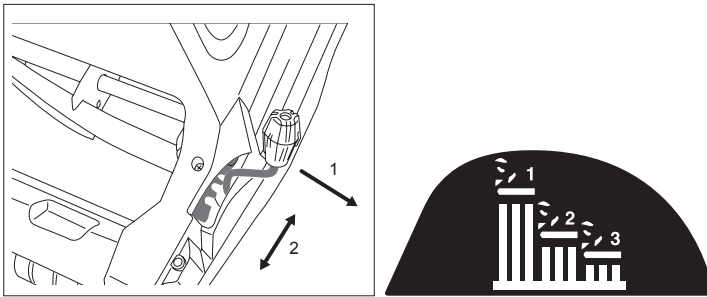


Always wear safety gloves when doing any work on the rear roller cylinder mower.



**WARNING!** Always unplug the power cord from the power source before doing any work on the rear roller cylinder mower.

## Step 1 - Adjusting the cutting height



This cylinder mower can be set to 3 positions of cutting height. Position 3 is the lowest cutting height.

1. Pull the lever outwards from the machine and then select your required cutting height position, for example 1, 2, or 3.
2. Release the lever and then make sure that it is fully secured into the selected cutting position.

**Note:** Never use the lowest cutting height for the first cut of the season or in drought conditions.

Cutting position	Cutting height
1	18mm
2	28mm
3	38mm

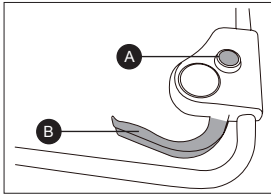
## Step 2 - Switch on/off



**CAUTION!** For your safety, this machine is equipped with a double switch system. This system prevents starting the mower inadvertently. You must press the switch lock button (A) first before pulling the switch lever (B).



**WARNING!** Never attempt to pull the switch lever without pressing the switch lock button first!



### Switching ON

1. Press the switch lock button (A).
2. Pull the switch lever (B) and release the switch button (A).

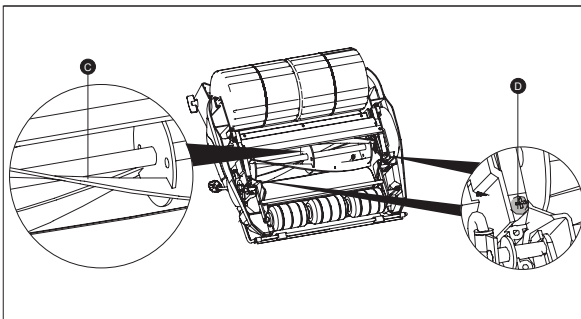
### Switching OFF

Release the switch lever (B).

## Step 3 - Adjusting the blade clearance



**WARNING!** Always disconnect the plug from the main power source before adjusting the blade.



Cylinder mower blades act like a pair of shears and should be adjusted if the grass is not cut cleanly and evenly.

1. Turn the mower upside down and use a screwdriver to turn each adjustment screw, as shown above, clockwise a little at a time.
2. Wearing gloves, carefully rotate the cutting cylinder (C) by hand to ensure it very lightly brushes across the whole width of the bottom blade. If the blades are too difficult to turn, slightly loosen each adjustment screw (D).
3. While the blade reel is turning, insert a sheet of paper (thickness around 0.12mm) between the blade reel and the cutting bar. The paper should shear evenly along the entire length of the cutter bar, as if being cut by scissors. If the paper doesn't shear, slightly tighten each adjustment screw (D) and repeat the test.
4. Turn the mower back over, plug it in and try it. It should now be giving a clean and even cut. If not, unplug and re-adjust the screws.

From time to time during use, it is advisable to carry out the above procedure to ensure that your cylinder mower is always cutting at its best.

# Operating the Cylinder Mower

## Operating

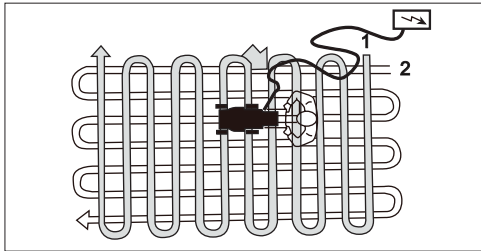


### WARNING!

- Always keep a firm grip on the machine with both hands and watch your feet. The blades may cause an accident. Be careful while moving backwards - there is a danger of tripping!

To avoid damage to the rear roller cylinder mower:

- Never lift or drag the machine with the motor running.
- When mowing, do not allow the motor to labour; particularly in heavy conditions.
- When the motor labours, the speed of the motor drops and you will hear a change in the motor sound. You should stop mowing immediately and release the switch lever and raise the cutting height.



1. Place the cylinder mower on the edge of the lawn.
2. Always work away from the mains socket. Make sure that the cable is kept well away from the working area.

**Note:** The blades may require adjustment, particularly before first use - see 'Adjusting the blades'.



# Maintenance and Repair

## Cleaning, maintenance and repair



**WARNING!** Always switch the product off and let it cool down before performing inspection, maintenance and cleaning work!

## After every use

1. Clean the product with a slightly damp cloth and pH-neutral soap. Use a brush for areas that are hard to reach.
2. Clean all of the rollers, front and rear, from grass/dirt debris. In particular, clean the air vents with a cloth and brush.
3. Check for worn or damaged parts. Replace worn parts as necessary or contact an authorised service centre for repair before using the product again.
4. Check for obvious defects, such as a loose, dislodged or damaged cutting device, loose fixings and worn or damaged components.
5. Check that covers are undamaged and correctly fitted. Carry out necessary maintenance or repairs before using the product.
6. Regularly apply lubricant to the mowers cutting surface, cutting reel axle shaft and wheels.

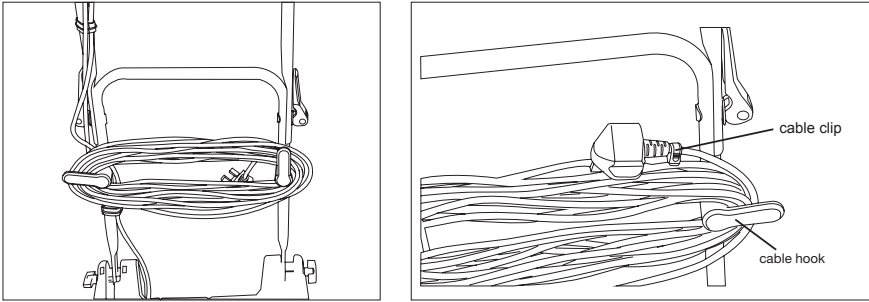
# Storage and Transportation

## Storage

1. Clean the product as described above.
2. Store the product and its accessories in a safe, dry and frost-free, well-ventilated place.
3. Always store the product in an upright or horizontal position in a place that is inaccessible to children. The ideal storage temperature is between 10 and 30°C.
4. We recommend using the original packaging for storage, or covering the product with a suitable cloth or enclosure to protect it against dust.

# Storage and Transportation

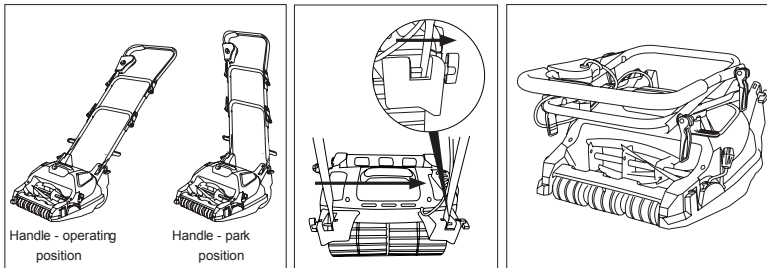
## Cable tidy system



After use, wrap your extension cable around the cable hooks and secure the plug in place.

To release the extension cable for using the machine, just rotate the cable hook.

## Handle positions for storage



Push the lower handle to the right and then rotate forward, make sure the lower handle is out of the block position. Release the CAM levers and fold the handle down.

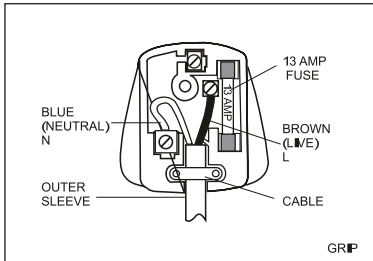
## Transportation

1. Switch the product off and disconnect it from the power supply before transporting it anywhere.
2. Always carry the product by the central carry handle.

3. Protect the product from any heavy impact or strong vibrations which may occur during transportation in vehicles.
4. Secure the product to prevent it from slipping or falling over.

## Plug Replacement

### Replacing the plug



Your rear roller cylinder mower is fitted with a moulded plug; however, if you need to replace a fitted plug then follow the instructions below.

#### **IMPORTANT**

The wires in the mains lead are coloured in accordance with the following code:

#### **Blue - Neutral / Brown - Live**

As the colours of the wires in the mains lead of this appliance may not correspond with the coloured markings identifying the terminals in your plug, proceed as follows:

The blue wire must be connected to the terminal marked 'N' or coloured black.

The brown wire must be connected to the terminal marked 'L' or coloured red.

If a 13AMP (BS1363/A) plug is used, a 13A fuse must be fitted. If any other type of plug is used, a 13AMP fuse must be fitted, either in the plug or adaptor, or on the distribution board.

**Note:** If a moulded plug is fitted and has to be removed, take great care in disposing of the plug and severed cable; it must be destroyed to prevent engaging into a socket. If the supply cord is damaged it must be replaced by a service agent or a similarly qualified person in order to avoid hazard.

# Troubleshooting



**WARNING!** Only perform the steps described within these instructions!

All further inspection, maintenance and repair work must be performed by an authorised service centre or a similarly qualified specialist, if you cannot solve the problem yourself!

<b>Problem</b>	<b>Possible cause</b>	<b>Solution</b>
Product does not start	<ol style="list-style-type: none"><li>1. Not connected to power supply</li><li>2. Power connection is loose</li><li>3. Other electrical defect to the product</li></ol>	<ol style="list-style-type: none"><li>1. Connect to power supply</li><li>2. Connect the power supply and securely</li><li>3. Check by a specialist electrician</li></ol>
Product does not reach full power	<ol style="list-style-type: none"><li>1. Extension cord not suitable for operation with this product</li><li>2. Power source (e.g. generator) has too low voltage</li><li>3. Machines internal wiring damaged</li></ol>	<ol style="list-style-type: none"><li>1. Use a proper extension cord</li><li>2. Connect to another power source</li><li>3. Contact the customer helpline</li></ol>
Machine not cutting	<ol style="list-style-type: none"><li>1. Height of cut too low</li><li>2. Blades gap is too big</li></ol>	<ol style="list-style-type: none"><li>1. Increase height of cut (see 'Adjusting the cutting height')</li><li>2. Blades require adjustment (See 'Adjusting the blade clearance')</li></ol>
Machine leaves a ragged finish	<ol style="list-style-type: none"><li>1. Cutting blades blunt</li></ol>	Blades require adjustment (see 'Adjusting the blade clearance')
Cutting blades not rotating	<ol style="list-style-type: none"><li>1. Cutting blades obstructed</li><li>2. Belt is slipping or is damaged</li></ol>	<ol style="list-style-type: none"><li>1. Clear obstruction</li><li>2. Contact customer helpline</li></ol>

Excessive vibration/ noise	1. Cutting blades damaged 2. Cutting blades not adjusted evenly	1. Contact customer helpline 2. Blades require adjustment (see 'Adjusting the blade clearance')
Rollers do not rotate	Roller is blocked by debris	Clean all roller slots

## Technical Data



**WARNING!** The vibration emission value during actual use of the tool can differ from the declared value, depending on the ways in which the tool is used. Identify safety measures to protect the operator that are based on an estimation of exposure in the actual conditions of use (taking into account all parts of the operating cycle, such as the times when the tool is switched off and when it is running idle, in addition to the trigger time).

The sound intensity level for the operator may exceed 85dB(A) and ear protection measures are necessary.

Property	Value
Model	SCM32A
Rated voltage	230-240V-/50hz
Rated power	400W
No-load speed	3700rpm
Cutting height	320mm
Height of cut	18mm/28mm/38mm
Net weight	11.5kg
Measured sound pressure level	74dB(A), k=4 dB(A)
Measured sound power level	94dB(A), k=4 dB(A)
Guaranteed sound power level	96dB(A)
Vibration (m/s <sup>2</sup> )	2.323m/s <sup>2</sup> K=1.5m/s <sup>2</sup>

# HAVS

**WARNING!** This equipment may cause Hand-Arm Vibration Syndrome (HAVS) if its use is not adequately monitored and managed.

Preventative measures include, among others, regular maintenance and care of the product and cutting attachments, keeping hands warm and periodical breaks, as well as proper planning of work processes.

Preventative measures include, among others, regular maintenance and care of the product and cutting attachments, keeping hands warm and periodical breaks, as well as proper planning of work processes.

## Disposal

The cylinder mower and its accessories are made of various recyclable materials. Dispose of the rear roller cylinder mower in accordance with your local recycling regulations.

# Getting Help

Our dedicated UK-based customer helpline is open 7 days a week to assist you with assembly, parts queries and technical support. We are open during office hours but you can always send an email via **support@coreservice.co.uk**. Our experts are here to get you back enjoying your garden in no time.

For useful assembly, starting and maintenance videos, and for ordering spares, please visit **www.coreservice.co.uk**

Using our service does not affect your statutory rights.

# Warranty

This product is covered by a 3 year warranty.

The warranty covers manufacturing defect in materials, workmanship and finish.

Any claim under this warranty must be made by going to your nearest Homebase store, taking your proof of purchase with you, and claims must be made within 3 years of the date of purchase.

We will offer you a free repair of the item where this is possible, or a replacement or a refund. Your statutory rights remain unaffected, in particular any rights you may have under the Consumer Rights Act 2015.

This warranty is given by HHGL Limited, MK9 1BA; HHGL (ROI Limited, DO2 X576.

Please note: This warranty does not apply to products misused or neglected and only covers domestic use. It does not apply to commercial use of the product.