

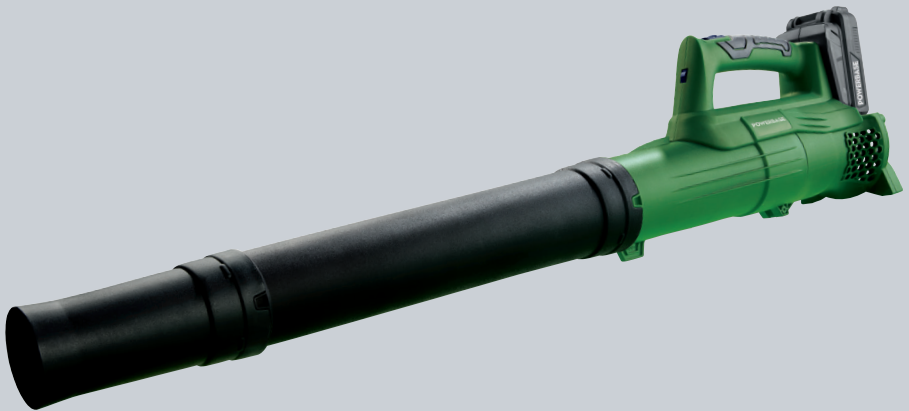
POWERBASE

20V Cordless
Jet Blower

577176

Instruction Manual

IMPORTANT!
Please read these
instructions fully before
starting assembly.



These instructions contain important information that will help you get the best from your product, ensuring it is assembled correctly and safely. If you need help or have damaged or missing parts, call the Customer Helpline on 01904 727 509.

Contents

General safety warnings	3
Warning symbols	19
In the box	22
Assembly	26
Operation	27
Maintenance and storage	28
Troubleshooting	28
Technical data	29
Disposal	30
Getting help	30
Warranty	30

General Safety Warnings

General power tool safety warnings



WARNING! Read all safety warnings and instructions.

Failure to follow the warnings and instructions may result in electric shock, fire and/or serious injury.

Save all warnings and instructions for future reference.

The term 'power tool' in the warnings refers to your mains-operated (corded) power tool or battery-operated (cordless) power tool.

- This product is not intended for use by persons (including children) with reduced physical, sensory or mental capabilities, or lack of experience and knowledge, unless they have been given supervision or instruction concerning use of the appliance by a person responsible for their safety.
- Only use the product in the manner and for the functions described in these instructions.

Work area safety

- **Keep the work area clean and well lit.** Cluttered or dark areas invite accidents.
- **Do not operate power tools in explosive atmospheres,** such as in the presence of flammable liquids, gases or dust. Power tools create sparks which may ignite the dust or fumes.
- **Keep children and bystanders away while operating a power tool.** Distractions can cause you to lose control.

Electrical safety

- **Power tool plugs must match the outlet.** Never modify the plug in any way. Do not use any adaptor plugs with earthed (grounded) power tools. Unmodified plugs and matching outlets will reduce risk of electric shock.
- **Avoid body contact with earthed or grounded surfaces, such as pipes, radiators, ranges and refrigerators.** There is an increased risk of electric shock if your body is earthed or grounded.
- **Do not expose power tools to rain or wet conditions.** Water entering a power tool will increase the risk of electric shock.

- **Do not abuse the cord.** Never use the cord for carrying, pulling or unplugging the power tool. Keep cord away from heat, oil, sharp edges or moving parts. Damaged or entangled cords increase the risk of electric shock.
- **When operating a power tool outdoors, use an extension cord suitable for outdoor use.** Use of a cord suitable for outdoor use reduces the risk of electric shock.
- **If the supply cord is damaged, it must be replaced by the manufacturer, its service agent or similarly qualified persons in order to avoid a hazard.**
- **It is recommended that appliances should be supplied via a residual current device (RCD) with a tripping current of not more than 30mA.**

Personal safety

- **Stay alert, watch what you are doing and use common sense when operating a power tool. Do not use a power tool while you are tired or under the influence of drugs, alcohol or medication.** A moment of inattention while operating power tools may result in serious personal injury.
- **Use Personal Protective Equipment (PPE). Always wear eye protection.** Protective equipment, such as a dust

mask, non-skid safety shoes, hard hat, or hearing protection used for appropriate conditions, will reduce personal injuries.

- **Prevent unintentional starting. Ensure the switch is in the ‘off’ position before connecting to a power source and/or battery pack, picking up or carrying the tool.** Carrying power tools with your finger on the switch or energising power tools that have the switch on invites accidents.
- **Remove any adjusting key or wrench before turning the power tool on.** A wrench or a key left attached to a rotating part of the power tool may result in personal injury.
- **Do not overreach. Keep proper footing and balance at all times.** This enables better control of the power tool in unexpected situations.
- **Dress properly. Do not wear loose clothing or jewellery. Keep your hair, clothing and gloves away from moving parts.** Loose clothes, jewellery or long hair can be caught in moving parts.
- **If devices are provided for the connection of dust extraction and collection facilities, ensure these are connected and properly used.** Use of a dust collection device can reduce dust-related hazards.

Power tool use and care

- **Do not force the power tool. Use the correct power tool for your application.** The correct power tool will do the job better and safer at the rate for which it was designed.
- **Do not use the power tool if the switch does not turn it on and off.** Any power tool that cannot be controlled with the switch is dangerous and must be repaired.
- **Disconnect the plug from the power source and/or the battery pack from the power tool before making any adjustments, changing accessories, or storing power tools.** Such preventive safety measures reduce the risk of starting the power tool accidentally.
- **Store idle power tools out of the reach of children and do not allow persons unfamiliar with the power tool or these instructions to operate the power tool.** Power tools are dangerous in the hands of untrained users.
- **Maintain power tools. Check for misalignment or binding of moving parts, breakage of parts and any other condition that may affect the power tools operation. If damaged, have the power tool repaired before use.** Many accidents are caused by poorly maintained power tools.
- **Keep cutting tools sharp and clean.**

Properly maintained cutting tools with sharp cutting edges are less likely to bind and are easier to control.

- **Use the power tool, accessories and tool bits, etc., in accordance with these instructions, taking into account the working conditions and the work to be performed.** Use of the power tool for operations different from those intended could result in a hazardous situation.

Battery use and care

- **Recharge only with the charger specified by the manufacturer.** A charger that is suitable for one type of battery pack may create a risk of fire when used with another battery pack.
- **Use power tools only with specifically designated battery packs.** Use of any other battery packs may create a risk of injury and fire.
- **When the battery pack is not in use, keep it away from other metal objects, like paper clips, coins, keys, nails, screws, or other small metal objects that can make a connection from one terminal to another.** Shorting the battery terminals together may cause burns or a fire.
- **Under abusive conditions, liquid may be ejected from the battery; avoid contact. If contact accidentally occurs, flush**

immediately with water. If liquid contacts the eyes, immediately seek medical help. Liquid ejected from the battery may cause irritation or burns.

Servicing

Have your power tool serviced by a qualified repair person using only identical replacement parts. This will ensure that the safety of the power tool is maintained.

Safety warnings for cordless blower

- The cordless blower has been designed to clear light debris and leaves from hard surfaces – not for clearing grassed areas.
- When operating the unit, never point the jet blower nozzle in the direction of people or pets or in the direction of windows. Use extra caution when blowing debris near solid objects, such as trees, automobiles, and walls.
- Be sure to secure the unit when transporting it.
- Never douse or squirt the unit with water or any other liquid. Clean the unit after each use as described in the cleaning and storage section.

Preparation

- Wear safety goggles and ear muffs while operating.
- Always wear substantial footwear and long trousers. Do not operate the equipment when barefoot or wearing open-toed sandals.
- Always wear suitable working clothes during working, which allow freedom of movement.
- Never operate the appliance which is damaged, incomplete or changed without approval of the manufacturer.

Operation

- Disconnect the battery from the product: whenever you leave the product, before clearing a blockage, before checking, cleaning or working on the product, or if the product starts to vibrate abnormally.
- Operate the product only in daylight or in good artificial light.
- Do not overreach and keep your balance at all times.
- Always be sure of your footing on slopes.
- Walk, never run.
- Keep all ventilation openings clear of debris.
- Never blow debris in the direction of bystanders.

General safety warnings for battery chargers



WARNING! This power tool is not intended for use by persons (including children) with reduced physical, sensory or mental capabilities, or lack of experience and knowledge, unless they have been given supervision or instruction concerning the use of the power tool by a person responsible for their safety.



WARNING! Children should be supervised to ensure that they do not play with the machine.

- Before charging the battery, read all the instructions carefully.
- After charging, disconnect the battery charger from the mains supply; remove the chassis connection and then the battery connection.
- Do not charge a leaking battery.
- Do not use chargers for works other than those for which they are designed and intended.
- Before charging, ensure your charger matches the local AC supply.
- For indoor use. DO NOT expose to rain. The charging device must be protected from moisture.

- Do not use the charging device in the open.
- Do not short out the contacts of the battery or charger.
- Respect the polarity (+/-) when charging.
- Do not open the unit and keep out of the reach of children.
- Do not charge the batteries of other manufacturers or ill-suited models.
- Ensure that the connection between the battery charger and battery is correctly positioned, and is not obstructed by foreign bodies.
- Keep the battery chargers slots free of foreign objects, and protect it from dirt and humidity. Store in a dry and frost-free place.
- When charging batteries, ensure that the battery charger is in a well-ventilated area and away from flammable materials. Batteries can get hot during charging. Do not overcharge any batteries. Ensure that batteries and chargers are not left unsupervised during charging.
- Do not attempt to recharge non-rechargeable batteries, as they can overheat and break.
- Longer life and better performance can be obtained if the battery pack is charged when the air temperature is between 18°C and 24°C. Do not charge the battery pack in air temperatures below 0°C or above 45°C.

This is important as it can prevent serious damage to the battery pack.

- Only charge a battery pack of the same model provided by the manufacturer or different models recommended by them.

Safety warnings for battery packs

- Do not dismantle, open or shred cells or battery packs.
- Do not short-circuit a battery pack. Do not store battery packs haphazardly in a box or drawer where they may short circuit each other, or be short-circuited by conductive materials. When the battery pack is not in use, keep it away from other metal objects, like paper clips, coins, keys, nails, screws or other small metal objects that can make a connection from one terminal to another. Shorting the battery terminals together may cause burns or a fire.
- Do not expose the battery pack to heat or fire. Avoid storing in direct sunlight.
- Do not subject the battery pack to mechanical shock.
- In the event of battery leakage, do not allow the liquid to come into contact with the skin or eyes. If contact has been made, wash the affected area with copious amounts of water and seek medical advice.

- Seek medical advice immediately if a cell or battery pack has been swallowed.
- Keep the battery pack clean and dry.
- Wipe the battery pack terminals with a clean, dry cloth if they become dirty.
- The battery pack needs to be charged before use. Always refer to this instruction manual and use the correct charging procedure.
- Do not keep the battery pack on charge when it is not in use.
- After extended periods of storage, it may be necessary to charge and discharge the battery pack several times to obtain maximum performance.
- The battery pack gives its best performance when it is operated at normal room temperature ($20^{\circ}\text{C} \pm 5^{\circ}\text{C}$).
- When discharging several battery packs, keep battery packs of different electrochemical systems separate from each other.
- Do not use any battery pack which is not designed for use with the equipment.
- Keep the battery pack out of the reach of children.
- Retain the original product literature for future reference.
- Remove the battery from the equipment when it is not in use.

- Dispose of safely in an environmentally safe manner. Not with domestic, household waste.

Maintenance and storage

- When the machine is stopped for servicing, inspection, or storage, or to change an accessory, shut off the power source, disconnect the machine from the supply and make sure that all moving parts have come to a complete stop. Allow the machine to cool before making any inspections, adjustments, etc. Maintain the machine with care and keep it clean.
- Store the machine in a dry place out of the reach of children.
- Always allow the machine to cool before storing.
- Replace worn or damaged parts for safety. Use only genuine replacement parts and accessories.

Intended use

- The device is designed only for blowing and suction of light DRY debris, such as leaves, grass, mulch and clippings from domestic gardens. Avoid wet materials, as it may lead to congestion in the shredder unit and lead to reduced functionality. Every other utilisation, which is not explicitly approved in these directions, can lead to damage to the device and represents a serious danger to the user.
- For safety reasons, it is essential to read the entire instruction manual before first operation and to observe all the instructions herein.
- This product is intended for private domestic use only, not for any commercial trade use. It must not be used for any other purposes.

Recommendation

- The machine should be supplied via a residual current device (RCD) with a tripping current of not more than 30mA.
- If the supply cord is damaged, it must be replaced by the manufacturer, its service agent or similarly qualified persons in order to avoid a hazard.
- Supply cords shall not be lighter than

- if rubber insulated, ordinary tough rubber sheathed flexible cord (code designation HO5 RN-F).
- if polyvinyl chloride insulated, ordinary polyvinyl chloride sheathed flexible cord (code designation HO5 VV-F).

Emergency



WARNING! Familiarise yourself with the use of this machine by means of this instruction manual. Memorise the safety directions and follow them to the letter. This will help to prevent risks and hazards.

- Always be alert when using the machine, so that you can recognise and handle risks early. Fast intervention can prevent serious injury and damage to property.
- Switch off and disconnect from the power supply if there is any malfunction. Have the machine checked by a qualified specialist and repaired, if necessary, before you put it into operation again.

Residual risks



WARNING! Even if you are operating the machine in accordance with all safety requirements, potential risks of injury and damage remain. The following dangers can arise in connection with the structure and design of this machine:

- Health defects resulting from vibration emission if the machine is being used over long periods of time or not adequately managed and properly maintained.
- Injuries and damage to property due to broken application tools or sudden impact of hidden objects during use.
- Danger of injury and property damage caused by flying objects. Do not abuse the cord. Never use the cord for carrying, pulling or unplugging the machine. Keep the cord away from heat, oil, sharp edges or moving parts. Damaged or entangled cords increase the risk of electric shock.



WARNING! This machine produces an electromagnetic field during operation! Under some circumstances, this field may interfere with active or passive medical implants! To reduce the risk of serious or fatal injury, we recommend persons with medical implants consult their doctor and medical implant manufacturer before operating this product!

Warning Symbols



WARNING!



To reduce the risk of injury, the user must read the instruction manual carefully.



Wear ear protection.



Wear eye protection.



Do not use in the rain or leave outdoors while it is raining.



Keep bystanders away.



Do not open or remove safety shields while motor is running.



Conforms to all relevant EU safety standards.



Conforms to relevant UK regulatory requirements.



Guaranteed sound power level.



Remove battery pack before repair and maintenance.



This symbol is known as the 'Crossed-out Wheellie Bin Symbol'. When this symbol is marked on a product or battery, it means that it should not be disposed of with your general household waste. Some chemicals contained within electrical/electronic products or batteries can be harmful to health and the environment. Only dispose of electrical/electronic/battery items in separate collection schemes which cater for the recovery and recycling of materials contained within. Your cooperation is vital to ensure the success of these schemes and for the protection of the environment.

Warning symbols on the charger



Before use, carefully read through the user manual.



The charger is for indoor use only.



Class II equipment.



Pole orientation.

T3.15A



Fuse 3.15A.

Warning symbols on the battery



Do not dispose of batteries in rivers or immerse in water.



Do not subject the battery to strong sunlight over long periods, and do not leave it on a heater (max. 45°C).



Do not throw on fire. Danger of explosion.



Contains a Li-ion battery. Batteries must be recycled or disposed of properly.

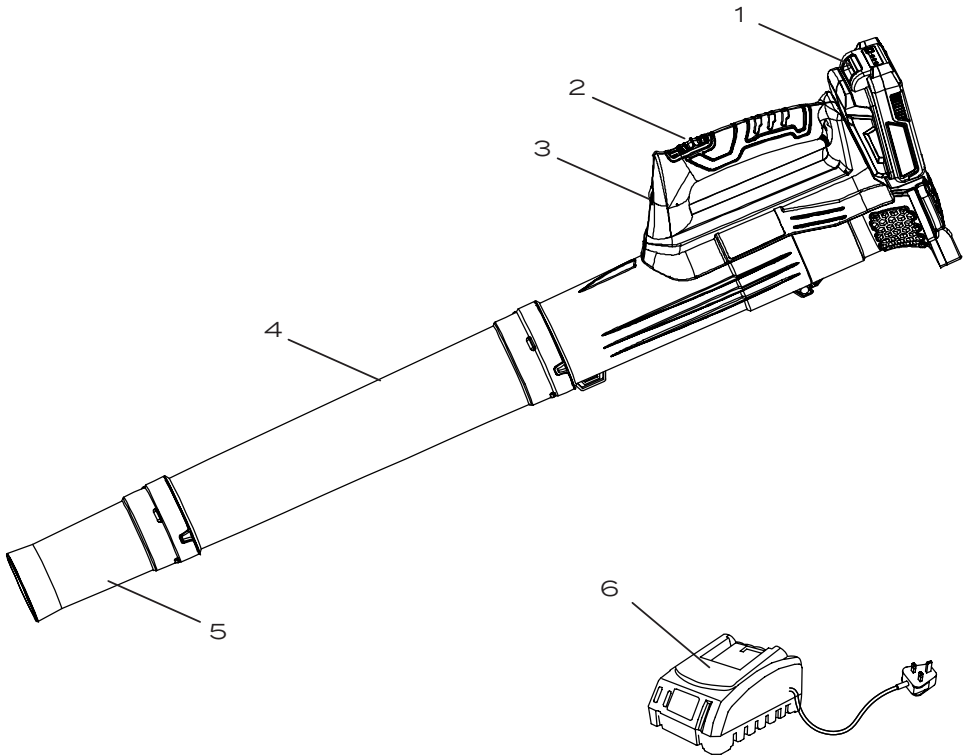


Return exhausted batteries to your local collection or recycling point.

In the Box

Parts

1. Battery pack
2. Switch
3. Speed control
4. Upper blower tube
5. Lower blower tube
6. Charger





WARNING!

Before using the tool, read all instructions carefully.

Charging the battery



WARNING!

The charger and battery pack are specifically designed to work together, so do not attempt to use any other devices. Never insert or allow metallic objects into your charger or battery pack connections; an electrical failure and hazard will occur.

The battery needs to be charged before first use and whenever it fails to produce sufficient power on jobs that were easily done before.

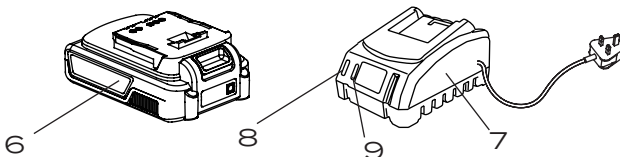


WARNING! NEVER LEAVE THE BATTERY AND CHARGER UNATTENDED WHEN CHARGING THE BATTERY.

This product comes with a lithium-ion battery pack. Lithium-ion batteries don't lose charge when not in use, and don't lose charging capacity over time. Nevertheless, it is best practice to charge the battery when empty or insufficient to do the job.

The charging procedure

1. Connect the charger (7) to a power supply. The left red light (8) will illuminate.
2. Slide the battery pack into the charger, making sure the battery pack (6) is fully seated in position. The left red light is on and the right green light (9) is flashing to indicate the charging is on going.
3. When charging is complete, the left light is off and the right green light is on.
4. Once the battery is fully charged, disconnect the charger from the mains and remove the battery pack from the charger.



Important charging notes

Longest life and best performance can be obtained if the battery pack is charged when the air temperature is between 18-24°C. Do not charge the battery pack in a very low or very high air temperature. This is important and will prevent serious damage to the battery pack.

When using your tool continuously, the batteries in your battery pack will become hot. You should let a hot battery pack cool down for approximately 30 minutes before attempting to recharge.

The charger and battery pack may become warm to touch while charging. This is a normal condition and does not indicate a problem.

Use the charger at normal room temperature whenever possible. To prevent overheating, do not cover the charger and do not charge battery packs in direct sunlight or near heat sources.

If the battery pack does not charge properly:

1. Check the mains socket by plugging in a lamp or other appliance.
2. Move the charger and battery pack to a location where the surrounding air temperature is approximately 18-24°C.
3. If charging problems persist, take or send the tool, battery pack and charger to your local service centre.

The battery pack should be recharged when it fails to produce sufficient power on jobs which were easily done before. **DO NOT CONTINUE** to use under these conditions. Follow the charging procedure. You may also charge a partially used pack whenever you desire with no adverse effect on the battery pack.

Under certain conditions, with the charger plugged in to the power supply, the exposed charging contacts inside the charger can be shorted by foreign material. Foreign materials of a conductive nature, such as, but not limited to, steel wool, aluminium foil, or any build-up of metallic particles, should be kept away from charger cavities. Always unplug the charger from the power supply when there is no battery pack in the cavity. Unplug the charger before attempting to clean it.

Do not immerse the charger in water or any other liquid.



WARNING!

Don't allow any liquid to get inside the charger; electric shock may result. To facilitate the cooling of the battery pack after use, avoid placing the charger or battery pack in a warm environment, such as in a metal shed or an un-insulated trailer.



WARNING!

Never attempt to open the battery pack for any reason. If the plastic housing of the battery pack breaks or cracks, return it to a service centre for recycling; do not put it into further use.

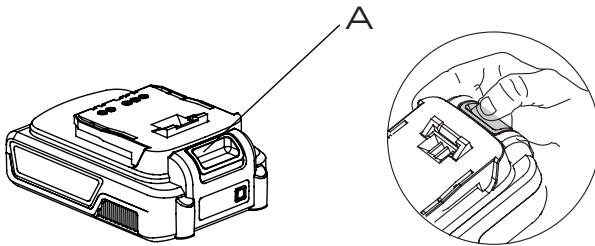
Removing or installing the battery pack



WARNING!

Always release the on/off trigger before insertion or removal of the battery pack.

To remove the battery pack: Depress button **(A)** on the end of the battery pack, and then remove the pack from the tool.



Install the battery pack: Align the ribs on both sides of the battery pack with the slots in the housing, and slip it into place. Always insert it all the way until it locks in place with a 'click' sound. If not, it may accidentally fall out of the tool, causing injury to you or someone around you.

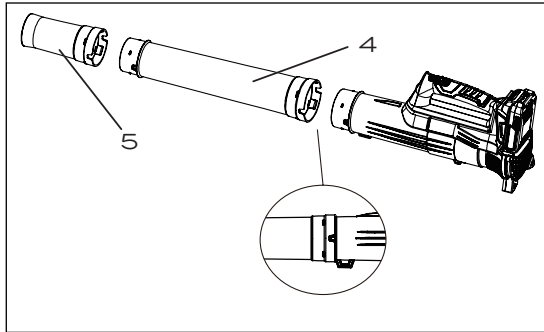
Assembly



Caution! Read all the instructions before assembly. Failure to do so may result in faulty assembly and potential injury! Assemble product on a soft, non-abrasive surface, such as carpet or cardboard, to avoid damaging the item. Seek assistance to assemble bulky or heavy items.

Fitting the blower tube

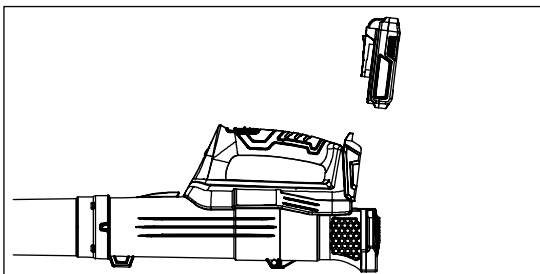
1. Align the lower blower tube (5) to the upper blower tube (4).
2. Slide the blower tube over the blower outlet opening until the lock button on the blower is inserted into the opening on the tube.



WARNING! Make sure the tubes are firmly connected before operation.

Fitting and removing the battery

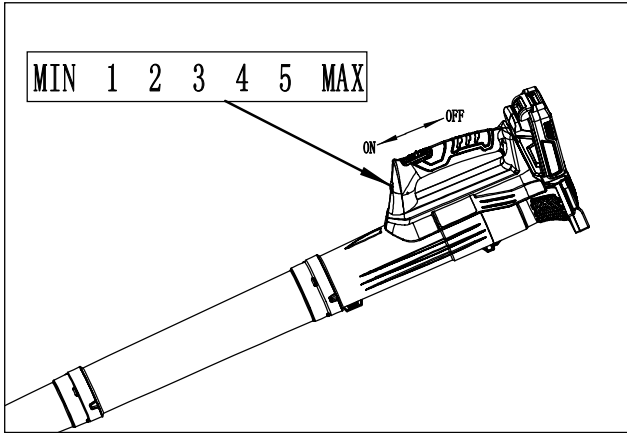
To insert the battery, slide it into the blower until it latches into place. Check that the battery is securely locked into place. To remove the battery, press the release button on the battery pack and slide the battery away from the blower.



Operation

Starting/stopping the blower

1. To start the blower, place the switch in the ON (I) position.
2. To stop the blower, place the switch in the OFF (O) position.
3. If more power is required, slide the speed controller from position 'min.' to position 'max.'.



Use the blower

Blow debris or grass clippings off of driveways, sidewalks, patios, parks, parking lots, etc.

Gather grass clippings, straw, or leaves into piles.

Remove debris from corners, around joints, and between bricks.

Note: The blower is designed to clean hard surfaces, such as patios, driveways, decks, garages and sidewalks.

Maintenance and storage

1. Disconnect the battery pack from the machine before carrying out maintenance or cleaning work.
2. When not in use, store the machine out of the reach of children.
3. Use only manufacturer recommended replacement parts and accessories.
4. To clean the tool, remove the battery pack and use only mild soap and a damp cloth to clean the tool. Do not immerse the tool in water or spray with a hose. Do not allow any liquid to get inside it. Do not clean with a pressure washer.
5. Inspect and maintain the machine regularly. Have the machine repaired only by an authorised repairer.

Troubleshooting

General troubleshooting







WARNING! Read user guide first! Follow all safety precautions whenever diagnosing or servicing the tool. Disconnect the battery pack before service.

Problem	Possible Cause	Fault Correction
Tool does not start.	<ol style="list-style-type: none">1. Tools On/Off switch is in the Off position.2. Not connected to battery pack.3. Low battery pack capacity.	<ol style="list-style-type: none">1. Check whether the On/Off switch is in the On position.2. Connect to the battery pack.3. Charge the battery pack.
Tool does not blow.	<ol style="list-style-type: none">1. Internal damage or wear.	<ol style="list-style-type: none">1. Have authorised service centre service tool.

NOTE: If the tool begins to abnormally vibrate, please immediately stop using it. Have the tool inspected by an authorised service centre.

Technical data

Model no.	ASYBLO715020-2
Voltage	20V 
Battery type	Lithium-ion
Max. no-load speed	10000/min-16000/min
Battery pack	
Battery pack	BOP-SPO7-20-ZJ
Battery type	Lithium-ion
Battery capacity	20V  2.5Ah
Charging time	Approx. 1.5 hours
Charger	
Charger	BOQ-SPO6-20ZB
Input	220-240V~ 50/60Hz 65W
Output	20V  2.4A
Protection category	II / 
Noise and vibration data	
A weighted sound pressure	82.7dB(A)
A weighted sound power	94.5dB(A)
The guaranteed sound power level	99dB(A)
Typical weighted vibration	2.73m/s ² K=1.5m/s ²



WARNING!

The sound values have been determined according to the noise test code given in EN 50636-2-100, using the basic standards EN ISO 8662 and EN ISO 3744.

The sound intensity level for the operator may exceed 80dB(A) and ear protection measures are necessary.

The declared vibration value has been measured in accordance with a standard test method, and may be used for comparing one product with another. The declared vibration value may also be used in a preliminary assessment of exposure.

Depending on the actual use of the product, the vibration values can differ from the declared total. Adopt proper measures to protect yourself against vibration exposures. Take the whole work process into consideration, including times the product is running under no load or switched off.



WARNING! This tool may cause Hand-Arm Vibration Syndrome (HAVS) if its use is not adequately managed. Preventative measures include, among others, regular maintenance and care of the product and cutting attachments, keeping hands warm and periodical breaks, as well as proper planning of work processes.

Disposal

The blower and its accessories are made of various recyclable materials. Dispose of the blower in accordance with your local recycling regulations.

Getting help

Our dedicated UK-based customer helpline is open 7 days a week to assist you with assembly, parts queries and technical support. We are open during office hours but you can always send an email via **support@coreservice.co.uk**. Our experts are here to get you back enjoying your garden in no time.

For useful assembly, starting and maintenance videos, and for ordering spares, please visit **www.coreservice.co.uk**.

Using our service does not affect your statutory rights.

Warranty

This product is covered by a 3 year warranty.

The warranty covers any manufacturing defect in materials, workmanship and finish.

Any claim under this warranty must be made by going to your nearest Homebase store, taking your proof of purchase with you, and claims must be made within 3 years of the date of purchase.

We will offer you a free repair of the item where this is possible, or a replacement or a refund. Your statutory rights remain unaffected, in particular any rights you may have under the Consumer Rights Act 2015.

This warranty is given by HHGL Limited, MK9 1BA; HHGL (ROI) Limited, DO2 X576.

Please note: This warranty does not apply to products misused or neglected and only covers domestic use. It does not apply to commercial use of the product. The warranty period for the battery pack and charger is 1 year.