

# POWERBASE

27.2cc Petrol  
Blower and Vacuum 577163

## Instruction Manual

**IMPORTANT!**  
Please read these  
instructions fully before  
starting assembly.



These instructions contain important information that will help you get the best from your product, ensuring it is assembled correctly and safely. If you need help or have damaged or missing parts, call the Customer Helpline on 01904 727 509.

# Contents

|                         |    |
|-------------------------|----|
| General safety warnings | 3  |
| Intended use            | 14 |
| Warning symbols         | 15 |
| In the box              | 16 |
| Assembly                | 18 |
| Operation               | 24 |
| Maintenance and storage | 29 |
| Troubleshooting         | 32 |
| Technical data          | 34 |
| Disposal                | 35 |
| Getting help            | 35 |
| Warranty                | 35 |

# General Safety Warnings

## Safety warnings



### **WARNING! Read all safety warnings and instructions.**

Failure to follow the warnings and instructions may result in serious injury. Save all warnings and instructions for future reference.

- Always ensure anyone intending to operate this machine is fully conversant with the contents of this instruction manual prior to assembling, maintaining or operating the machine.
- Perform assembly operations exactly as described in this manual. Failure to observe this warning may lead to serious injury, death, or damage to the machine.
- Always take care when removing the packaging, to prevent damage to you or to the machine.

**IMPORTANT:** Before assembling the machine, check all the parts indicated in the manual are in the box. Inspect all the parts for signs of damage. Do not assemble the machine if you observe any damaged components.

**NOTE:** This machine complies with the Noise Emission Directive 2000/14/EC.

## General safety

- Use the product correctly. Injury or death is a possible result of incorrect use. Only use the product for the tasks found in this manual. Do not use the product for other tasks.
- Obey the instructions in this manual. Obey the safety symbols and the safety instructions. If the operator does not obey the instructions and the symbols, injury, damage or death is a possible result.
- Do not discard this manual. Use the instructions to assemble, to operate and to keep your product in good condition. Use the instructions for correct installation of attachments and accessories. Only use approved attachments and accessories.
- Do not use a damaged product. Obey the maintenance schedule. Only do the maintenance work that you find an instruction about in this manual. An approved service centre must do all other maintenance work.
- This manual cannot include all situations that can occur when you use the product. Be careful and use your common sense. Do not operate the product or do maintenance on the product if you are not sure about a situation. Speak to a product expert, your dealer, service agent or approved service centre for information.
- Disconnect the spark plug cable before you assemble the product, put the product into storage or do maintenance.

- Do not use the product if it is changed from its initial specification. Do not change a part of the product without approval from the manufacturer. Only use parts approved by the manufacturer. Injury or death is a possible result of incorrect maintenance.
- Do not breathe in the fumes from the engine. Long-term inhalation of the engines exhaust fumes is a health risk.
- Do not start the product indoors or near flammable material. The exhaust fumes are hot and can contain a spark which can start a fire. Insufficient airflow can cause injury or death because of asphyxiation or carbon monoxide.
- When you use this product the engine makes an electromagnetic field. The electromagnetic field can cause damage to medical implants. Speak to your physician and medical implant manufacturer before you operate the product.
- Do not allow a child to operate the product. Do not let a person without knowledge of the instructions operate the product.
- Make sure that you always monitor a person with decreased physical capacity or mental capacity that uses the product. A responsible adult must be there at all times.
- Lock the product in an area that children and unapproved persons cannot access.
- The product can eject objects and cause injuries. Obey the safety instructions to

decrease the risk of injury or death.

- Do not leave the product unattended when the engine is on.
- The operator of the product is responsible if an accident occurs.
- Make sure that parts are not damaged before you use the product.
- Make sure that you are at minimum 15m (50ft) away from other persons or animals before you use the product. Make sure that persons in the adjacent area know that you will use the product.
- Refer to national or local laws. They can prevent or decrease the operation of the product in some conditions.
- Do not use the product if you are fatigued or influenced by alcohol, drugs or medicine. They can have effects on your vision, alertness, coordination or judgment.

## **Vibration safety**

This product is for occasional operation only. Continuous or regular operation of the product can cause ‘white finger’ or equivalent medical problems from vibrations. Examine the condition of your hands and fingers if you operate the product continuously or regularly. If your hands or fingers have discoloration, have pain, tingle, or are numb, stop work and speak to a physician immediately.

### Personal protective equipment (PPE)

- Always use correct personal protective equipment when you operate the product. The personal protective equipment does not erase the risk of injury. The personal protective equipment decreases the grade of injury if an accident occurs.
- Wear heavy long pants, long sleeves, boots, and gloves. Do not wear loose fitting clothing, short pants, sandals, jewellery of any kind, or go barefoot.
- To reduce the risk of injury associated with objects being drawn into rotating parts, do not wear loose clothing, scarves, neck chains, etc.
- Use a helmet if it is possible that objects fall on your head.
- Always use approved ear protection while you operate the product. Noise for a long period can cause noise-induced hearing loss.
- Always use an approved dust mask while you operate the product in dusty environments.
- Check the work area before each use. Remove all objects, such as rocks, broken glass, nails, wire or string which can be thrown or become entangled in the machine.
- Make sure that you have a first aid kit near.

- Keep firm footing and balance. Do not overreach. Overreaching can result in loss of balance or exposure to hot surfaces.

## Stop switch

Start the engine. Make sure that the engine stops when you move the stop switch to the stop position.

## Muffler



**WARNING!** Do not touch the muffler if it is hot. The muffler is very hot while the engine runs and after it stops. If you touch the muffler, it can cause burns.

- Do not use an engine with a damaged muffler. A damaged muffler increases the noise level and the risk of fire. Keep a fire extinguisher near.
- Examine regularly that the muffler is attached to the product.
- Do not touch the engine or the muffler when the engine is on. Do not touch the engine or the muffler for a while after the engine stops. Hot surfaces can cause injuries.
- A hot muffler can cause a fire. Be careful, if you use the product near flammable liquids or fumes.
- Do not touch the parts in the muffler if the muffler is damaged. The parts can contain some carcinogenic chemicals.



- Some blower models are have a spark-arresting screen. Clean and replace the screen at specified intervals. See the Maintenance section.

## **Operation safety**

### **Safety instructions for operation of the blower**

- Use the product only for blowing or removal of leaves and other debris on the ground.
- Do not operate the product when you are tired, ill, or have used alcohol, drugs or medicine.
- Do not let bystanders or animals to be less than 15m (50ft) from the operator.
- The product can eject objects at high speed that can ricochet and hit the operator. This can cause eye damage.
- Do not point the blower nozzle in the direction of persons or animals.
- Make sure that long hair is put above your shoulders.
- Stop the engine before you assemble or disassemble the accessories or other components.
- Do not operate the product without the guard.
- Do not operate the product if there are persons in the work area. Stop the product if a person goes into the work area.

- Do not operate the product in a space with unsatisfactory airflow. If the airflow is not sufficient, it can cause injury or death because of asphyxiation or carbon monoxide.
- The muffler is very hot while the product is on, after it stops and when it runs at idle speed. Be careful near flammable materials and flammable fumes.
- Do not touch the inlet cover area. Keep jewellery and loosely hanging clothing away from the inlet area.
- Always keep correct footing and operate the product only on safe and level surfaces. Slippery or not stable surfaces, such as ladders, can cause a loss of balance or control.
- Do not operate the product in a high area, such as on a roof.
- Secure the product during transport.
- Operate the product only at the recommended hour. Obey the local regulations. Usual recommendations are 9:00 a.m. to 5:00 p.m. Monday through Saturday.
- Operate the product at the lowest possible throttle to do the work.
- Make sure that you cannot fall when you use the product. Do not tilt when you operate the product.
- Make sure that the product is in good condition before operation, specially the muffler, air intake and air filter.
- Use a rake or a broom to loosen ground debris before operation of the product.

- If the work area is dirty, spray it with a hose.
- Use the product as an alternative to a hose to save water.
- Blow debris safely. Look out for children, animals, open windows or vehicles.
- Do not point the product at easily damaged plants.
- Do not blow air in the direction of objects, such as walls, large rocks, vehicles and fences.
- If you do work at inner corners, blow from the corner and into the centre of the work area. If not, debris can hit your face and cause eye injury.
- Use the full nozzle extension to keep the air stream near the ground.
- It is necessary that bystanders wear eye protection.
- Dispose of the debris in the waste receptacles after use of the product.

## **Safety instructions for operation of the vacuum**

- Prevent damage to the fan. Do not vacuum large, solid objects, such as wood, cans, rubber mulch or long pieces of string.
- Do not let the vacuum tube hit the ground.
- Stop the engine and disconnect the spark plug cap before you remove a blockage or clogged material.

## Fuel safety

- Do not start the product if there is fuel or engine oil on the product. Remove the unwanted fuel/oil and let the product dry. Remove unwanted fuel from the product.
- If you spill fuel on your clothing, change clothing immediately.
- Do not get fuel on your body, it can cause injury. If you get fuel on your body, use soap and water to remove the fuel.
- Do not start the engine if you spill oil or fuel on the product or on your body.
- Do not start the product if the engine has a leak. Examine the engine for leaks regularly.
- Be careful with fuel. Fuel is flammable and the fumes are explosive and can cause injuries or death.
- Do not breathe in the fuel fumes, it can cause injury. Make sure that there is sufficient airflow.
- Do not smoke near the fuel or the engine.
- Do not put warm objects near the fuel or the engine.
- Do not add the fuel when the engine is on.
- Make sure that the engine is cool before you refuel. Before you refuel, open the fuel tank cap slowly and release the pressure carefully.
- Do not add fuel to the engine in an indoor area. Insufficient airflow can cause injury or death because of asphyxiation or carbon monoxide.

- Tighten the fuel tank cap carefully or a fire can occur.
- Move the product at a minimum of 3m (10ft) from the position where you filled the tank before a start.
- Do not put too much fuel in the fuel tank.
- Make sure that a leak cannot occur when you move the product or fuel container.
- Do not put the product or a fuel container where there is an open flame, spark or pilot light. Make sure that the storage area does not contain an open flame.
- Only use approved containers when you move the fuel or put the fuel into storage.
- Empty the fuel tank before long-term storage. Obey the local law on where to dispose of fuel.
- Clean the product before long-term storage.
- Remove the spark plug cable before you put the product into storage to make sure that the engine does not start accidentally.

## Maintenance and storage



**WARNING!** Incorrect maintenance can result in serious engine damage or in serious injury.

The owner is responsible for the performance of all necessary maintenance as specified in the operator's manual. Disconnect the spark plug before maintenance.

Keep all nuts, bolts and screws tight, to be sure the equipment is in safe working condition.

Never store the equipment with petrol in the tank inside a building where it can reach an open flame or spark.

Allow the engine to cool before storing in any enclosed space.

Replace worn or damaged parts for safety

If the fuel tank has to be drained, it should be done outdoors.

Service on the equipment must be performed by qualified repair person only. Service or maintenance performed by unqualified person could result in injury to the user or damage to the product.

## **Intended Use**

The device is designed only for blowing and suction of light DRY debris, such as leaves, grass, mulch and clippings from domestic gardens. Avoid wet materials, as it may lead to congestion in the shredder unit and lead to reduced functionality. Every other utilisation, which is not explicitly approved in these directions, can lead to damage to the device and represents a serious danger to the user.

For safety reasons, it is essential to read the entire instruction manual before first operation and to observe all the instructions herein.

This product is intended for private domestic use only, not for any commercial trade use. It must not be used for any other purposes.

# Warning Symbols



Warning!



Read the manual



Wear hearing protection and eye protection (PPE) when using the device.



Do not go near the impeller as it turns.



Full choke



Half choke



No choke



Hot surfaces will burn the hands!



Warning! The blowers exhaust gas contains toxic substances. Do not run the engine in closed or poorly-ventilated areas.



Keep bystanders away.



Guaranteed sound power level.



Conforms to relevant EU regulatory requirements.



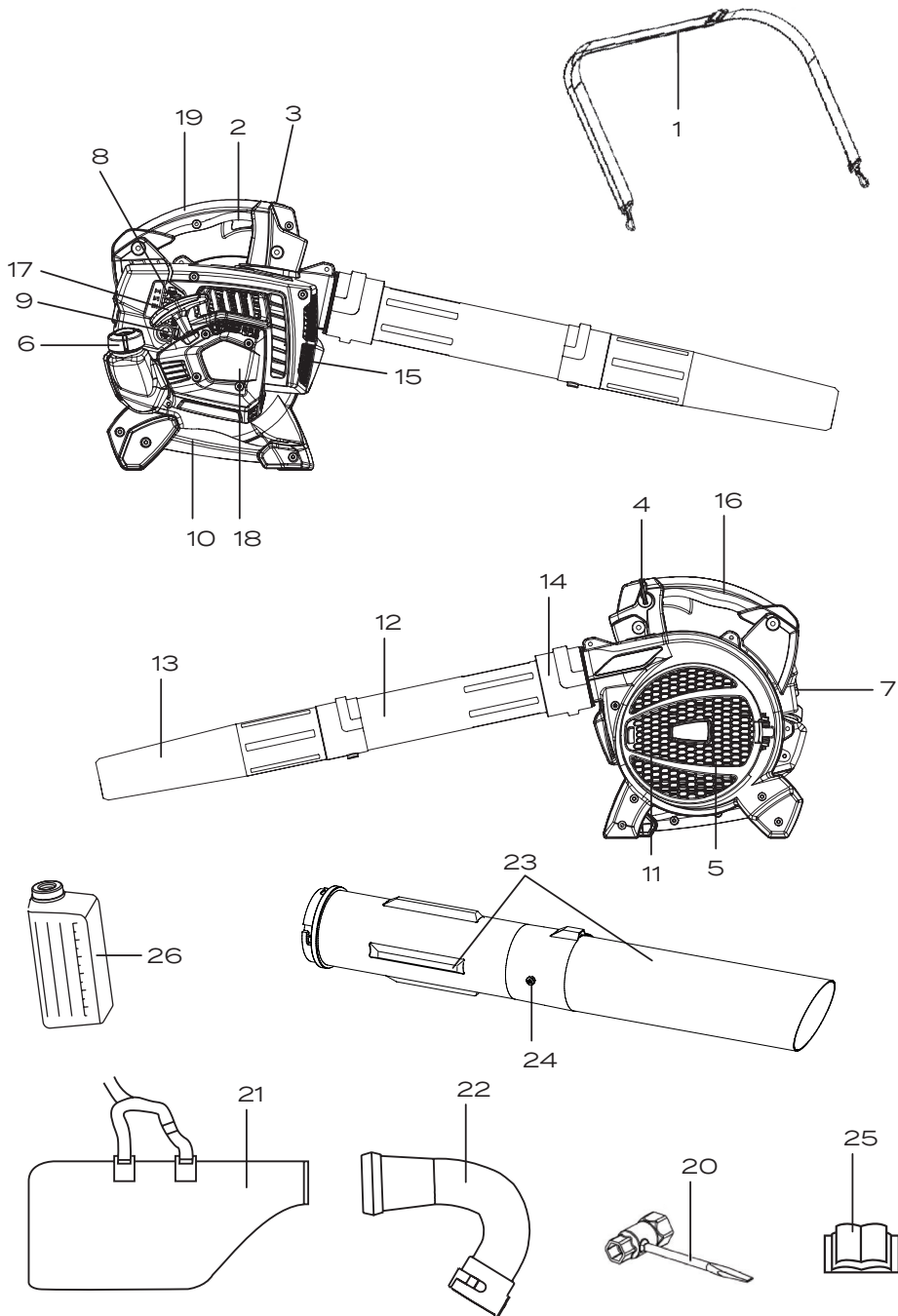
Conforms to relevant UK regulatory requirements.

# In the Box

## Parts

1. Shoulder strap
2. Throttle trigger
3. STOP switch
4. Cruise control
5. Fan housing
6. Fuel tank cap
7. Air filter
8. Choke control
9. Primer bulb
10. Vacuum handle
11. Fan impeller
12. Upper blower tube
13. Lower blower tube
14. Bolt
15. Muffler
16. Soft grip
17. Starter rope handle
18. Starter device
19. Handle
20. Combination tool
21. Collection bag
22. Collection bag tube
23. Vacuum tube in two sections
24. Screw
25. Operator's manual
26. Oil mix bottle





# Assembly



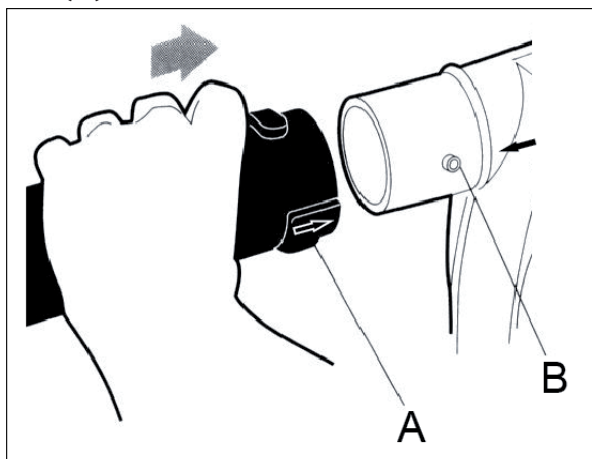
## WARNING!

Read the safety chapter before you assemble the product.

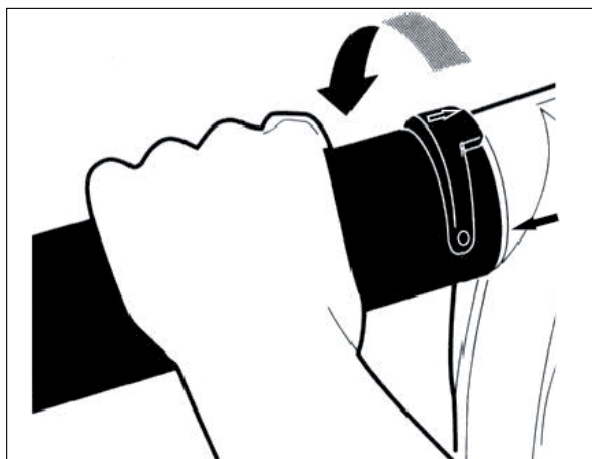
## Assembly for blower mode

### To install the upper blower tube

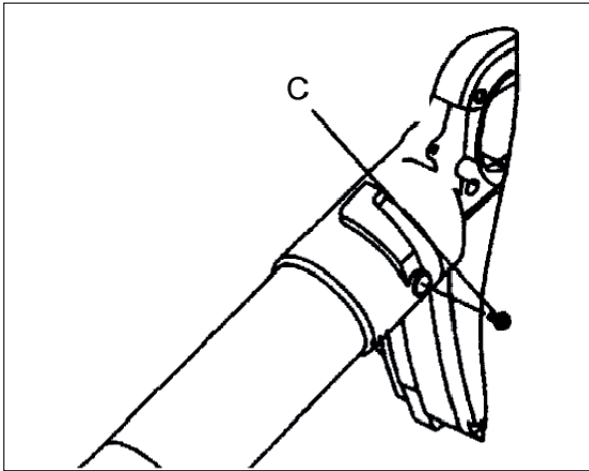
1. Align the slot on the upper blower tube (A) with the tab in the blower outlet (B).



2. Push the upper blower tube fully onto the blower outlet.
3. Turn the upper blower tube until the hole in the tube is aligned with the threads in the nut in the blower outlet.



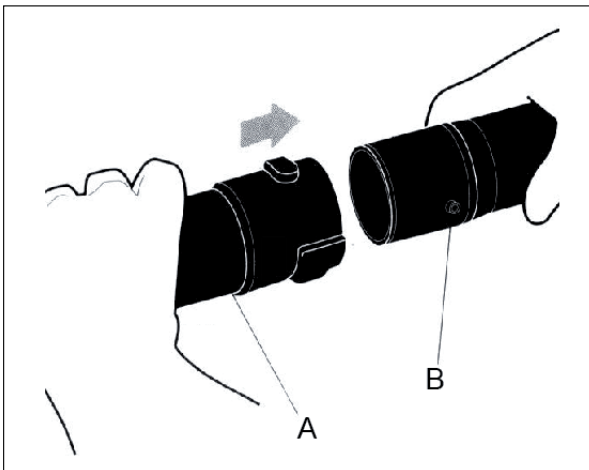
4. Install the screw (C).



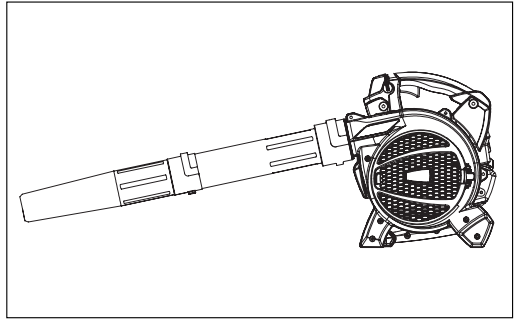
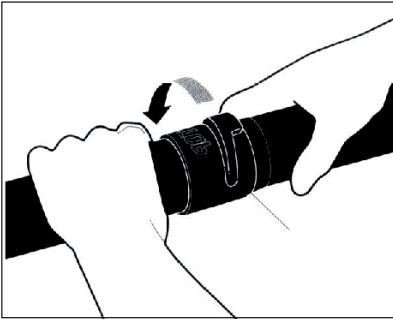
5. Turn the screw clockwise with a screwdriver to attach the tube.

### To install the lower blower tube

1. Align the slots on the lower blower tube (A) with the tabs on the upper blower tube (B).



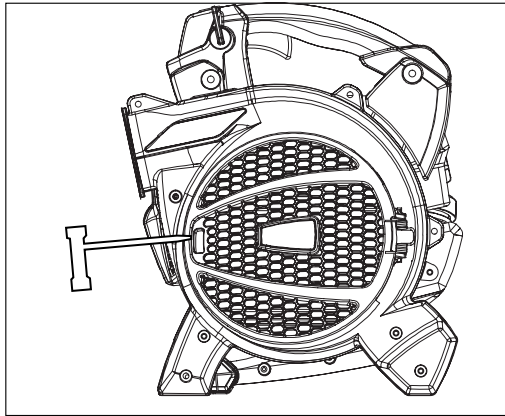
2. Push the lower blower tube fully onto the upper blower tube.
3. Turn the lower blower tube fully until the tab is engaged at the end of the slot.



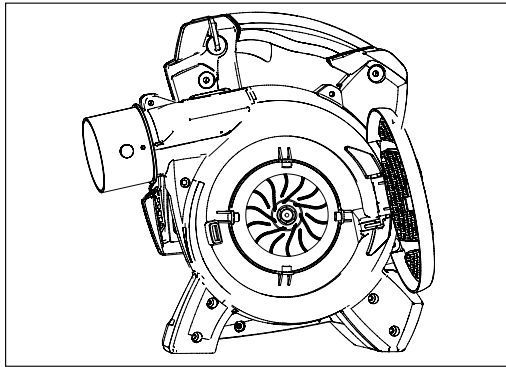
## Assembly for vacuum mode

### To install the upper vacuum tube

1. Insert the tip of a screwdriver into the latch area of the vacuum inlet.



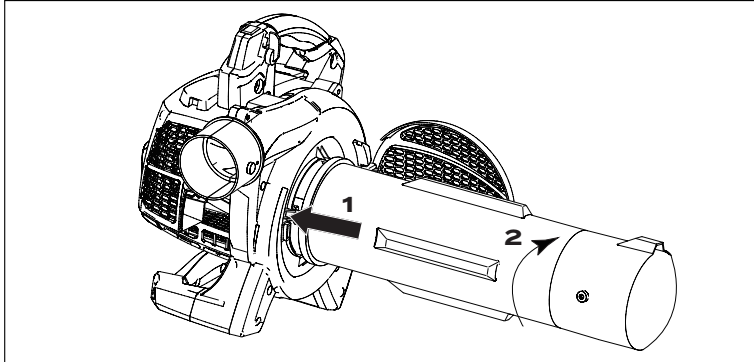
2. Gently tilt the handle of the screwdriver toward the front of the product to release the latch.
3. Hold the vacuum inlet cover open until the upper vacuum tube is in place.



4. Align the rib on the inside of the vacuum inlet with the slots on the upper vacuum tube.

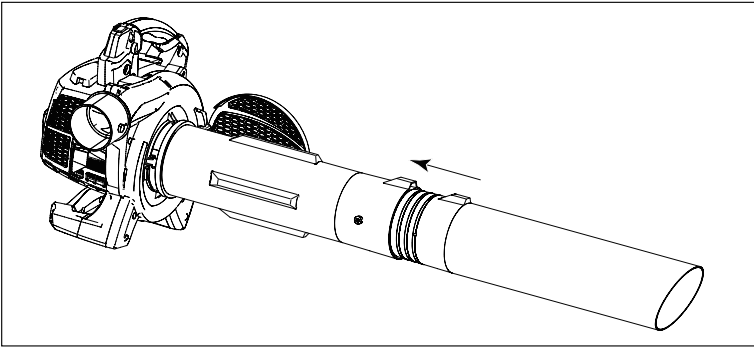
**Note:** Align the indicators at the vacuum inlet opening and on the upper vacuum tube.

5. Push the upper vacuum tube fully into the vacuum inlet.
6. Turn the upper vacuum tube fully clockwise until you feel a click.

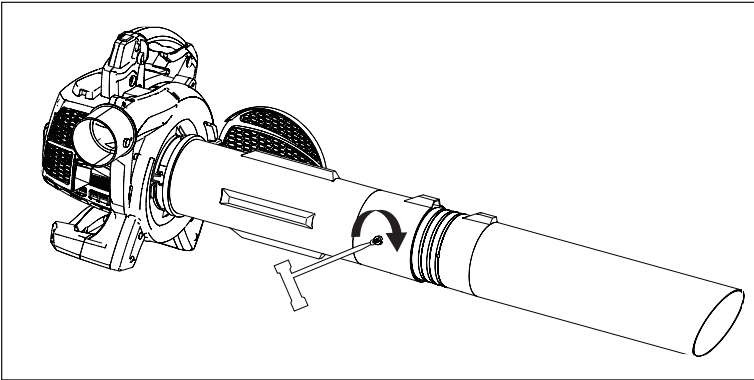


## To install the lower vacuum tube

1. Align the slot on the lower vacuum tube with the tab on the upper vacuum tube.
2. Push the lower vacuum tube fully onto the upper vacuum tube until the tab is engaged at the end of the slot.

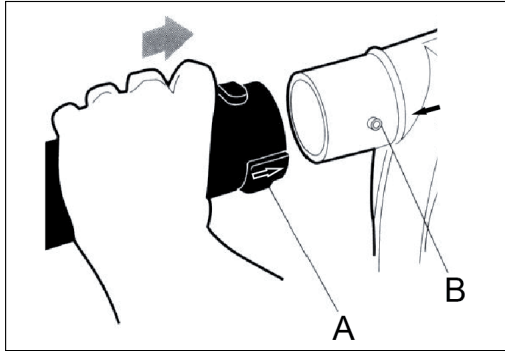


3. Install the screw.
4. Turn the screw clockwise with a screwdriver to attach the tube.

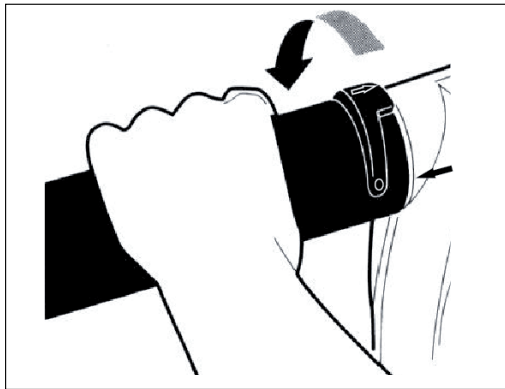


## To install the collection bag tube

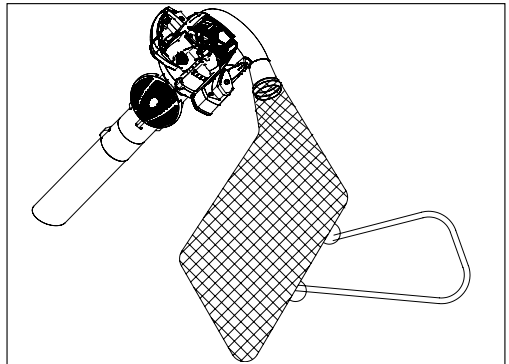
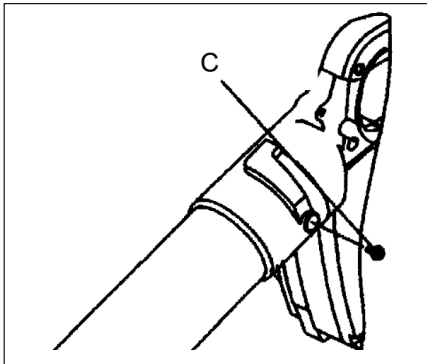
1. Align the slot on the collection bag tube (A) with the tab in the blower outlet (B).



2. Push the collection bag tube fully onto the blower outlet.
3. Turn the collection bag tube until the hole in the tube is aligned with the threads in the nut in the blower outlet.



4. Turn the screw clockwise with a screwdriver to attach the tube.



# Operation



**WARNING!** Read and understand the safety chapter before you operate the product.

## Fuel

### To use fuel



**CAUTION:** This product has a 2-stroke engine. Use a mixture of gasoline and 2-stroke engine oil. Make sure to use the correct quantity of oil in the mixture.

Incorrect ratio of gasoline and oil can cause damage to the engine.

### Gasoline



**CAUTION:** Do not use gasoline with an octane number less than 90 RON (87 AKI). This can cause damage to the product.



**CAUTION:** Do not use gasoline with more than 10% ethanol concentration (E10). This can cause damage to the product.

- Always use new unleaded gasoline with a minimum octane number of 90 RON (87 AKI) and with less than 10% ethanol concentration (E10).
- Use gasoline with a higher octane number if you frequently use the product at continuously high engine speed.

### 2-stroke engine oil

- Use only high quality two-cycle engine oil. Use only an air cooled engine oil.
- Do not use other types of oil.
- Mixture ratio 40:1 (25%)

This product is powered by a 2-stroke engine and requires pre-mixing of petrol and 2-stroke oil. Mix a high quality 2-stroke engine oil, according to JASO FC classic. Do not use automotive oil or 2-stroke outboard oil. DO NOT mix quantities larger than usable in a 30-day period.



## To make the fuel mixture

**Note:** Always use a clean fuel container when you mix the fuel.

**Note:** Do not make more than 30 days quantity of fuel mixture.

1. Add half of the gasoline quantity.
2. Add the full quantity of oil.
3. Shake the fuel mixture to mix the contents.
4. Add the remaining gasoline quantity.
5. Shake the fuel mixture to mix the contents.
6. Fill the fuel tank.

## To add fuel

- Always use a fuel container with an anti-spill valve.
- If there is some fuel on the container, remove the unwanted fuel and let the container dry.
- Make sure that the area near the fuel tank cap is clean.
- Shake the fuel container before you add the fuel mixture to the fuel tank.

## To start and stop

### Before you start the engine

- Examine the product for missing, damaged, loose or worn parts.
- Examine the collection bag. Make sure that the collection bag is not damaged and that the zip is closed.
- Examine the nuts, screws and bolts.
- Examine the air filter.
- Examine the throttle trigger for correct operation.
- Examine the stop switch for correct operation.
- Examine the product for fuel leaks.

### To start a cold engine



**WARNING!** Do not wind the starter rope around your arm.

**CAUTION:** Do not hold the product with your foot.



**CAUTION:** Do not pull the starter rope to the end position. Do not let go of the starter rope handle when the starter rope is extended. This can cause damage to the product.

**Note:** If the engine stops, move the choke control to the closed position and do the starting steps again.

1. Fill the fuel tank with a clean fuel mixture.
2. Use your left hand to hold the body of the machine on the ground. Make sure the blower end is pointed away from persons, animals, glass and solid objects.
3. Slowly push the air purge bulb 10 times.
4. Move the choke lever to the FULL CHOKE position.
5. Squeeze and hold the throttle trigger.
6. Pull the starter rope handle quickly until the engine tries to run, but no more than 3 pulls.

**Note:** If the temperature is less than 4°C (40°F), continue to pull the starter rope handle until the engine tries to start.

7. Move the choke lever to the HALF CHOKE position.
8. Pull the starter rope handle quickly until the engine runs.
9. Let the engine run for 10 seconds.
10. Move the choke lever to the NO CHOKE position.

### **To start a warm engine**

1. Slowly push the air purge bulb 10 times.
2. Move the choke lever to the HALF CHOKE position.
3. Pull the starter rope handle quickly until the engine runs.
4. Move the choke lever to the NO CHOKE position.

### **To start an engine with vapour lock**

Vapour lock occurs when the fuel in the fuel line or carburetor vapourizes because of increased heat.

The product may have vapour lock if it does not restart in an ambient temperature of more than 35°C (95°F) and it has been shut off for 15-45 minutes.

1. Push the air purge bulb again and again for 10-15 seconds.
2. Move the choke lever to the HALF CHOKE position.
3. Pull the starter rope handle quickly until the engine runs.

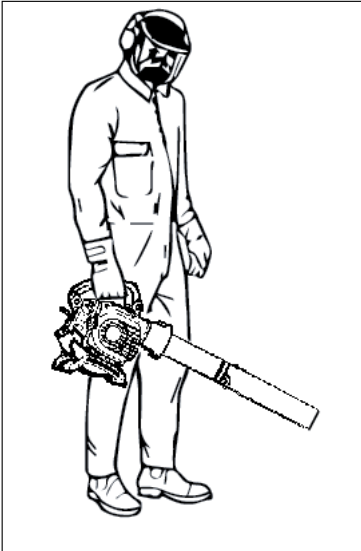
4. Let the engine warm up for 3 minutes at idle speed.
5. Move the choke lever to the NO CHOKE position.

### To stop the engine

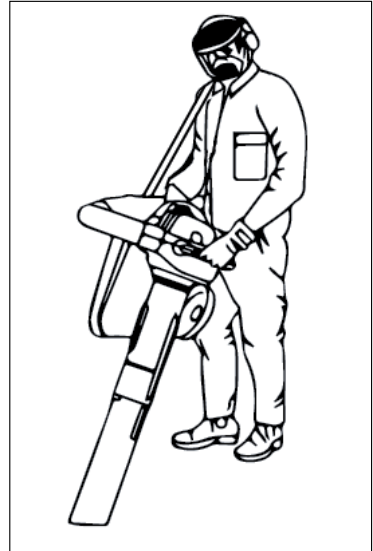
Press and hold the engine STOP switch until the engine stops. The switch automatically returns to the ON position. Wait 7 seconds before you try to restart the product to make sure that the switch resets.

## Operation position

• Blower



• Vacuum



## To vacuum

Before you vacuum, put on the necessary safety equipment.



**WARNING!** Make sure that the collection bag is not damaged and that the zip is closed before use. Do not use a bag that is damaged. This prevents injury caused by flying debris. Left hand operation increases the risk. Do not let your body touch the exhaust outlet area.



**WARNING!** Do not start the blower, if the inlet cover is open or damaged (except if the vacuum tube is fitted).

- During operation of the blower, the collection bag must be held by the shoulder strap. The strap must be worn on the top of the shoulder.
- Start the blower. Obey the instructions in the start and stop section To start and stop. Read the safety instructions SAFETY.

## To empty the collection bag



**WARNING!** Always examine the collection bag. Make sure that it is not damaged and that the zip is closed before use. Do not use a damaged bag. There is a risk of injury because of flying debris. Be careful if left hand operation is applied. Do not touch the exhaust outlet area.

1. Stop the product.
2. Open the zip on the side.
3. Empty the collection bag.
4. Close the zip.

# Maintenance and Storage



**WARNING!** Read and understand the safety chapter before you clean, repair or do maintenance on the product.

## Maintenance schedule

Make sure that you obey the maintenance schedule. The intervals are calculated from daily use of the product. The intervals are different if you do not use the product each day. Only do the maintenance work that is found in this manual. Speak to an approved service centre about other maintenance work not found in this manual.

### Daily maintenance

- Clean the external surfaces.
- Examine the speed control and the throttle trigger function. Replace damaged parts.
- Examine the stop switch. If it is necessary, replace it.
- Examine the idle speed.
- Clean the air filter. If it is necessary, replace it.
- Make sure that the inlet cover can be locked in closed position. Make sure that the impeller is clean.
- Tighten all nuts and screws.
- Make sure that the housings are free of cracks.
- Make sure that the collection bag is not damaged and that the zip works. Replace the bag if necessary.

### Weekly maintenance

- Examine the condition of the starter device, the starter rope and the tension spring. Replace all damaged parts.
- Examine the condition of the air intake at the starter device. Remove debris if the air intake is clogged.
- Clean the external side of the spark plug. Remove it and examine the electrode gap. Adjust the distance to 6mm (0.024 in) or replace the spark plug.
- Clean the blades on the impeller.

- Clean the spark-arresting screen and replace it if necessary (not on mufflers with a catalytic converter).
- Clean the carburetor area.
- Clean the air filter.

### **Monthly maintenance**

- Examine the starter rope handle and the starter rope.
- Clean the fuel tank.
- Clean the carburetor and the area around it.
- Clean the blades on the impeller.
- Examine the fuel lines for cracks or other damage. Change if necessary.
- Change the fuel filter in the fuel tank.
- Examine all cables and connections.
- Replace the spark plug.
- Change the air filter.

### **Yearly maintenance**

- Examine the spark plug.
- Clean the external surface of the carburetor and its adjacent areas.
- Clean the cooling system.
- Examine the spark-arrester screen.
- Examine the fuel filter.
- Examine the fuel hose for damage.
- Examine all cables and connections.

### **50 hours maintenance**

- Have an approved service centre repair or replace the muffler.

## To do maintenance on the spark-arrester screen

Use a wire brush to clean the spark-arrester screen.

## To clean the cooling system

Clean the parts of the cooling system with a brush.

## To replace the spark plug



**CAUTION:** Always use the recommended spark plug type. Incorrect spark plug type can cause damage to the product.

- Replace the spark plug, if necessary.

## To do the maintenance to the air filter

### To clean the air filter

1. Remove the air filter cover and remove the air filter.
2. Clean the air filter with warm soapy water. Make sure that the air filter is dry before you install it.
3. Replace the air filter if it is too dirty to fully clean it. Always replace a damaged air filter.
4. If your product has a foam air filter, apply air filter oil. Only apply air filter oil to a foam filter. Do not apply oil to a felt filter.

## Storage

1. Clean the blower or vacuum tubes thoroughly before storing.
2. Store the blower vac in a dry, well-ventilated place that is inaccessible to children. Store the tool locked up to prevent unauthorised use or damage.

# Troubleshooting

| <b>Fault</b>                   | <b>Possible Cause</b>                                   | <b>Solution</b>  |
|--------------------------------|---|--|
| Engine not starting            | Empty tank  | Fill up  |
|                                | Flooded engine  | Close the throttle, start for several times, in case of need take out the spark plug and dry it. |
|                                | Fouled spark plug (remains of carbon on the electrodes) | Clean the spark plug, check its temperature, replace if needed.                                  |
|                                | Electrode gap too large                                 | Adjust at 0.6-0.7mm.   |
|                                | Fouled carburettor or its jets                          | Clean the carburettor with air.  |
|                                | Damaged spark plug connection or damaged spark plug     | Replace the spark plug.  |
| Engine runs too fast when idle | Cold engine   | Warm up slowly; alternatively, close the choke a bit.  |



| <b>Fault</b>                            | <b>Possible Cause</b>   | <b>Solution</b>   |
|---|---|---|
| Engine does not reach its maximum speed | Fouled spark plug (remains of carbon on the electrodes) electrodes too far away | Clean the spark plug, check its temperature, replace if needed. Adjust at 0.6-07mm.     |
|   | Fouled carburettor or its jets  | Clean the carburettor with air.   |
|   | Fouled air filter   | Clean   |
|   | Exhaust, exhaust channel  | Take out the exhaust and clean it, remove remains of carbon.                            |
|   | Sealing ring in crankcase not sealing properly                                  | Replace   |
|   | Worn cylinders, pistons and piston rings  | Replace the cylinder, piston or piston rings, reface the cylinder and piston, assemble. |
|   | Wrong fuel mix (too much oil)   | Fill up according to the instructions.  |
|   | Bad ignition  | Adjust the ignition coil gap (0.3-0.4mm).   |
| Engine would not stop                   | Spark plug is light grey with signs of heating (heating drops)                  | Install a spark plug with a higher thermal value.                                       |
|   | Remains of carbon in the combustion area.                                       | Clean cylinder head, piston bottom and cylinder channels.                               |

# Technical Data

| Property  | Value   |
|---|---|
| Model no.   | EBV280A                                       |
| Engine type                                       | Single-cylinder 2-stroke                      |
| Displacement (cm <sup>3</sup> )                   | 27.2cm <sup>3</sup>                           |
| Engine power                                      | 0.8kW   |
| Tank capacity                                     | 0.5L  |
| Max. engine speed blower                          | 7500min <sup>-1</sup>                         |
| Max. engine speed Vacuum                          | 7000min <sup>-1</sup>                         |
| Fuel ratio (petrol: 2-stroke motor oil)           | 40: 1   |
| Dust bag  | 40L   |
| Net weight  | 6.54kg  |
| Sound pressure level L <sub>PA</sub> (dB)         | 89.9 dB(A), K=3.0dB(A)                        |
| Sound power level L <sub>WA</sub> (dB)            | 105 dB(A), K=3.0dB(A)                         |
| Guaranteed sound power level L <sub>WA</sub> (dB) | 108 dB(A)                                     |
| Vibration (m/s <sup>2</sup> )                     | 3.158m/s <sup>2</sup> , K=1.5m/s <sup>2</sup> |
| Spark type  | RCJ6Y   |

# Disposal

The Blower & Vac and its accessories are made of various recyclable materials. Dispose of the Blower & Vac in accordance with your local recycling regulations.

# Getting Help

Our dedicated UK-based customer helpline is open 7 days a week to assist you with assembly, parts queries and technical support. We are open during office hours but you can always send an email via **support@coreservice.co.uk**. Our experts are here to get you back enjoying your garden in no time.

For useful assembly, starting and maintenance videos, and for ordering spares, please visit **www.coreservice.co.uk**.

Calling our service does not affect your statutory rights.

# Warranty

This product is covered by a 2-year warranty.

The warranty covers any manufacturing defect in materials, workmanship, and finish.

Any claim under this warranty must be made by going to your nearest Homebase store,

taking your proof of purchase with you. Claims must be made within 2 years of the date of purchase.

We will offer you a free repair of the item where this is possible, or a replacement or a refund. Your statutory rights remain unaffected, in particular, any rights you may have under the Consumer Rights Act 2015.

This warranty is given by HHGL Limited, MK9 1BA; HHGL (ROI) Limited, DO2 X576.

PLEASE NOTE: This warranty does not apply to products misused or neglected, and only covers domestic use. It does not apply to commercial use of the product.