

# POWERBASE

30cm 450W Electric  
Grass Trimmer 577144

## Instruction Manual

### IMPORTANT!

Please read these  
instructions fully before  
starting assembly.



These instructions contain important information that will help you get the best from your product, ensuring it is assembled correctly and safely. If you need help or have damaged or missing parts, call the Customer Helpline on 0343 515 1905.

# Contents

Safety Information	3
In the box	12
Assembly	14
Operating Instructions & Tips	16
Maintenance	20
Troubleshooting	23
Technical Data	24
Disposal	25
Getting Help	25
Warranty	26

# Safety Information

## Warning symbols

Important - Please read these instructions fully before starting assembly.

The following warning symbols appear throughout this instruction manual and indicate the appropriate safety measures you should take when assembling and operating the trimmer.



Read the instruction manual.



Wear ear and eye protection (PPE).



Do not expose to rain.



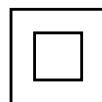
Disconnect the mains plug if the cord is damaged or entangled.



Keep bystanders away.



Guaranteed sound power level data (96dB), in accordance with Directive 2000/14/EC.



Class II equipment.



Waste electrical products should not be disposed of with household waste.

■ Please recycle where facilities exist.

Check with your local authority or store for recycling advice.

**CE** The product complies with the applicable European directives and an evaluation method of conformity for these directives was done.

**UK  
CA** The product complies with the applicable UK directives and an evaluation method of conformity for these directives was followed.



**Important!** When using this equipment, the following safety precautions must be followed to avoid injuries and damage.

- This machine can be used by children aged from 8 years and above and persons with reduced physical, sensory or mental capabilities or lack of experience and knowledge, if they have been given supervision or instruction concerning use of the appliance in a safe way and understand the hazards involved.
- Children shall not play with the trimmer. Cleaning and user maintenance shall not be made by children without supervision.
- Read all operating instructions carefully and comply with them. It is important to understand these instructions and to acquaint yourself with the machine, its correct usage and all safety requirements.
- Keep this manual in a safe place so that the information is available at all times.

- If you give the equipment to any other person, give them these operating instructions as well.
- We accept no liability for damage or accidents which result from non-compliance with these instructions.

### Safety warning



**WARNING!** Be extra careful when using mains-powered equipment. Basic safety precautions, including the following, should always be followed to reduce the risk of fire, electric shock and personal injury.

- Before use, check the supply and extension cord for signs of damage or ageing. If the cord becomes damaged during use, disconnect the cord from the supply immediately. **DO NOT TOUCH THE CORD BEFORE DISCONNECTING THE SUPPLY.** Do not use the appliance if the cord is damaged or worn.
- Read the instructions carefully. Be familiar with the controls and proper use of the equipment.
- Keep the extension cord away from the cutting elements.
- Wear eye protection, long trousers and suitable shoes while operating the machine.

- Never allow children or people unfamiliar with these instructions to use the trimmer.
- Avoid using the trimmer if bystanders, especially children or pets, are nearby.
- Use the trimmer only in daylight or good artificial light.
- Avoid using the machine in bad weather conditions, especially when there is a risk of lightning.
- Never operate the trimmer with damaged guards or shields, or without guards or shields in place.
- Only switch on the motor when your hands and feet are a safe distance from the cutting means.
- Never fit metal cutting elements to this trimmer.
- Use only the manufacturer's recommended replacement parts and accessories.
- Always disconnect the machine from the power supply:
  - 1) whenever the machine is left unattended;
  - 2) before clearing a blockage;
  - 3) before checking, cleaning or working on the machine;
  - 4) after striking a foreign object;
  - 5) whenever the machine starts vibrating abnormally.
- Inspect and maintain the trimmer regularly. Have the trimmer repaired only by an authorised repairer.

- Take care against injury from the line cutter on the grass guard which controls the cutting line length. After adjusting or extending new cutter line, always return the trimmer to its normal operating position before switching on.
- Always ensure that the ventilation openings are kept clear of debris.
- When not in use, store the trimmer out of the reach of children.
- If the supply cord is damaged, it must be replaced by a qualified service agent to avoid further risk of electrocution or injury.
- Ensure you are familiar with the controls and proper use of the equipment.
- Before use, always check the supply and extension cord for signs of damage or ageing.
- If the cord becomes damaged during use, disconnect the plug from the mains supply immediately. Do not touch the cord before disconnecting the plug from the mains supply.
- Never use the lawn trimmer if the mains cords are damaged or worn.
- Warning: Cutting elements continue to rotate after the motor is switched off.
- Keep extension cords away from cutting elements at all times.
- For the safe operation of this machine, it should always be used together with a residual current device (RCD) with a tripping current of not more than 30mA.



**ATTENTION!** Danger! The cutting line continues to rotate for a few moments after the motor is switched off.

## Precautionary measures

### Work area

- Do not expose the appliance to rain. Do not use the appliance in damp or wet conditions.
- Only use the appliance in daylight or good artificial light.

### Personal protection

- Wear suitable shoes or boots to protect your feet. Do not operate the appliance wearing open-toed sandals or when barefoot.
- Wear long trousers to protect your legs.

### Using your trimmer

- Be sure that the trimmer is switched off before connecting it to the mains supply.
- Stay alert at all times. Take care with what you are doing. Use common sense.
- Do not operate the appliance when you are tired.
- If the appliance begins to vibrate abnormally, switch it off and remove the plug from the socket. Allow rotating parts to stop and inspect the trimmer for damage and loose parts.



- Never pull the cord to disconnect the plug from the socket. Keep the cord away from heat, oil and sharp edges.
- If the main cable becomes damaged during use, switch the appliance off and disconnect the plug from the mains immediately. Do not touch the mains cable before disconnecting from the mains.

## **Safety of others**

- Do not allow children or any person unfamiliar with these instructions to operate the appliance.
- Do not allow children, bystanders or animals to come near the work area, or to touch the appliance or mains cable.
- Remember that the operator maybe held responsible for the accidents or hazards occurring to other people or their property.

## **After use**

- Switch off, remove the plug from the socket and ensure that moving parts have stopped rotating before leaving the appliance unattended and before changing, cleaning or inspecting any parts of the appliance.
- When not in use, the appliance should be stored in a dry place. Children should not have access to stored appliances.

## **Inspection and repairs**

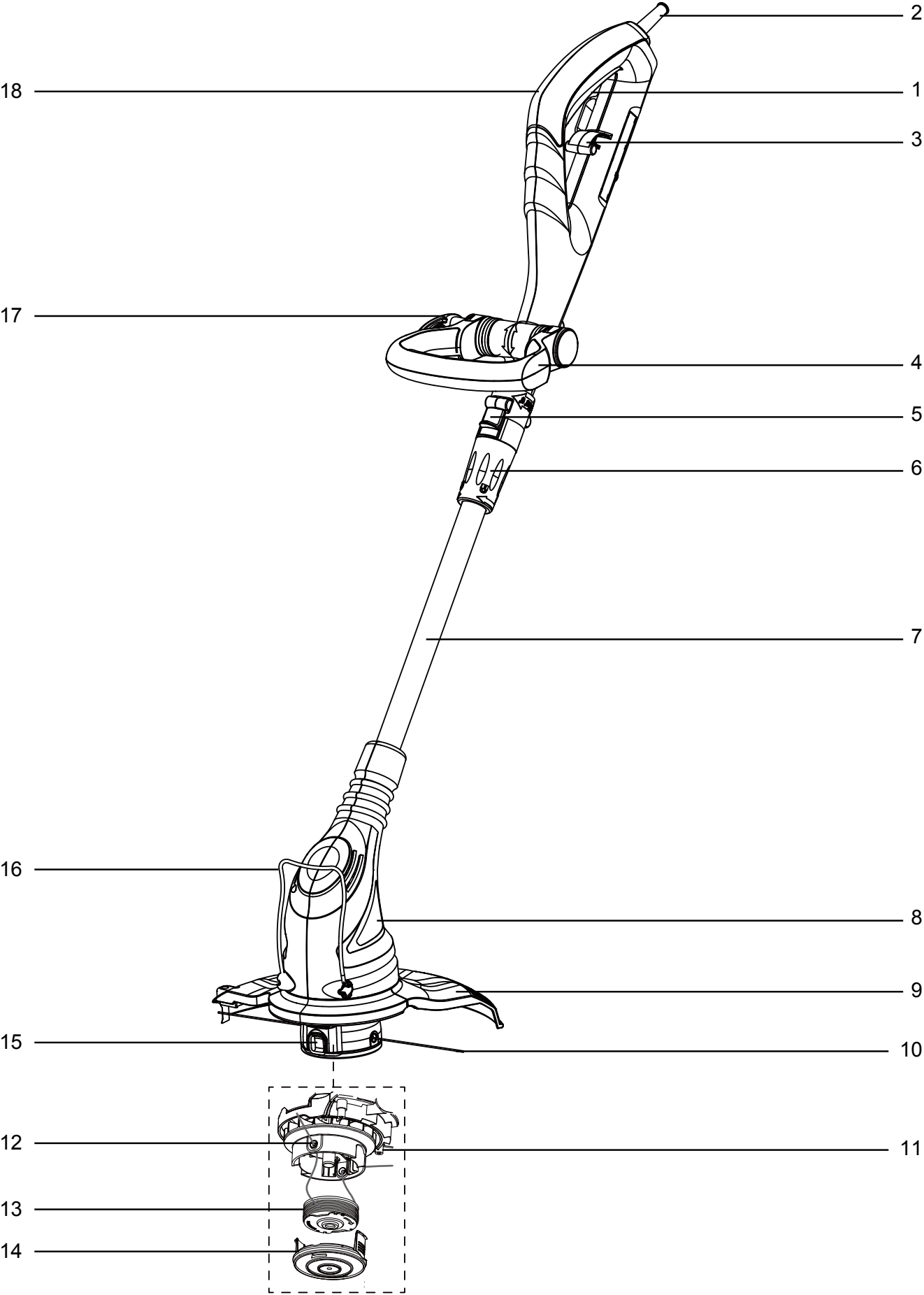
- Before use, check the trimmer for damaged or defective parts. Check for misalignment and seizure of moving parts, broken parts, damage to guards and switches, or any other conditions that may affect its operation.
- Do not use the appliance if any part is damaged or defective. Do not use the appliance if the switch does not turn it on and off.
- Never use the appliance when any guard or housing element is damaged or not in place.
- Ensure that the appliance will operate properly and perform its intended function.
- Have any damaged or defective parts repaired or replaced by an authorised repair agent.
- Before use, check the mains cable for signs of damage, ageing or wear.
- Do not use the appliance if the mains cable is damaged or defective.
- If the mains cable is damaged or defective it must be repaired by an authorised repair agent to avoid any further hazard.
- Never attempt to remove or replace any parts other than those specified in this manual.

## **General safety during usage**

This tool is double insulated; therefore, no earth wire is required. Always check that the power supply corresponds to the voltage on the rating plate.

- Before using the trimmer, check that your cutting path is free from sticks, stones, wire and any other dangerous objects that may cause damage or be thrown from the device.
- Only use the trimmer in the correct position, with the cutting line near the ground. Never switch it on in any other position.
- Switch on the appliance only when hands and feet are at a safe distance from the cutting line.
- Avoid any body contact with the cutting line while the trimmer is running.
- Do not work on steep slopes; be sure of your footing. Be aware that freshly cut grass is damp and slippery.
- Only use the correct cutting line. Never use metal cutting line or fishing line.
- After extending new cutting line, always return the appliance to its normal operating position before switching on.
- Take care to keep the mains cable away from the cutting line. Always be aware of the position of the cable.

# In the Box



## Parts

1	On/Off switch	10	Cutting line
2	Power cable	11	Line release button
3	Power cable strain relief	12	Line eyelet
4	Auxiliary handle	13	Spool cap
5	Lever for tube and cutting head angle adjustment	14	Line spool
6	Screw sleeve for tube length adjustment	15	Cutter head with line spool
7	Telescopic tube	16	Flower guard
8	Motor housing	17	Winged nut
9	Safety guard	18	Main handle

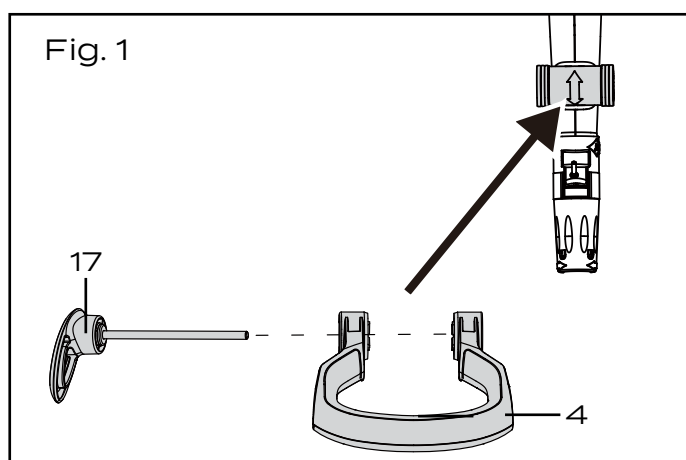
# Assembly

**⚠ WARNING!** Before assembly, make sure that the trimmer is switched off and unplugged.

## Step 1 - Assembling the auxiliary handle

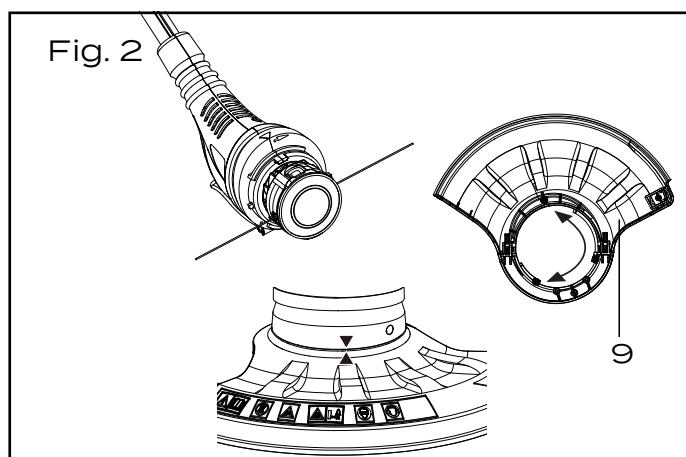
Carefully unpack the trimmer and check that it is complete:

- Pull open the ends of the auxiliary handle to extend it and slide it over the handle mount (Fig. 1).
- Fasten the auxiliary handle (4) with the rod and winged nut (17) (Fig. 1).



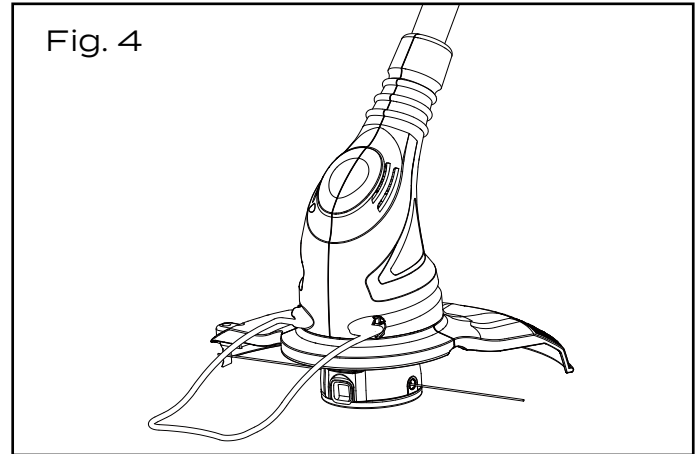
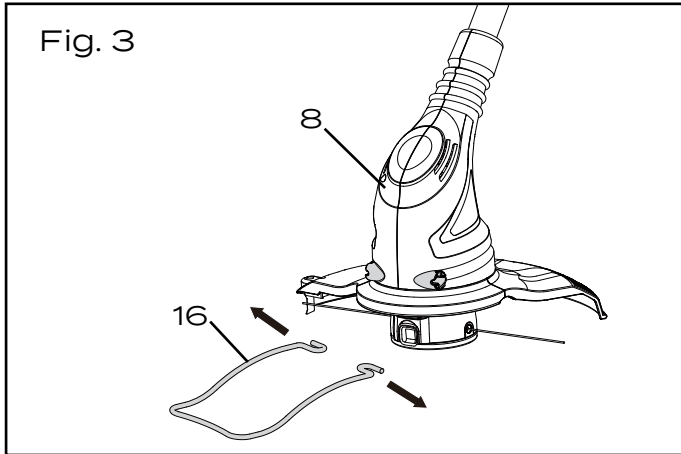
## Step 2 - Assembling the safety guard

- Fold open the retainer on the plastic guard.
- Place the safety guard (9) in the guide and make sure that the two marks '▲' on the safety guard and motor head are aligned (Fig. 2).
- Tighten the 3 screws to secure the safety guard.



### Step 3 - Fitting the flower guard

- To position the flower guard (16), insert one end into the channel on the side of the motor housing (8), making sure it is secured in place. Apply outward pressure to the other side and insert it into the opposite channel (Fig. 3).



# Operating Instructions & Tips

## Starting and stopping



Never use the trimmer without its safety guard. Always wear goggles when working with the trimmer.

Before each use, check the trimmer for any damage and that it functions correctly. Check that the mains voltage is the same as indicated on the rating plate.

- Form a loop in the end of the power cable (2), feed it through the opening in the main handle and hang it onto the power cable strain relief (3) (Fig. 5).
- Connect the trimmer to the mains socket.
- Ensure a safe stance and hold the trimmer firmly with both hands. Do not rest the cutting head on the ground.
- To switch on, press the on/off switch (1) (Fig. 5).
- To switch off, release the on/off switch (1) (Fig. 5).



After the trimmer has been switched off, the cutting head will continue to rotate for a few seconds.

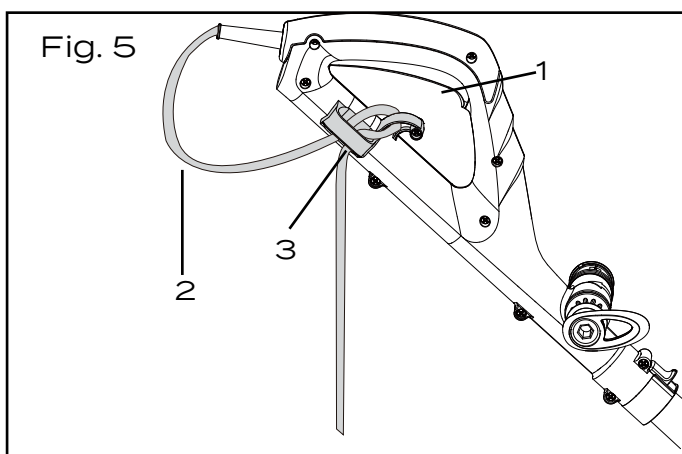


Keep hands and feet well away.



The on/off switch must not be locked in place. The trimmer must not be used if the on/off switch is damaged. There is the immediate danger of injury if the motor does not switch off after the on/off switch has been released.

**CAUTION:** Always remove grass residue from the line cutter so that the cutting effect is not impaired.

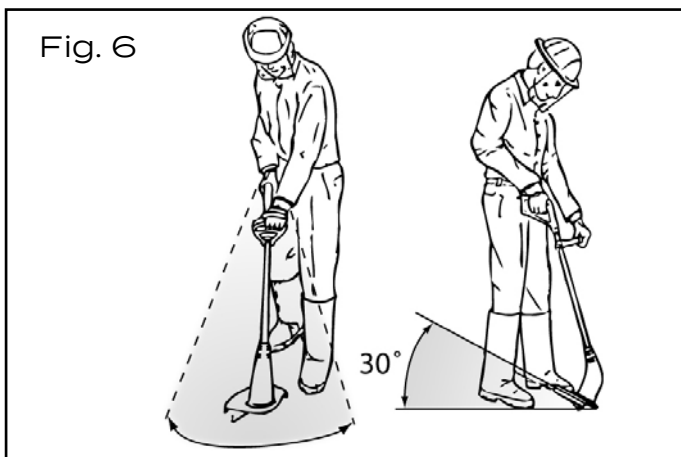




## Cutting

**⚠ WARNING:** Danger of injury! Before starting the trimmer, check that the cutting head will not come into contact with stones, rubble or other foreign bodies.

- Switch on the trimmer before you approach the grass that is to be cut.
- Do not cut damp or wet grass.
- Do not overload the trimmer during operation.
- Avoid contacting solid obstacles (stones, walls, fences, etc.) as this wears the line out quickly. Use the flower guard to keep the trimmer away from such obstacles.
- Always trail the power cable behind you. Do not pass a running trimmer over the power cable as it could be damaged.
- Cut the grass by swaying the trimmer sideways to the right and left. Cut slowly, tipping the appliance forwards by about  $30^\circ$  (Fig. 6).
- Long grass should be cut in layers from top to bottom. Use the flower guard to maintain the necessary distance whenever required.



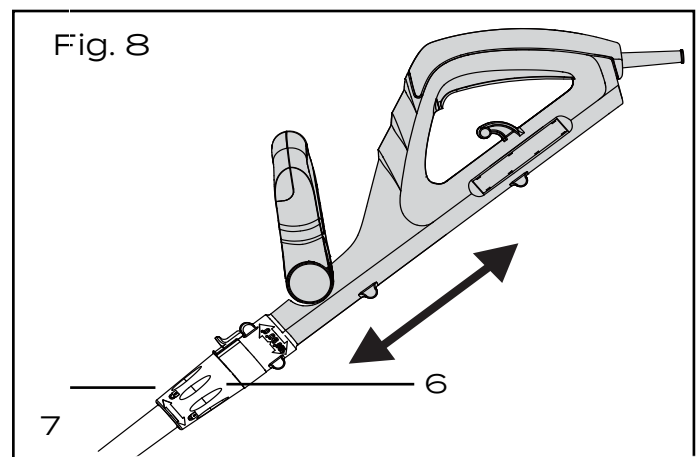
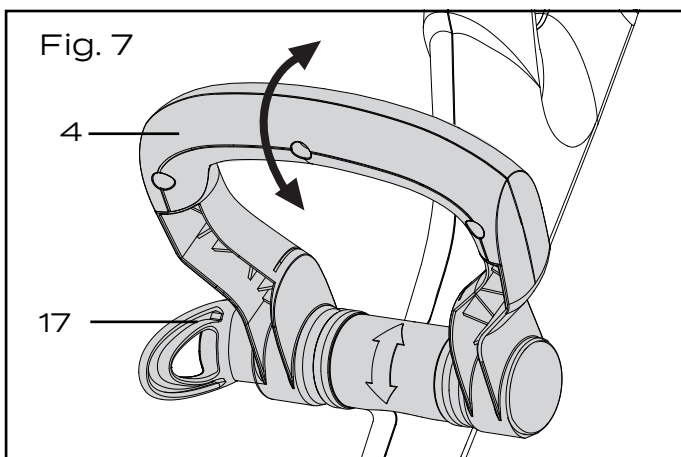
### Adjusting the auxiliary handle

- The auxiliary handle (4) can be set in different positions.
- Set the handle in such a manner that the cutting head is slightly tilting forwards when in the working position.
- Release the winged nut (17) and adjust the auxiliary handle in the required position. Retighten the winged nut (Fig. 7).

### Adjusting the height of the telescopic tube

The telescopic tube enables you to adjust the trimmer to your height.

- Release the screw sleeve for tube length adjustment (6). Adjust the telescopic tube (7) to the required length and retighten the screw sleeve (Fig. 8).



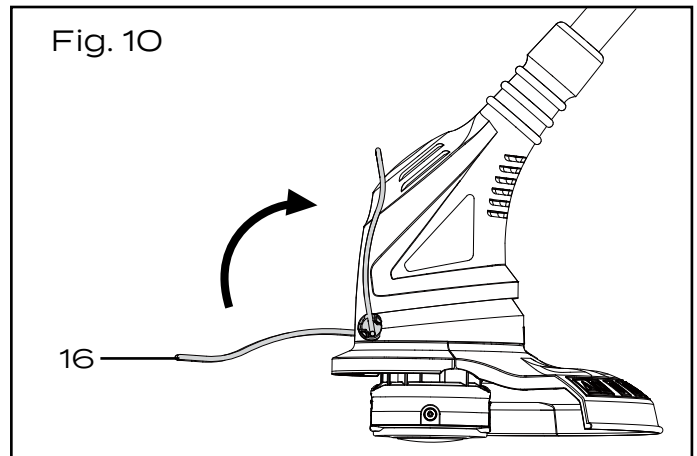
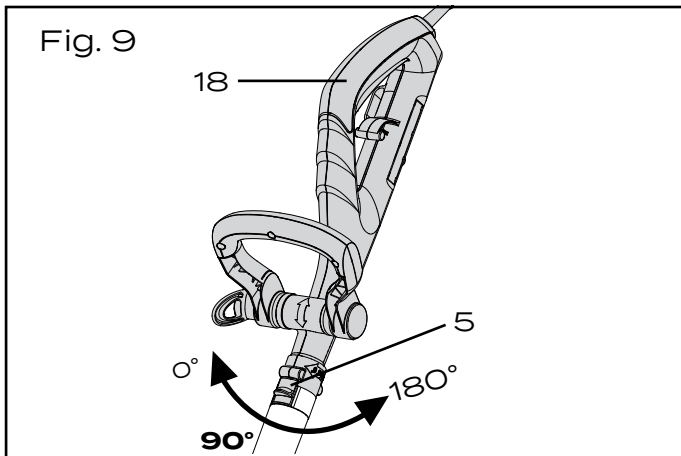
### Adjusting the main handle

- The handle assembly turns by 90° and 180° for vertical edging (Fig. 9).
- Pull down the lever for tube and cutting head angle adjustment (5), and turn the main handle (18) until it snaps into the desired position (Fig. 9).

### Adjusting the flower guard

The flower guard (16) keeps plants and stalks that are not to be cut away from the cutting lines.

- Fold down the flower guard for trimming.
- If the flower guard is no longer required, it can be folded up flush against the motor housing (park position) (Fig. 10).



## Lengthening the cutting lines

A short or worn cutting line will not cut effectively. If you notice reduced cutting performance, you should check if there is still enough line on the spool. Disconnect the power plug first! Spool replacement is detailed in section 'Replacing the Trimming Assembly'.

## Fully automatic dual line system:

The trimmer features a fully automatic dual line system. The lines will automatically elongate every time you start the trimmer. To support proper line elongation, ensure that the head has stopped moving completely before starting the trimmer again.

If the lines should be longer than defined by the cutting circle then they will be automatically cut to the correct length by the line cutter.

Regularly check the nylon lines for damage and whether the lines still have the correct length defined by the line cutter.

## When no line ends are visible:




Renew the line spool (see 'Maintenance').

## Adjusting the line length manually:

First, disconnect the plug from the mains socket! Press the line-release button, pull the ends of the cutting line out and let go of the line-release button. Avoid releasing very long lengths of the cutting line.

# Maintenance


## Cleaning

-  Before undertaking any work on the trimmer, always disconnect the plug from the mains socket.
-  Any work that is not described in these Instructions must be carried out by a qualified technician. Only use original parts and be very careful with the line cutter during installation work. Danger of injury!
-  Do not spray water onto the trimmer and do not clean it under a flowing tap. This would result in the danger of an electric shock and the trimmer could be damaged.

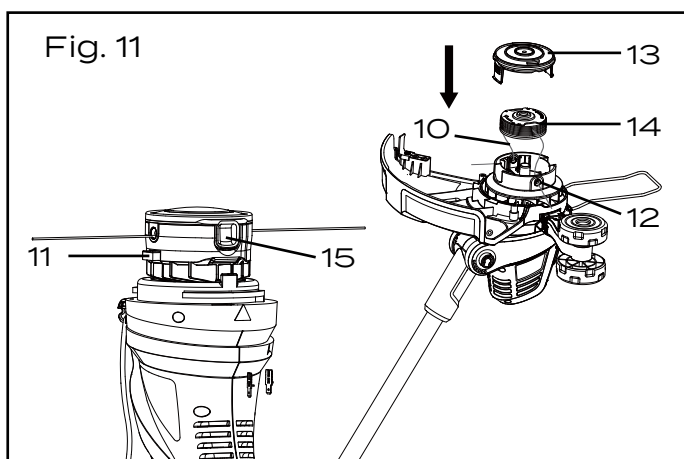
Always keep the trimmer clean. Do not use cleaning agents and solvents.

- After the work has been completed, remove all grass and soil from the cutting device and the protective cover.
- Ensure that the ventilation slots are always clean and free of grass.
- Clean the trimmer with a soft brush or a cloth.

## Replacing the trimming assembly

-  Never manipulate the cutting device by inserting worn out original or non-approved parts. Only use original spare parts. Never use metal lines. The use of non-approved parts can result in serious personal injury and cause irreparable damage to the trimmer, and the warranty will become void.

- Disconnect the plug from the mains socket.
- Turn over the trimmer so that the cutting head (15) is facing upwards.



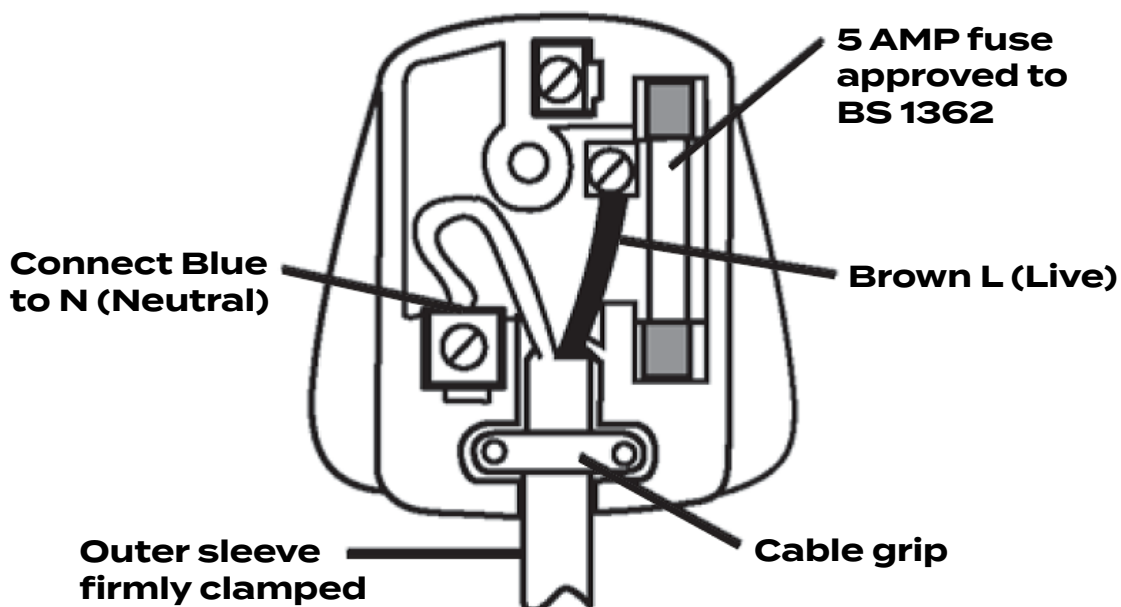
- Simultaneously press the two retaining tabs on the side of the cutting head and remove the spool cap (13) (Fig. 11).
- Remove the line spool (14) from the cutting head (Fig. 11).
- Insert the new spool with the smooth side facing upwards in the cutting head and thread the two cutting lines (10) through the line eyelets (12). Ensure that the line ends do not slip out of the spool slots.
- Replace the spool cap. Ensure that the retaining tabs of the spool cap are accurately inserted in the corresponding recesses of the cutting head.
- Press the line-release button (11); release it again after pulling the ends of the line out a little. Repeat this process until the ends of the line project a little beyond the line cutter.

Alternatively, obtain a 1.4mm nylon string from a specialist dealer and wind it onto the spool yourself. If you do, take care to use no more than 2 x 5 metres of line and wind it strictly parallel along the two line channels and against the direction of motor rotation. NOTE: The arrow on the protective cover indicates the direction of motor rotation.




Check the line cutter. Do not use the trimmer without a line or with a defective line.

## Plug replacement



If you need to replace the fitted plug, then follow the instructions below.

 **IMPORTANT!** The wires in the mains lead are coloured in accordance with the following code:


Blue – Neutral

Brown – Live

As the colours of the wire in the mains lead of this apparatus may not correspond with the coloured marking identifying the terminals in your plug, proceed as follows.

The blue wire must be connected to the terminal marked 'N' or coloured black.

The brown wire must be connected to the terminal marked 'L' or coloured red.

 **WARNING!** Never connect live or neutral wires to the earth terminal of the plug.

Only fit an approved BS 1363 or BS 1363/A plug and correctly rated BS 1362 5 Amp fuse. If in doubt, consult a qualified electrician.

**NOTE:** If a moulded plug is fitted and has to be removed, take great care in disposing of the plug and severed cable; it must be destroyed to prevent it being accidentally plugged into a power socket.

## Storage

- Carefully clean the trimmer and its accessories after each use (see 'Maintenance'), thereby avoiding mould formation.
- Store the trimmer in a dry place well out of the reach of children.
- Do not expose the trimmer to direct sunlight for extended periods.
- Do not wrap plastic sacks around the trimmer, as this could result in the formation of moisture and mould.
- Do not stand the trimmer on its protective cover. Suspend it by its main handle in such a manner that the protective cover does not come into contact with other objects. This is because the protective cover could become deformed, thereby changing its dimensions and its safety properties.


# Troubleshooting

## General troubleshooting

Problem	Possible Cause	Solution
Excessive vibration and/or poor cutting performance	Line spool is dirty	Clean line spool (see 'Maintenance')
	Line spool is defective	Exchange line spool (see 'Maintenance')
Trimmer will not start	No mains power	Check cable, line, plug; repair by qualified electrician
	On/Off switch is defective	Contact telephone helpline
	Worn carbon brushes	
	Motor is defective	
Line fails to advance	Line spool does not have sufficient line	Lengthen cutting line (see 'Operating Instructions & Tips') or exchange spool (see 'Maintenance')
	Line spool has been fitted incorrectly	Check line spool is properly fitted and ensure sufficient line is correctly threaded through the line eyelets

# Technical Data

## Technical data table

Specification	Value
Model	GT3010
Rated input voltage	230V~, 50Hz
Power input	450W
Idling speed	10000min <sup>-1</sup>
Cutting circle dual line	300mm
Dual line	2 X 5m, fully automatic
Line thickness dual line	1.4mm
Protection class	 / II
Protection category	IP20
Guaranteed sound power level (L <sub>WA</sub> )	96dB(A)
Measured sound pressure level (L <sub>pA</sub> )	74.2dB(A), K=3dB
Measured sound power level (L <sub>WA</sub> )	94.2dB(A), K=1.94dB
Vibration (a <sub>n</sub> ) at the main handle	3.5m/s <sup>2</sup> K <sub>n</sub> =1.5m/s <sup>2</sup>
Vibration (a <sub>n</sub> ) at the auxiliary handle	1.5m/s <sup>2</sup> K <sub>n</sub> =1.5m/s <sup>2</sup>

Noise and vibration values have been determined according to the standards and regulations mentioned in the declaration of conformity. The vibration and noise measuring processes in accordance with EN 786, appendices D and E, were completed successfully.

Technical and design changes may be undertaken in the course of further development without notice. All dimensions, references and information in this instruction manual are therefore not guaranteed. Legal claims made on the basis of the instruction manual can therefore not be considered as valid.

The stated vibration emission value was measured in accordance with a standard testing procedure and may be used to compare one power tool to another. The stated vibration emission value may also be used for a preliminary exposure assessment.





**WARNING!** The vibration emission value may differ during actual use of the power tool from the stated value depending on the manner in which the power tool is used. Safety precautions aimed at protecting the user should be based on estimated exposure under actual usage conditions (all parts of the operating cycle are to be considered, including, for example, times during which the power tool is turned off and times when the tool is turned on but is running idle).

**WARNING!** This equipment may cause Hand-Arm Vibration Syndrome (HAVS) if its use is not adequately monitored and managed.

Preventative measures include, among others, regular maintenance and care of the product and cutting attachments, keeping hands warm and periodical breaks, as well as proper planning of work processes.

## Disposal

### Disposal and recycling



Recycle unwanted materials instead of disposing of them as household waste. All tools, hoses and packaging should be sorted, taken to the local recycling centre and disposed of in an environmentally safe way.

## Getting Help

If you need help or have damaged or missing parts, call the Customer Helpline on **0343 515 1905**.

# Warranty

This product is covered by a 3 year warranty.

The warranty covers any manufacturing defect in materials, workmanship and finish.

Any claim under this warranty must be made by going to your nearest Homebase store, taking your proof of purchase with you, and claims must be made within 3 years of the date of purchase.

We will offer you a free repair of the item where this is possible, or a replacement or a refund. Your statutory rights remain unaffected, in particular any rights you may have under the Consumer Rights Act 2015.

This warranty is given by HHGL Limited, MK9 1BA; HHGL (ROI) Limited, DO2 X576.

Please note: This warranty does not apply to products misused or neglected and only covers domestic use. It does not apply to commercial use of the product.