

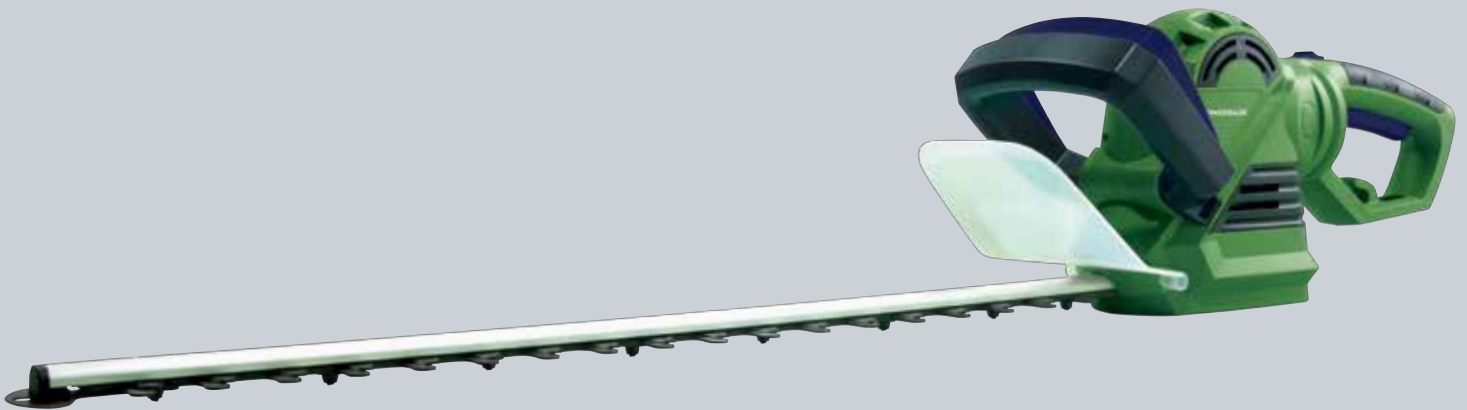
# POWERBASE

66cm 710W Electric  
Hedge Trimmer 577143

## Instruction Manual

### IMPORTANT!

Please read these  
instructions fully before  
starting assembly.




These instructions contain important information that will help you get the best from your product, ensuring it is assembled correctly and safely. If you need help or have damaged or missing parts, call the Customer Helpline on 0343 515 1905.

# Contents

General Safety Warnings	3
In the Box	13
Assembly	14
Operation	14
Maintenance	18
Troubleshooting	21
Technical Data	22
Disposal	23
Getting Help	23
Warranty	24

# General Safety Warnings

 Important - Please read these instructions fully before starting assembly.

## Warning symbols

Certain symbols below may be present on the tool. The aim of the safety symbols is to draw attention to possible dangers. The safety symbols and the information which accompanies them must be well understood and adhered to. The warnings themselves do not constitute any protection against danger. The instructions or warnings that they contain cannot, in any case, replace the appropriate measures for preventing accidents. A correct interpretation of these symbols will allow the tool to be used more efficiently and to reduce risks.



Caution.



Read the instruction manual.



Wear ear and eye protection (PPE), wear adequate protective clothing.



Always use thick protective gloves.



Always use solid protective shoes with non-slip soles.



Do not expose to rain.



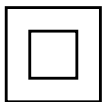
Disconnect the mains plug if the cord is damaged or entangled.



Disconnect the plug before any maintenance.



Conforms to the directive 2000-14/EC. Guaranteed sound power level for hedge trimmers.



Class II equipment.



Waste electrical products should not be disposed of with household waste. Please recycle where facilities exist. Check with your local authority or store for recycling advice.



The product complies with the applicable European directives and an evaluation method of conformity for these directives was done.



The product complies with the applicable UK directives and an evaluation method of conformity for these directives was followed.



Blade length. Total blade length of hedge trimmer.



DANGER - Keep hands away from blade.



**WARNING!** This hedge trimmer can cause serious injuries!

Never try to use this electric hedge trimmer before reading and fully understanding all the instructions, safety rules, control elements, etc., contained in this manual. Not respecting this information and the safety instructions can lead to an accident, such as a fire or an electric shock, resulting in serious injuries. Keep this manual and refer to it frequently, in order to ensure that safety is maintained and to be able to instruct other possible users.

### **Area of use**

The power tool is meant for cutting hedges. Any other use risks damaging the power tool and constitutes an imminent risk for the user and others. The manufacturer declines all responsibility in case of damage which arises from improper use or inappropriate handling of the power tool.



**WARNING! Read all safety warnings, instructions, illustrations and specifications provided with this power tool.** Failure to follow the warnings and instructions may result in electric shock, fire and/or serious injury. **Save all warnings and instructions for future reference.**

The term 'power tool' in the warnings refers to your mains-operated (corded) power tool or battery-operated (cordless) power tool.

## **Work area safety**

- **Keep the work area clean and well lit.**

Cluttered or dark areas invite accidents.

- **Do not operate power tools in explosive atmospheres, such as in the presence of flammable liquids, gases or dust.**

Power tools create sparks which may ignite the dust or fumes.

- **Keep children and bystanders away while operating a power tool.**

Distractions can cause you to lose control.

## **Electrical safety**

- **Power tool plugs must match the outlet. Never modify the plug in any way. Do not use any adaptor plugs with earthed (grounded) power tools.**

Unmodified plugs and matching outlets will reduce the risk of electric shock.

- **Avoid body contact with earthed or grounded surfaces, such as pipes, radiators, ranges and refrigerators.**

There is an increased risk of electric shock if your body is earthed or grounded.

- **Do not expose power tools to rain or wet**

**conditions.** Water entering a power tool will increase the risk of electric shock.

- **Do not abuse the cable. Never use the cable for carrying, pulling or unplugging the power tool. Keep the cable away from heat, oil, sharp edges or moving parts.** Damaged or entangled cables increase the risk of electric shock.
- **When operating a power tool outdoors, use an extension cable suitable for outdoor use.** Use of an extension cable suitable for outdoor use reduces the risk of electric shock.
- **If operating a power tool in a damp location is unavoidable, use a residual current device (RCD) protected supply.** Use of an RCD reduces the risk of electric shock.

## **Personal safety**

- **Stay alert, watch what you are doing and use common sense when operating a power tool. Do not use a power tool while you are tired or under the influence of drugs, alcohol or medication.**

A moment of inattention while operating power tools may result in serious personal injury.

- **Use personal protective equipment. Always wear eye protection (PPE).**

Protective equipment, such as a dust mask, non-skid safety shoes, hard hat, or hearing protection used for appropriate conditions, will reduce personal injuries.

- **Prevent unintentional starting. Ensure the switch is in the off-position before connecting to a power source and/or battery pack, and before picking up or carrying the tool.** Carrying power tools with your finger on the switch or energising power tools that have the switch on invites accidents.
- **Remove any adjusting key or wrench before turning the power tool on.** A wrench or a key left attached to a rotating part of the power tool may result in personal injury.
- **Do not overreach. Keep proper footing and balance at all times.** This enables better control of the power tool in unexpected situations.
- **Dress properly. Do not wear loose clothing or jewellery. Keep your hair, clothing and gloves away from moving parts.** Loose clothes, jewellery or long hair can be caught in moving parts.
- **If devices are provided for dust extraction and collection facilities, ensure these are connected and properly used.** Use of dust collection apparatus can reduce dust-related hazards.



- **Do not let familiarity gained from frequent use of tools allow you to become complacent and ignore tool safety principles.** A careless action can cause severe injury within a fraction of a second.

## **Power tool use and care**

- **Do not force the power tool. Use the correct power tool for your application.** The correct power tool will do the job better and safer at the rate for which it was designed.
- **Do not use the power tool if the switch does not turn it on and off.** Any power tool that cannot be controlled with the switch is dangerous and must be repaired.
- **Disconnect the plug from the power source and/or the battery pack from the power tool before making any adjustments, changing accessories, or storing power tools.** Such preventive safety measures reduce the risk of starting the power tool accidentally.
- **Store idle power tools out of the reach of children, and do not allow persons unfamiliar with the power tool, or these instructions, to operate the power tool.** Power tools are dangerous in the hands of untrained users.

- **Maintain power tools. Check for misalignment or binding of moving parts, breakage of parts and any other condition that may affect the power tools operation. If damaged, have the power tool repaired before use.** Many accidents are caused by poorly maintained power tools.
- **Keep cutting tools sharp and clean.** Properly maintained cutting tools with sharp cutting edges are less likely to bind and are easier to control.
- **Use the power tool, accessories and tool bits, etc., in accordance with these instructions, taking into account the working conditions and the work to be performed.** Use of the power tool for operations different from those intended could result in a hazardous situation.
- **Keep handles and gripping surfaces dry, clean and free from oil and grease.** Slippery handles and gripping surfaces do not allow for safe handling and control of the tool in unexpected situations.

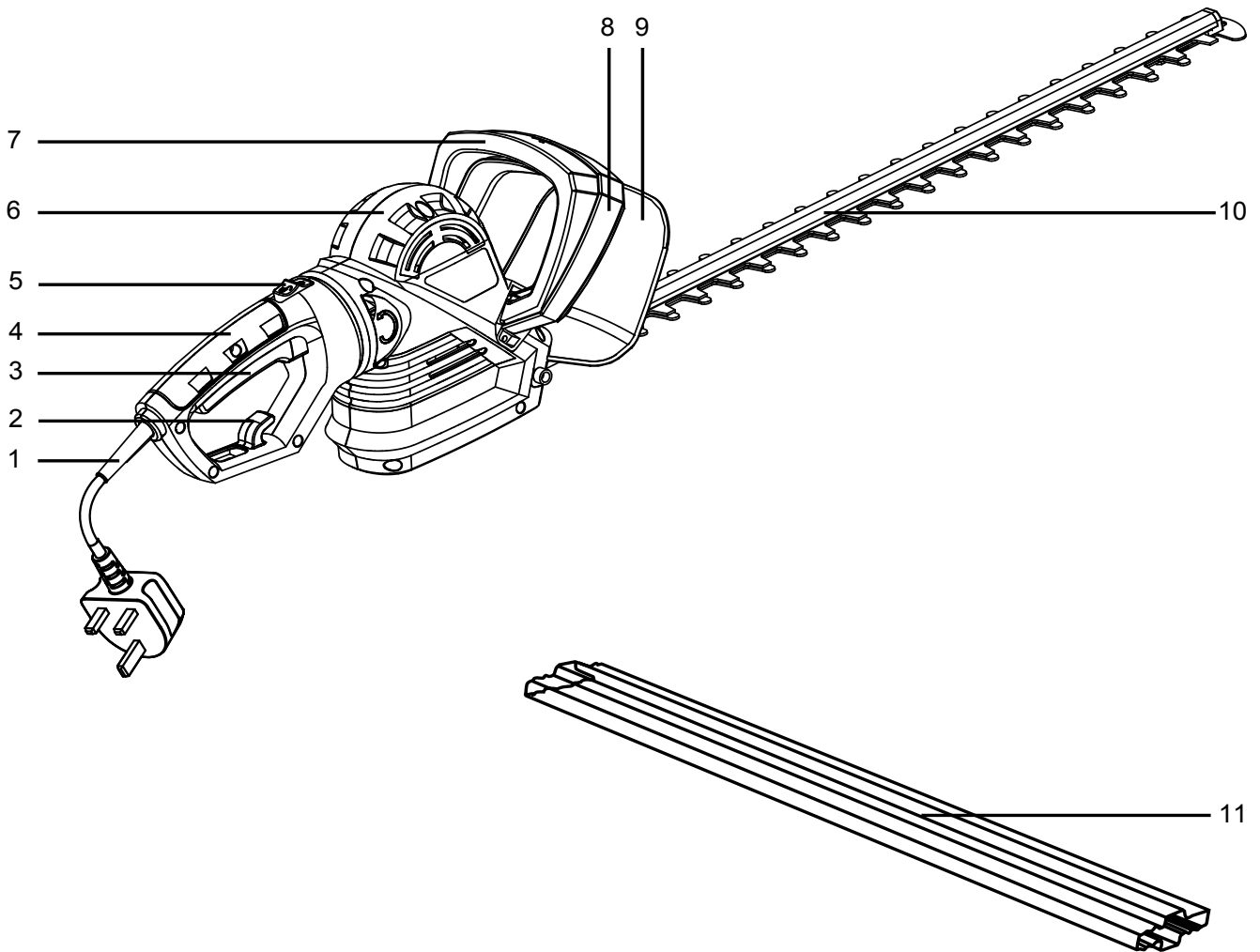
## **Service**

- **Have your power tool serviced by a qualified repair person using only identical replacement parts.** This will ensure that the safety of the power tool is maintained.

- **Keep all parts of the body away from the cutter blade. Do not remove cut material or hold material to be cut when blades are moving.** Blades continue to move after the switch is turned off. A moment of inattention while operating the hedge trimmer may result in serious personal injury.
- **Carry the hedge trimmer by the handle with the cutter blade stopped, taking care not to operate any power switch.** Carrying the hedge trimmer properly will decrease the risk of inadvertent starting and possible injury.
- **When transporting or storing the hedge trimmer, always fit the blade cover.** Proper handling of the hedge trimmer will decrease the risk of personal injury from the blades.
- **When clearing jammed material or servicing the unit, make sure all power switches are off and the power cable is disconnected.** Unexpected actuation of the hedge trimmer while clearing jammed material, or servicing, may result in serious personal injury.

- **Hold the hedge trimmer by insulated gripping surfaces only, because the cutter blade may contact hidden wiring or its own cord.** Cutter blades contacting a 'live' wire may make exposed metal parts of the hedge trimmer 'live' and could give the operator an electric shock.
- **Keep all power cords and cables away from the cutting area.** Power cords or cables may be hidden in hedges or bushes and can be accidentally cut by the blade.
- **Do not use the hedge trimmer in bad weather conditions, especially when there is a risk of lightning.** This decreases the risk of being struck by lightning.

# In the Box



## Parts

1	Power cable with plug	7	Safety switch
2	Power cable strain relief	8	Front handle
3	On/Off switch	9	Front guard
4	Rear handle	10	Cutting blade
5	Handle adjustment switch	11	Blade cover
6	Top cover		

# Assembly

## Blade cover



Check the hedge trimmer for any missing parts.

If any parts are damaged or missing, do not operate this product until the parts are replaced. Use of this product with damaged or missing parts could result in serious personal injury.

Carefully remove the blade cover from the cutting blade before use.

**NOTE:** Always attach the blade cover over the blade when the hedge trimmer is not in use, for storage and transportation.

# Operation

## Use of the hedge trimmer



Verify that the mains voltage coincides well with that indicated on the rating plate on the power tool.

Never block the On/Off switch. Once it is released, it must automatically stop the motor. In case the switch is damaged, the device should not be used by any means.

Verify that the main power supply where the power tool is connected, incorporates a circuit breaker to be quickly tripped at a maximum of 30mA. If not, use a removable circuit breaker available from your local store.

## Handle adjustment

The rear handle can be adjusted according to the type of work to be carried out.

Pull back the handle adjustment switch, turn the handle in the desired direction and release the switch.

The handle can be set to 5 different positions: 0°, 45° and 90° in clockwise direction and 45° and 90° in anti-clockwise direction.

**⚠ WARNING!** This rotation of the handle must be done with the motor turned off and the cable unplugged.

The rotation of the handle cannot be done if the On/Off switch is engaged.

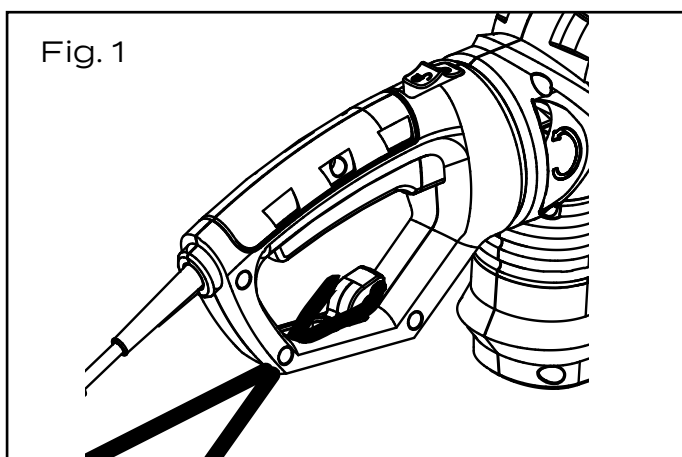
## Connection to the power supply

Secure the power cable by inserting the power cable into the cable strain relief hook on the base of the rear handle. Only use extensions approved for outdoor use.

The cross section of the power cable up to 75m must be at least 1.5mm<sup>2</sup>.

Affix the extension around the cable strain relief on the handle and connect the power tools plug to the extension (See Fig. 1).

Extensions of more than 30m in length reduce the performance of the product.



## Switching on/off

Ensure that all protective elements are firmly in place before using the hedge trimmer.

Make sure to always adopt a very stable working position in order to use this power tool.

This hedge trimmer is equipped with a safety switch, which requires both hands to be applied to the two switches in order to make the power tool work.

- Remove the blade cover from the blade of the trimmer carefully.
- Hold the trimmer with one hand at the rear handle and the other at the front handle.
- Press the On/Off switch and the safety switch at the same time to switch the trimmer on.
- To stop the trimmer, release both switches. The motor will stop as soon as one of the switches is released.

## Trimming (Fig. 2)

 **WARNING!** The hedge trimmer must be completely set up before being turned on.

Use both hands while using the hedge trimmer.

When the switches are engaged, the blades will start moving.

**Keep body parts away from the moving blade.**

**The hedge trimmer can cause serious injuries!**

This hedge trimmer enables the trimming or cutting of hedges and bushes.

**Trimming hedges:**

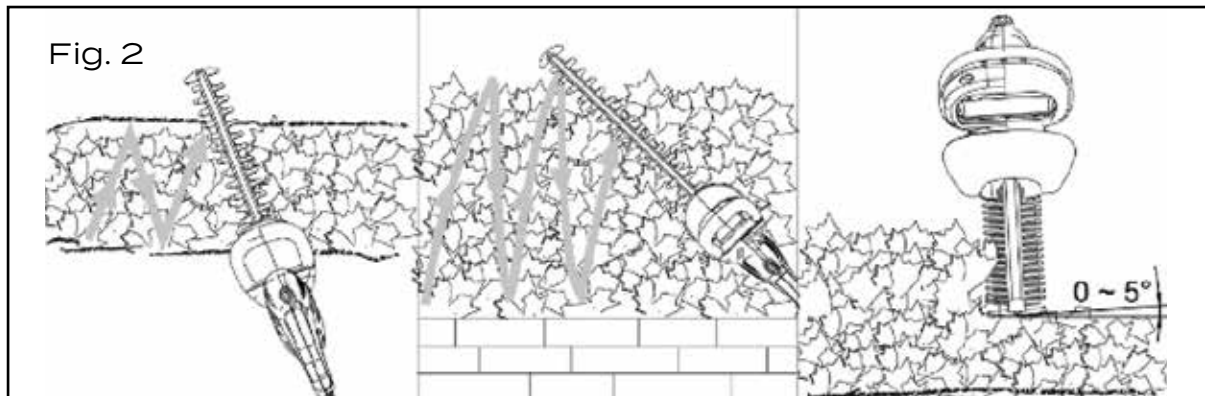
- For young stems, the best result is obtained with a back and forth motion. Hold the blades slightly inclined.



- Older hedges require a side to side movement. Hold the blades slightly inclined.
- The branches which are too thick must be cut with a saw.
- For the perpendicular faces of hedges, employ a cutting motion from bottom to top.

**To obtain a flat finish:**

- Use a guide thread above the part that must be cut.
- If the blade is obstructed by a branch that is too big, immediately stop the motor by letting go of one of the two switches on the handle.
- Check the state of the blade after any such incident. In case of doubt, do not turn back on.
- The tooth space of the 20mm blade guide will be sufficient to cut all the large diameter branches with the help of hand shears or a wood saw.



# Maintenance



Remove the plug from the main power supply before any intervention on the power tool.



Wear gloves for all blade cleaning operations.

Always contact an authorised repairer in case of any doubts.

## Cleaning

Clean and maintain the hedge trimmer regularly. This will keep its excellent cutting performance for many years.

After each cutting task, clean the cutting device and place the blade cover over it while making sure to carefully remove any plant waste.

Verify that the ventilation openings of the motor are clean.

Clean the power tool by using a soft brush or a rag.

The power tool must neither be washed with a water spray nor immersed in water.

Do not use a cleaning product, detergent or solvent. This risks deteriorating the power tool irremediably. Chemical substances run the risk of attacking the plastic parts.

## Maintenance/storage

Remove the plug from the main power supply before performing inspection, maintenance and cleaning work!

Carefully clean the blades as well as the product after each use. Well looked after blades generally don't need to be sharpened.

Store the product in a clean and dry place in order to avoid the risk of mould. Avoid using plastic bags.

Put a few drops of biodegradable oil between the blades and use the blade cover.

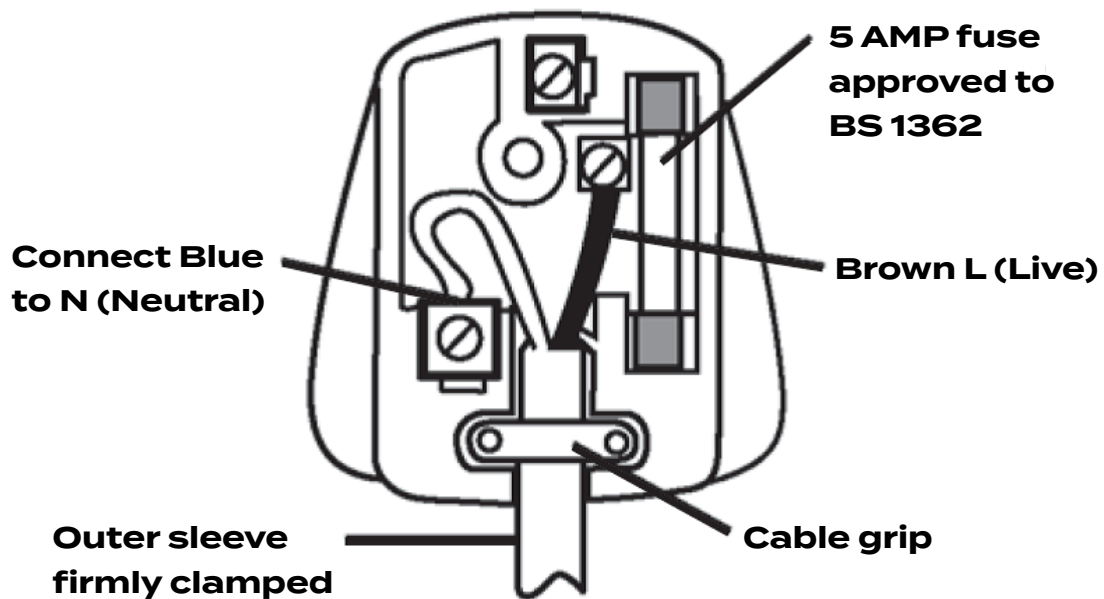
Store the machine out of the reach of children.

Do not store the hedge trimmer for a long period in direct sunlight.



**ATTENTION!** All works except the current maintenance and any intervention on the cutting device, must be carried out imperatively by an After-Sales Service authorised by the manufacturer.

## Plug replacement



If you need to replace the fitted plug, follow the instructions below.

**!** **IMPORTANT!** The wires in the mains lead are coloured in accordance with the following code:

Blue – Neutral

Brown – Live

As the colours of the wire in the mains lead of this machine may not correspond with the coloured marking identifying the terminals in your plug, proceed as follows:

The blue wire must be connected to the terminal marked 'N' or coloured black.

The brown wire must be connected to the terminal marked 'L' or coloured red.

**!** **WARNING!** Never connect live or neutral wires to the earth terminal of the plug.


Only fit an approved BS 1363 or BS 1363/A plug and correctly rated BS 1362 5 Amp fuse. If in doubt, consult a qualified electrician.

**NOTE:** If a moulded plug is fitted and has to be removed, take great care in disposing of the plug and severed cable. It must be destroyed to prevent it being accidentally plugged in to a power socket.

# Troubleshooting

## General troubleshooting

Suspected malfunctions are often due to issues that the user can fix themselves. Therefore, check the product using this section. In most cases, the problem can be solved quickly.

 **WARNING!** Only perform the steps described within these instructions! All further inspection, maintenance and repair work must be performed by an authorised service centre or a similarly qualified specialist, if you cannot solve the problem yourself.


<b>Problem</b>	<b>Possible Cause</b>	<b>Solution</b>
Product does not start	Not connected to power supply	Connect to power supply
	Power connection is loose	Connect to power supply properly
	Other electrical defect to the product	Check with a specialist electrician
Product does not reach full power	Extension cable not suitable	Use a proper extension cable
	Power source (e.g. generator) has too low voltage	Connect to another power source
	Air vents are blocked	Clean the air vents
Product does not cut	Cutting device worn	Have a specialist replace it

# Technical Data

## Technical data table

Specification	Value
Factory model	HTEG37-660
Operating voltage	230-240V~ 50Hz
Power	710W
Movement of the blades	1600min <sup>-1</sup>
Length of the blade	660mm
Length of the cutter	600mm
Distance between the teeth	24mm
Weight	4.1kg
A weighted sound pressure	79dB(A) K=3dB
A weighted sound power	99dB(A) K=3dB
The guaranteed sound power level	102dB(A)
Vibrations on the front handle	4.062m/s <sup>2</sup> K=1.5m/s <sup>2</sup>
Vibrations on the rear handle	4.027m/s <sup>2</sup> K=1.5m/s <sup>2</sup>
Protection class	II / □
Protection index	IP20

The total value of vibrations declared has been measured according to a standardised testing method and can be used to compare one tool with another. The total value of vibrations declared can also be used for a preliminary evaluation of the statement.

 **WARNING!** The emission of vibration during the real use of the power tool may differ from the total declared value, according to the methods of use of the tool.

It is necessary to identify the safety measures which aim to protect the operator, which are based on an estimation of the statement in real conditions of use. This takes into account of all the constituent parts of the functioning cycle, such as the stopping time of the tool and the functioning at rest, as well as the tripping time.



**WARNING!** This equipment may cause Hand-Arm Vibration Syndrome (HAVS) if its use is not adequately monitored and managed.

Preventative measures include, among others, regular maintenance and care of the product and cutting attachments, keeping hands warm and periodical breaks, as well as proper planning of work processes.

## Disposal

### Disposal and recycling



Recycle unwanted materials instead of disposing of them as household waste. All parts and packaging should be sorted, taken to the local recycling centre and disposed of in an environmentally safe way.

## Getting Help

If you need help or have damaged or missing parts, call the Customer Helpline on **0343 515 1905**.

# Warranty

This product is covered by a 3 year warranty.

The warranty covers any manufacturing defect in materials, workmanship and finish.

Any claim under this warranty must be made by going to your nearest Homebase store, taking your proof of purchase with you, and claims must be made within 3 years of the date of purchase.

We will offer you a free repair of the item where this is possible, or a replacement or a refund. Your statutory rights remain unaffected, in particular any rights you may have under the Consumer Rights Act 2015.

This warranty is given by HHGL Limited, MK9 1BA; HHGL (ROI) Limited, DO2 X576.

Please note: This warranty does not apply to products misused or neglected and only covers domestic use. It does not apply to commercial use of the product.