



HOMEBASE

MEDIUM SQUARE WOODEN PLANTER

INSTRUCTION MANUAL

IMPORTANT: Please read these instructions before using the product and retain for future use.

HHGL Limited, MK9 1BA
HHGL (ROI) Limited, D02 X576

ASSEMBLY INSTRUCTIONS

BEFORE YOU BEGIN


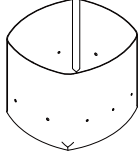
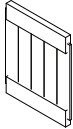

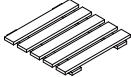
Please check that you have all of the parts before starting assembly.
A full list of the parts and step-by-step instructions are given below.

NOTE:

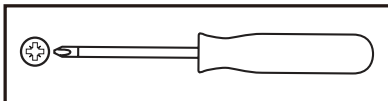
We do not recommend the use of a power drill/driver for inserting screws, as this could damage the product. Only use a hand screwdriver.



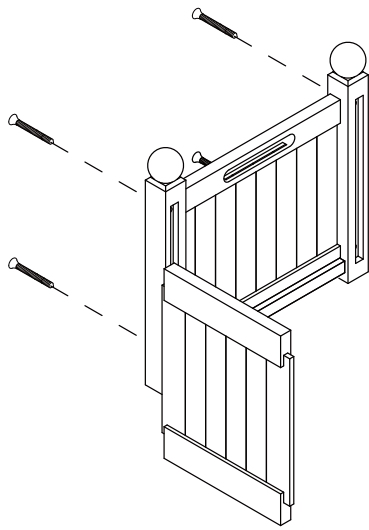
PARTS LIST

PART REF.	DESCRIPTION	DIAGRAM	QTY.	PART REF.	DESCRIPTION	DIAGRAM	QTY.
A	Side panel		x 2	D	Bag		x 1
B	Side panel		x 2	E	Screws (3.5*50)		x 8
C	Bottom panel		x 1				

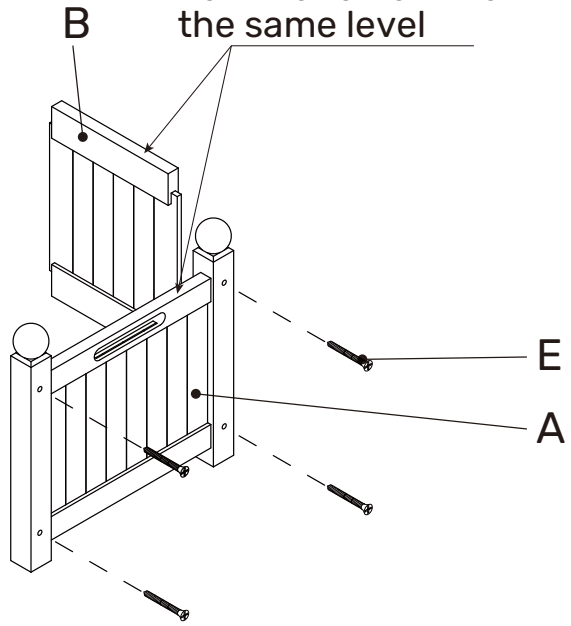
Cross-head screwdriver



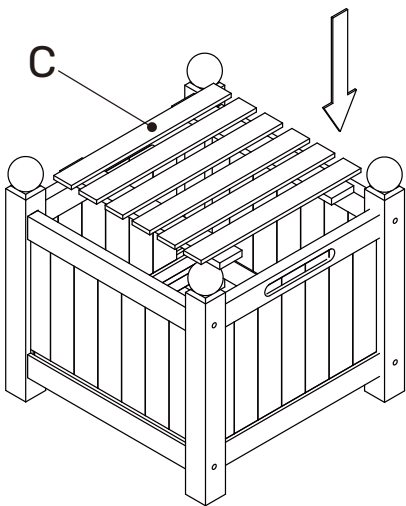
1



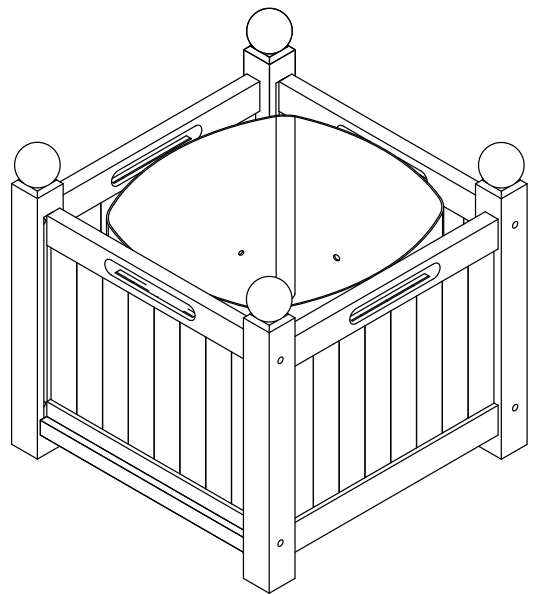
Keep the height of Part A and Part B at the same level



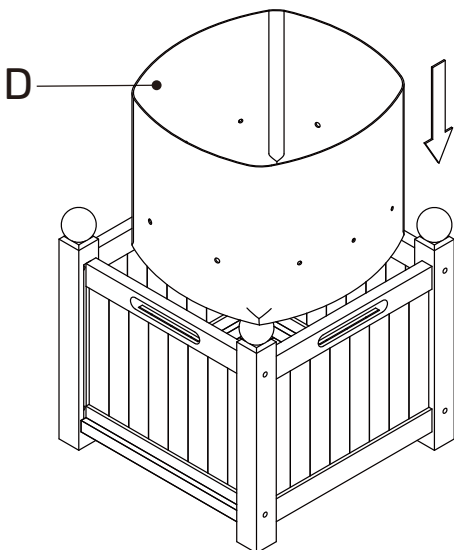
2



4



3



Your planter is now ready for use.