

HOMEBASE

PICNIC BENCH

Powder-coated steel frame

Slat polywood top

Stable and easy to maintain

H71.4 x W157.6 x D132cm



INSTRUCTION MANUAL

IMPORTANT: Please read these instructions before using the product and retain for future use.

HHGL Limited, MK9 1BA; HHGL (ROI) Limited, D02 X576

SAFETY & CARE ADVICE

Please read these instructions fully before starting assembly.

- Do not strike or place heavy weight on the table top.
- Do not place hot items directly onto the table top.
- Check you have all the components and tools listed on page 3.
- Remove all fittings from the blister pack and separate them into their groups.
- Keep children and animals away from the work area; small parts could be a choking hazard.
- Make sure you have enough space to lay out the parts before starting.
- Do not stand or put weight on the component parts and product, as this could cause damage.
- Assemble the item as close to its final position as possible.
- Assemble on a soft, level surface to avoid damaging the unit or your floor.
- Dispose of all packaging carefully and responsibly.
- Only clean using a damp cloth and mild detergent; do not use bleach or abrasive cleaners.
- From time to time, check that there are no loose parts on this unit.
- This product should not be discarded with household waste.
- Take to your local authority waste disposal centre.

IMPORTANT INFORMATION

If parts are missing, broken, damaged, or worn, stop using the product and contact your local store.

Do not use this table unless all bolts and screws are firmly secured.

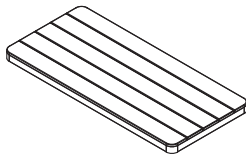
At least every 4 months, check all bolts and screws to ensure they are tight.

Do not sit or stand upon the table top.

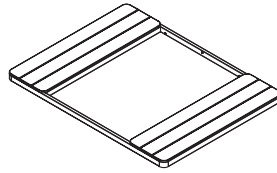
Failure to follow these warnings could result in serious injury.

COMPONENTS – PARTS

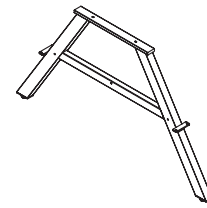
Please check you have all components listed below. If you have any missing or damaged components, please contact your local store.



1. Table top x 1



2. Seat base x 1

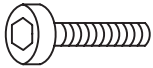


3. Leg frames x 2

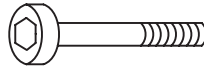
COMPONENTS – FITTINGS

Please check you have all fittings listed below. If you have any missing or damaged fittings, please contact your local store.

Note: The quantities below are the correct amount to complete the assembly. In some cases, more fittings may be supplied than required.



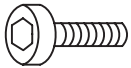
A
Screws M6 x 30mm x 4



D
Screws M6 x 45mm x 4



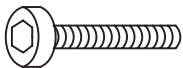
G
Spring washers x 18



B
Screws M6 x 20mm x 8



E
Washers x 18



C
Screws M6 x 35mm x 2



F
Caps x 18

Tools included



Allen key x 1

Keep this page with these instructions for future reference.

RULER - USE THIS RULER TO HELP CORRECTLY IDENTIFY THE SCREWS

0 5 10 15 20 25 30 35 40 45 50 55 60 65 70 75 80 80 90 95 100 105 110 115 120 125 130 135 140 145 150 155 160 165 170

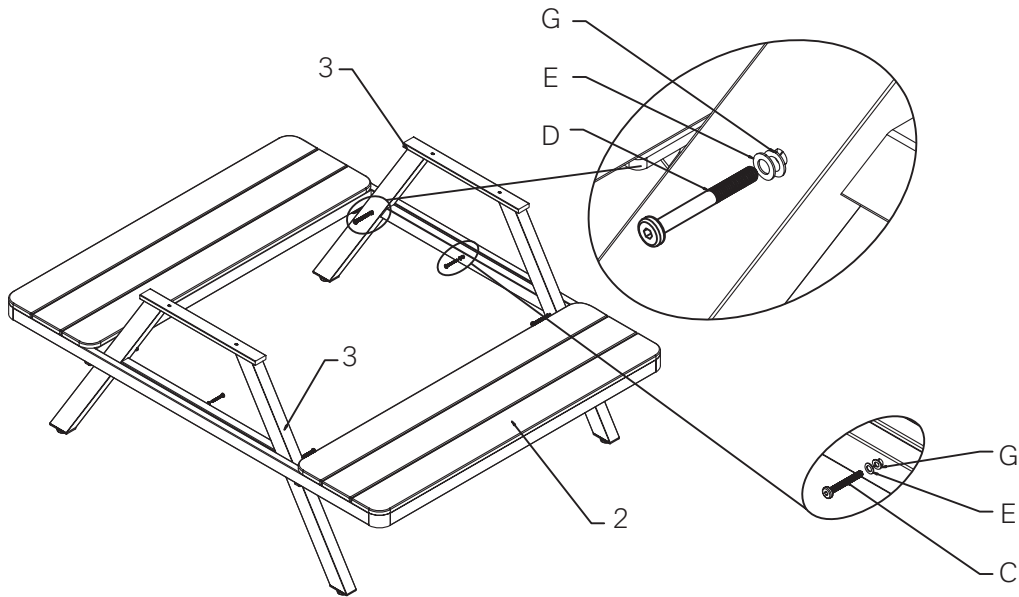
ASSEMBLY INSTRUCTIONS

Step 1

Attach leg frame (3) to the seat base (2), using screw (D), washer (E) and spring washer (G) for the leg part. Use screw (C), washer (E) and spring washer (G) for the middle support slat. Hand tighten the screws.

Repeat this process for the other leg frame (3).

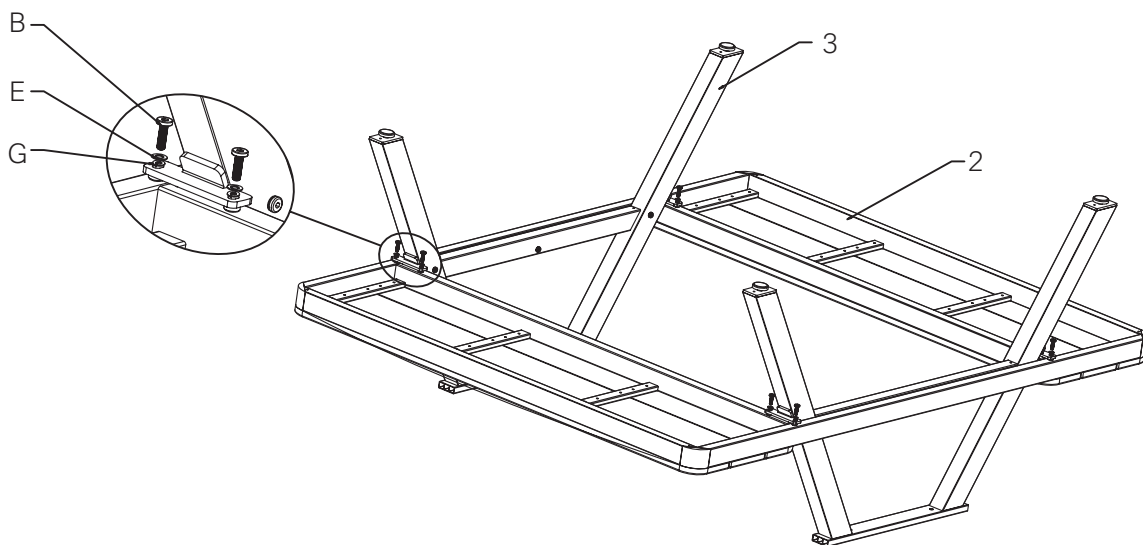
Note: Do not fully tighten all the screws until assembly is complete.



Step 2

Turn the seat frame over, then using screw (B), washer (E) and spring washer (G), fix the frame as indicated on the diagram.

Hand tighten the screws.



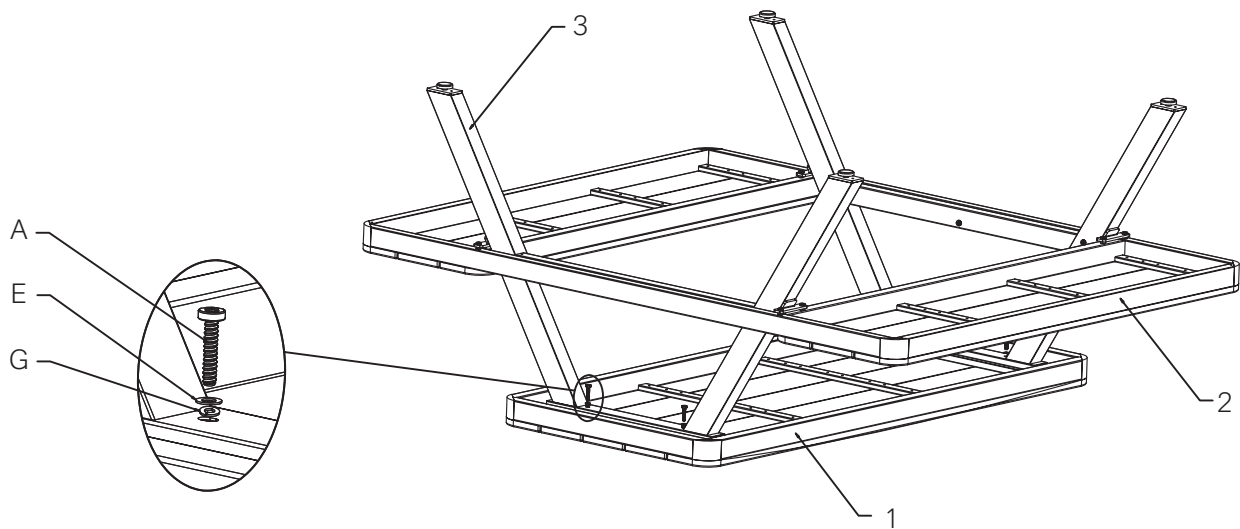
Keep this page with these instructions for future reference.

Step 3

Attach leg frame (3) to the table top (1), using screw (A), washer (E) and spring washer (G).

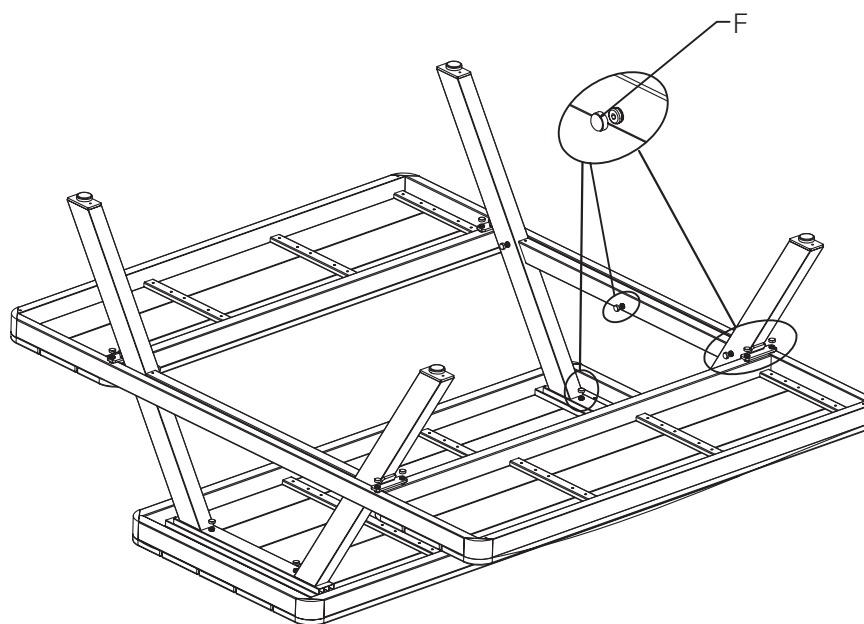
All screws can now be fully tightened

Note: Be careful not to over tighten.



Step 4

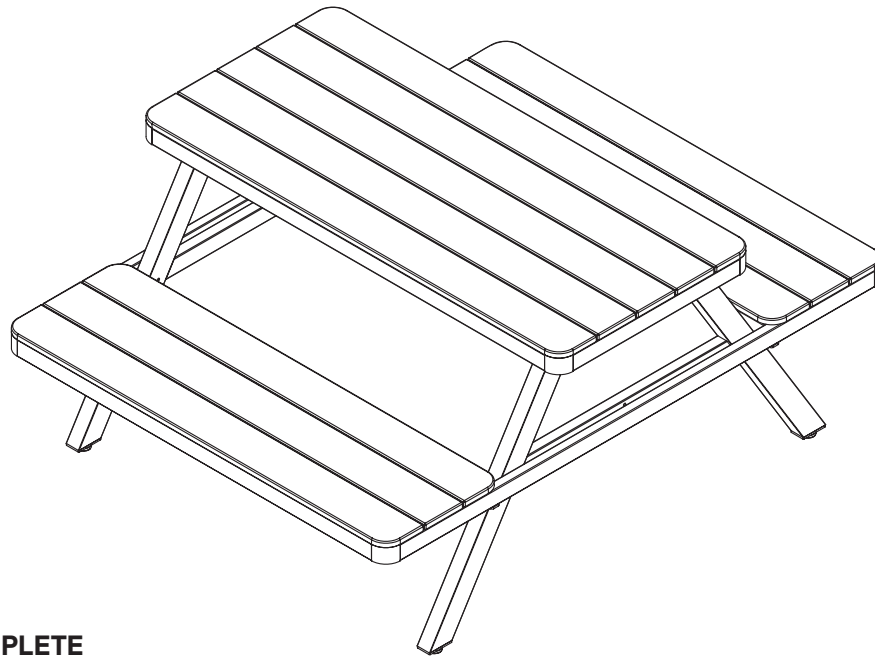
Cover all screw heads with caps (F).



Keep this page with these instructions for future reference.

Step 5

Turn over the picnic bench. Your bench is now ready to use.



ASSEMBLY COMPLETE

Keep this page with these instructions for future reference.