



HOMEBASE

WOODEN LEAN-TO GREENHOUSE

INSTRUCTION MANUAL

IMPORTANT: Please read these instructions before using the product and retain for future use.

HHGL Limited, MK9 1BA
HHGL (ROI) Limited, D02 X576

ASSEMBLY INSTRUCTIONS

BEFORE YOU BEGIN

Please check that you have all of the parts before starting assembly.
A full list of the parts and step-by-step instructions are given below.

NOTE:

We do not recommend the use of a power drill/driver for inserting screws, as this could damage the product. Only use a hand screwdriver.

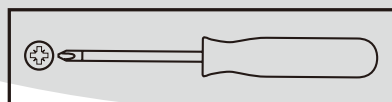


PARTS LIST

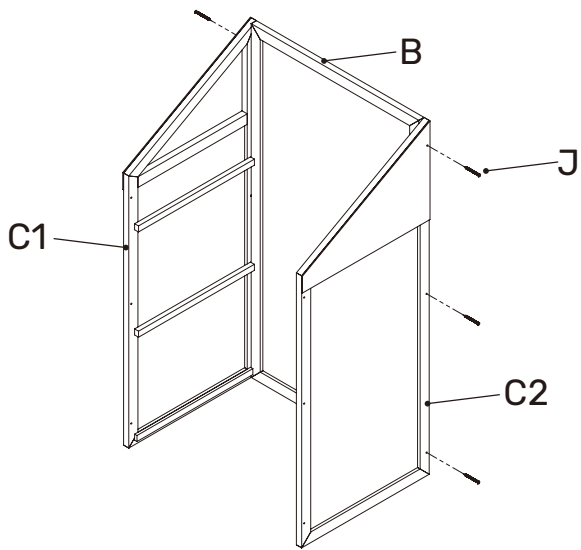
PART REF.	DESCRIPTION	DIAGRAM	QTY.	PART REF.	DESCRIPTION	DIAGRAM	QTY.
A	Lid panel		x 1	F	Lid support arms		x 2
				G	Wing bolts		x 2
B	Back panel		x 1	H	Door knobs		x 3
				I	Screws (M3x16)		x 10
C1	Left side panel		x 1	J	Screws (M3.5x40)		x 12
				K	Bolts (M4x25)		x 3
C2	Right side panel		x 1	L	L shape metal plates		x 2
				M	Flat washers (D6)		x 2
D	Shelves		x 3	N	Bolts (M4x12)		x 2
E	Door panel		x 1	O	Nuts (M4)		x 2

TOOLS REQUIRED

Cross-head screwdriver (not provided)

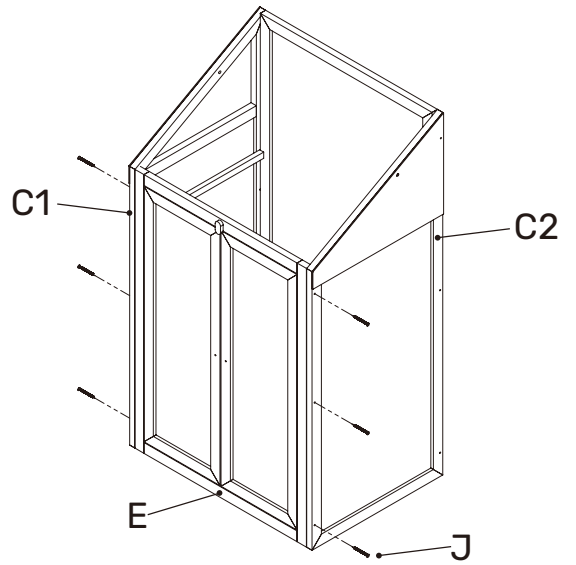


1



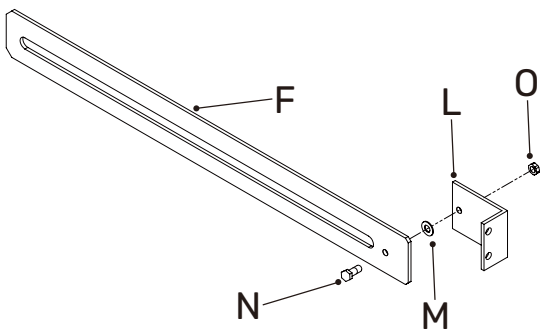
J x 6

2



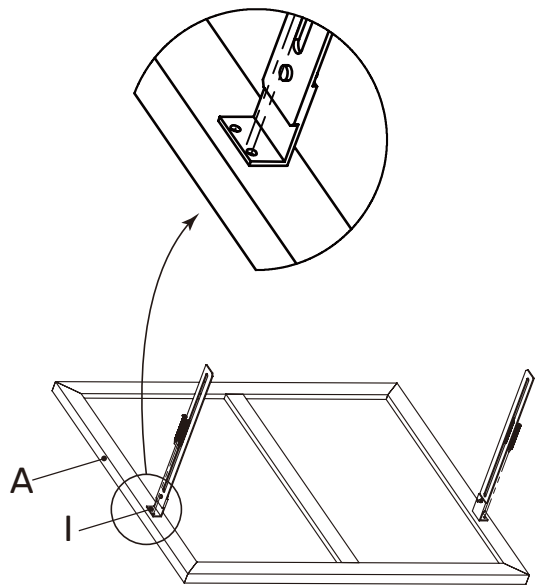
J x 6

3



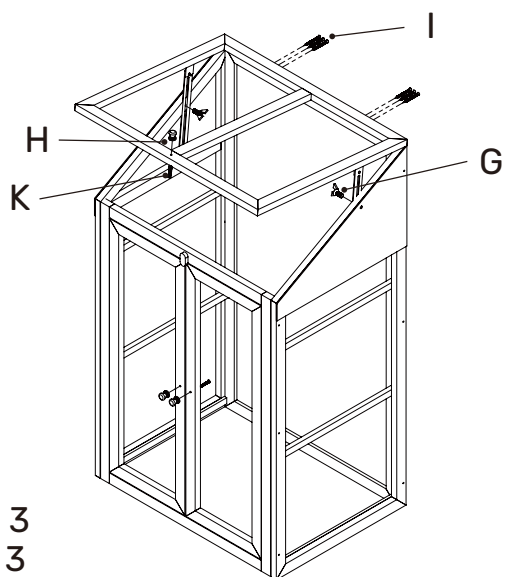
F x 1
 L x 1
 M x 1
 N x 1
 O x 1

4



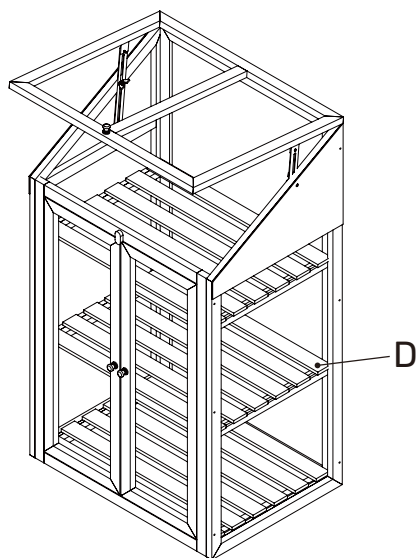
I x 4

5

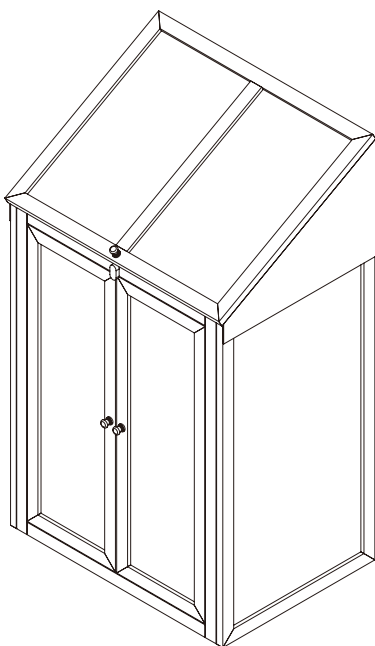


H x 3
K x 3
G x 2
I x 6

6



7



Your greenhouse is now ready for use.