

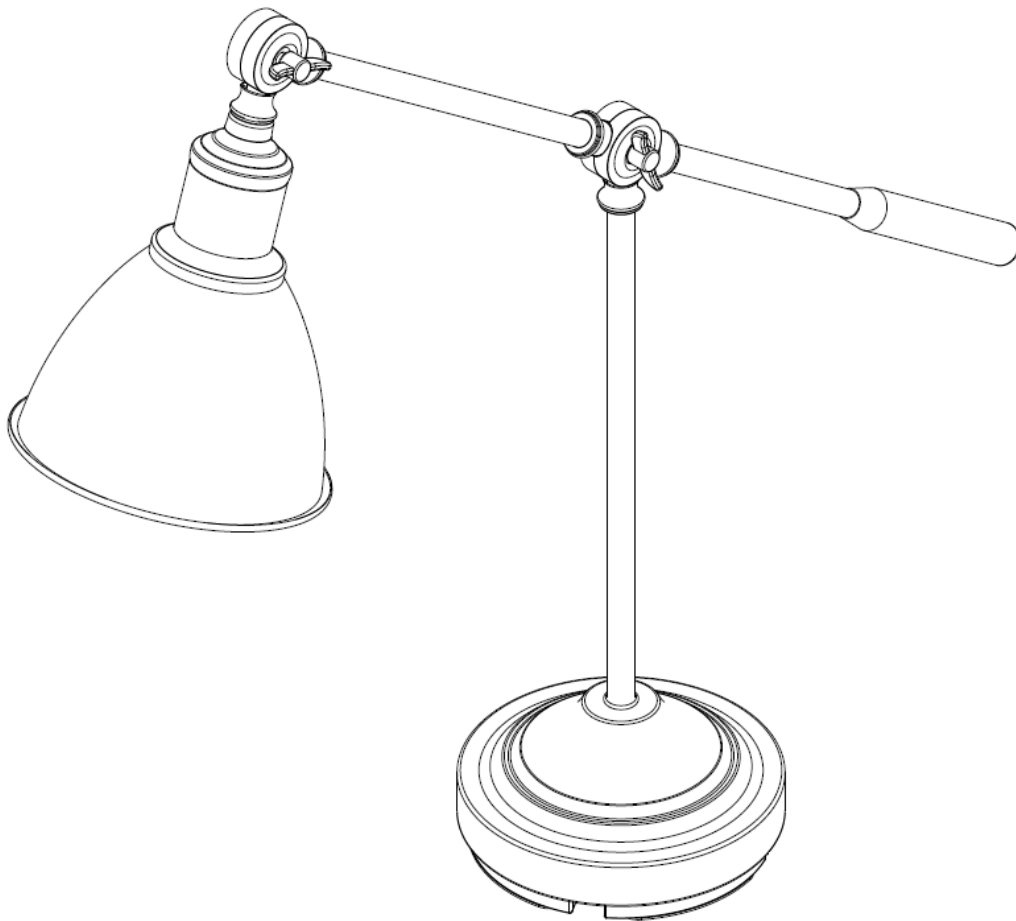


# COUNTRY LIVING

with **HOMEBASE**

**CL Farmhouse 1 Light Table Lamp**

**600887**



## **Instruction Manual**

**IMPORTANT:** Please read these instructions before using the product and retain for future use  
HHGL Limited, MK9 1BA; HHGL (ROI) Limited, D02 X576

## Safety and care advice

- For your safety, this product must be installed in accordance with local building regulations. If in any doubt, or where required by law, consult a competent person who is registered with an electrical self-certification scheme. Further information is available online or from your local authority.
- This product has been designed for non-professional, domestic use only.
- Dispose of all packaging correctly and responsibly and in accordance with all local laws and regulations. Never leave packaging components within reach of children as they can be a source of danger.
- Before inserting or replacing bulb (s) ensure the power is switched off and the bulb (s) have cooled down.
- Do not modify or alter any product before or after installation. This may render the product un-safe.
- This is a Class 2 product and does not require an earth connection.
- Accessible parts become hot during use, young children **must** be kept away.
- If replacing the fuse in the plug do not exceed the maximum rated amps as specified on the plug.

## Warnings

- This product is not intended for use by persons (including children) with reduced physical, sensory and mental capabilities, or lack of experience and knowledge, unless they have been given supervision or instruction concerning use of the product by persons responsible for their safety.
- Children should be supervised to ensure that they do not play with the product.
- **Do not** place this fitting in a damp atmosphere.

## Care and maintenance

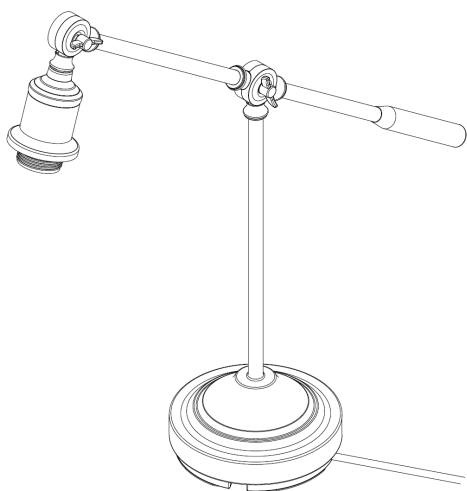
- Always disconnect power supply when servicing or cleaning.
- Use a clean dry soft or slightly damp cloth for cleaning this product.
- Do not use abrasive cloths or polishes as this may cause damage to the product.

## Changing the bulbs

- Ensure that the bulb has cooled down before replacing.
- Ensure that the power supply has been disconnected.

## IMPORTANT!

- If the external flexible cable or cord of this luminaire is damaged it shall be exclusively replaced by the manufacturer or his service agent or similar qualified person.



Pre-wired fitting x 1



Enamel Shade x 1



Shade Ring x 1

# Assembly

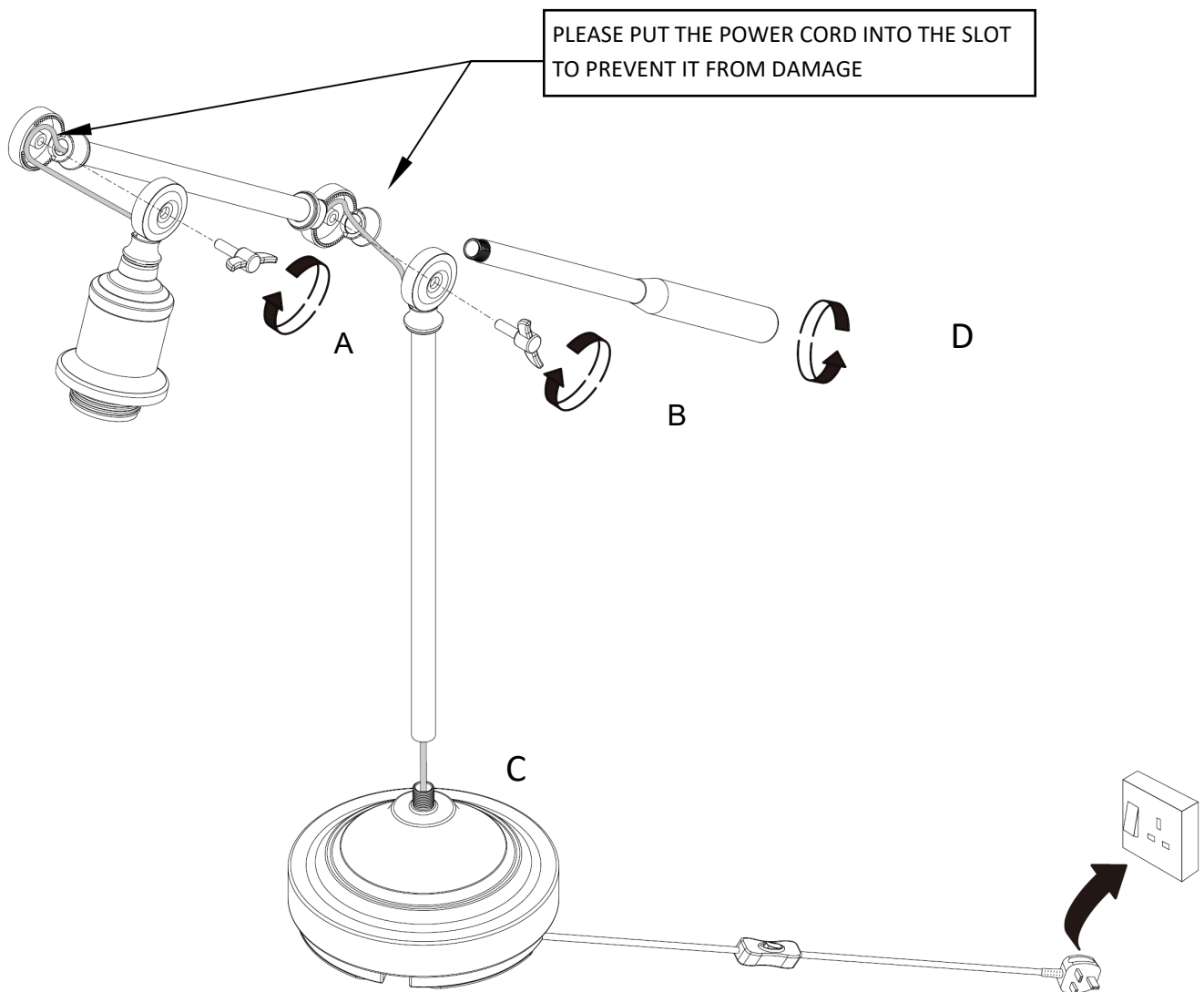
## STEP 1

A. Attach lamp holder section to the top rod as illustrated.

B. Attach top rod to the bottom rod as illustrated.

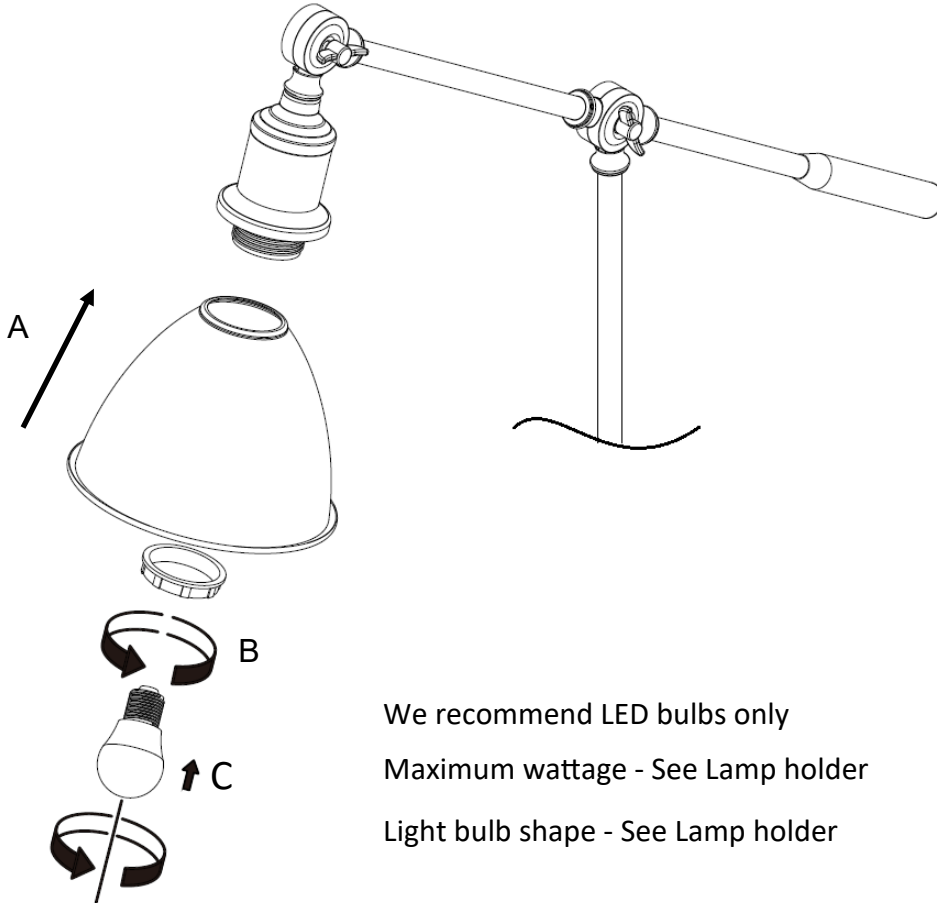
C. Screw assembled rods onto the base

D. Screw the adjustable arm into the top rod as illustrated.



STEP 2

- A. Place the shade over the lamp holder
- B. Screw shade ring onto the lamp holder.
- C. Screw bulb (not supplied ) into the lamp holder



STEP 3

- A. Insert the plug into the house hold socket.
- B. Using the in-line on/off switch turn on and test the fitting.

