

POWERBASE

32cm 1200W Electric
Rotary Lawn Mower 577136

Instruction Manual

IMPORTANT!

Please read these
instructions fully before
starting assembly.



These instructions contain important information that will help you get the best from your product, ensuring it is assembled correctly and safely. If you need help or have damaged or missing parts, call the Customer Helpline on 0343 515 1905.

Contents

General Safety Warnings	3
Intended Use	11
Warning Symbols	12
In the Box	14
Assembly	16
Operation	18
Maintenance And Storage	23
Troubleshooting	26
Technical Data	27
Disposal	28
Getting Help	28
Warranty	28

General Safety Warnings

General safety

Important - Please read these instructions fully before starting assembly.

IMPORTANT!

When using equipment, the following safety precautions must be followed to avoid injuries and damage:

- Read all operating instructions carefully and comply with them. It is important to understand these instructions and to acquaint yourself with the machine, its correct usage and all safety requirements.
- Keep this manual in a safe place so that the information is available to the operator at all times.
- If you give the equipment to any other person, give them these operating instructions as well. We accept no liability for damage or accidents which result from non-compliance with these instructions.

General safety

NOTE: Only supply power to the equipment through a circuit protected by an RCD with a maximum trip current of 30mA.

- Use only plugs or connectors approved for outdoor usage.
- Extension cables must comply to H05VV-F

requirements as described in DIN 57 282/ VDE 0282 and must have a minimum cross-section of 1.5mm². The plug must have an earth and any connection must also be earthed and splashproof. Before use, check the cables for signs of damage and ageing. Never use the mower if the cables are not in perfect condition (this also applies to the supply cable on the mower). If the cable is damaged whilst the mower is working, disconnect the mains plug from the power supply immediately and then check the extent of the damage.

- Never allow children or people unfamiliar with these instructions to use the mower. Local regulations may restrict the age of the operator.
- In areas where the mains supply is weak or bearing a high load, this mower may cause further voltage fluctuations as it starts. In extreme cases, this can cause damage to other equipment working from the same supply. In this case, we recommend to temporarily switch off any unneeded equipment or connect it to a different circuit.
- This appliance is not intended for use by persons (including children) with reduced physical, sensory or mental capabilities, or lack of experience and knowledge, unless they have been given supervision or instruction concerning use of the appliance by a person responsible for their safety.
- Children should be supervised to ensure

- that they do not play with the appliance.
- The appliance is only to be used with the power supply unit provided with the appliance.

Personal safety

- Always check the mower for signs of damage before each usage.
- Always disconnect the mains lead from the electrical supply before carrying out any inspection, servicing or maintenance work.
- Ensure that all the guards are securely fitted and in good working order.
- Check the grass collection box at regular intervals for signs of wear and to ensure that it is always in perfect working order.
- Before each use, inspect the mower to check the cutting blade, fastening bolts and the entire cutting unit for any signs of wear or damage. To prevent imbalance or vibration, worn or damaged cutting blades and fastening bolts must always be replaced in full.
- Damaged parts on the mower must be replaced by qualified personnel. Use only genuine spare parts.
- Repair work on the electrical parts of the lawn mower may only be carried out by a qualified electrician.
- Follow the instructions to fit or remove the blade and wear protective gloves.
- The user remains responsible for any injury to third parties within the working area of

the lawn mower whilst the lawn mower is being used.

- Only work in good daylight or appropriate and adequate artificial light.
- Never use the mower when you are tired.
- Never run the mower in enclosed or poorly-ventilated rooms or if there are flammable or explosive fluids, vapours or gases nearby.
- If the mower has struck a foreign object, switch off the motor and disconnect the mains lead before you inspect it or clear any blockages in the grass ejection area.
- Always use the lawn mower with the grass collection box correctly fitted.
- Check the site on which you intend to use the lawn mower and remove all objects that may be caught or thrown up by the mower. Foreign bodies must be removed before you start mowing. Keep an eye on the power cable and keep it away from the cutting blade at all times.
- Ensure that you do not push the mower over areas that might damage or snare the power cable.
- Never lift the lawn mower when you start the motor.
- Before you lift the lawn mower to transport it, switch off the motor, disconnect the mains lead and wait until the blade has come to a complete standstill.
- When you start the motor, the lawn mower should not be tilted unless the grass is

particularly long. In this case only tilt it up as far as is really necessary and only raise the side that is furthest away from you.

- Never reach towards rotating parts with your hands or feet. Always keep away from the discharge chute.
- Before you attach or empty the grass collection box, switch off the motor and wait until the blade has come to a complete standstill.
- Make sure you keep your feet at a safe distance from the mower blade at all times! Do not stand near the grass ejection chute if the grass collection box is not fitted.
- The safety distance from the moving blade produced by the push handle must be maintained at all times.
- If you use the mower on a small incline, mow across the slope (not in an up and down direction). Always be sure of your footing on slopes.
- Be particularly careful when changing direction with the mower whilst working on a slope.
- Do not use the lawn mower on gradients of over 15°.
- Ensure that you have safe footing at all times whilst working with the mower.
- Always wear strong, anti-slip footwear and long trousers when using the mower. Never mow in bare feet or in open-toed sandals.
- When the mower is running, ensure that no person or animal, particularly children and pets, are in the immediate vicinity of the lawn


mower. Ensure that you keep everybody at least 10 metres away from the mower when it is working.

- Switch off the motor and disconnect the plug from the power supply if the mower strikes a foreign body. Check the mower for signs of damage and carry out all necessary repair work before you start the mower again.
- If the lawn mower begins to vibrate abnormally, switch it off immediately, disconnect the plug and check it carefully. Ensure that all the nuts, bolts and screws are tight and that the mower is in a safe condition for use.
- Do not leave the mower out in the rain. The lawn must not be wet or very damp.
- Only push the mower at a normal walking pace.
- Be particularly careful when you change the direction of the mower or pull it towards you. Avoid pulling it towards you while the blade is moving.
- Switch off the mower if it has to be pushed over surfaces other than grass, and when moving the mower to and from the area you wish to mow.
- Carefully actuate the starter switch in accordance with the instructions.
- Do not switch the mower on and off frequently over a short period of time, and in particular, do not play with the ON/OFF switch.
- Do not touch the cutting blade until the machine has been disconnected from the mains and the cutting blade has reached a

complete standstill.

- Never lift or carry the mower whilst the motor is running.
- Switch off the motor and disconnect the plug whenever you leave the lawn mower.
- Keep the lawn mower in a dry place which is inaccessible to children at all times.
- Before you adjust or clean the mower, or check whether the mains lead is kinked or damaged, switch off the mower and disconnect the plug from the power supply.

Operating and maintenance safety

 **CAUTION!** Read all safety requirements and instructions. Any errors made in following the safety requirements and instructions may result in an electric shock, fire or serious injury.

Keep all safety regulations and instructions in a safe place for future use.

- Do not use the lawn mower if the cords are damaged or worn.
- Do not connect a damaged cord to the mains supply or touch a damaged cord before it is disconnected from the mains supply. A damaged cord could allow parts to become live and cause a risk of electrocution.
- Do not attempt to touch the blades before the machine is disconnected from the supply and the blades have come to a complete stop.
- Keep extension cords away from the blade.

The blade can cause damage to cords and lead to contact with live parts.

- Disconnect from the mains supply (i.e. remove the plug from the mains socket)
 - Whenever leaving the machine unattended.
 - Before cleaning a blockage.
 - After striking a foreign object.
 - Whenever the machine starts vibrating abnormally.

Intended Use

This lawn mower is designed for domestic use only:

- This electric lawn mower is intended for mowing lawns in domestic and hobby gardens.
- This product is not to be used in wet weather conditions and may not be used to mow wet or unusually high grass.
- This product is intended for private domestic use only, not for any commercial trade use. It must not be used for any purposes other than those described. Any use of the machine that deviates from its intended use and is not included in these instructions, is considered unauthorised use and relieves the manufacturer from his or her legal liability. This includes the use of unapproved accessories and replacement parts.

Service

This tool is manufactured in accordance with the relevant safety regulations. To avoid danger, electrical appliances must only be repaired by qualified technicians. Call our after sales support on 0343 515 1905 for advice.

Warning Symbols

The following warning symbols appear throughout this manual and indicate the appropriate safety measures you should take when operating and maintaining the appliance.



Read the instruction handbook before operating this machine.



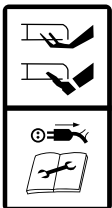
Wear eye and ear protection (PPE).



Do not expose to rain.



Keep bystanders away.



Beware of sharp blades. Blades continue to rotate after the motor is switched off. Remove plug from mains before maintenance or if cord is damaged.



Keep flexible supply cord away from cutting means.



Blade continues to rotate after the machine is switched off. Wait until all machine components have completely stopped before touching them.



Guaranteed sound power level data (96dB) in accordance with Directive 2000/14/EC.



Class II equipment.



Recycle unwanted materials instead of disposing of them as household waste. All tools, hoses and packaging should be sorted, taken to the local recycling centre and disposed of in an environmentally safe way.



Cutting width.

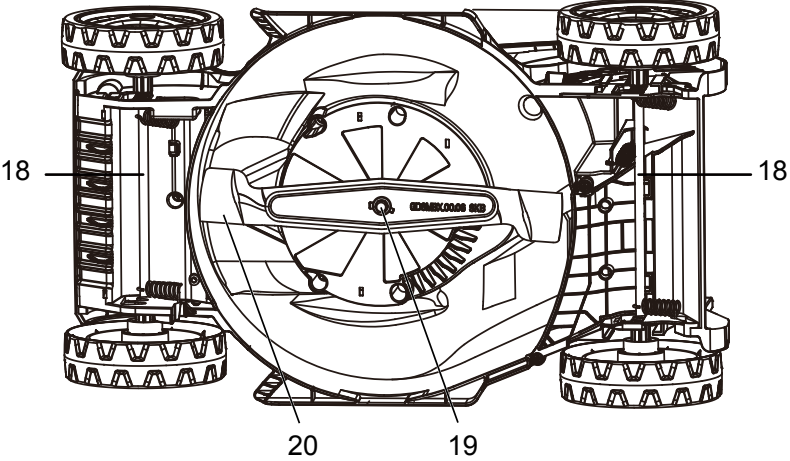
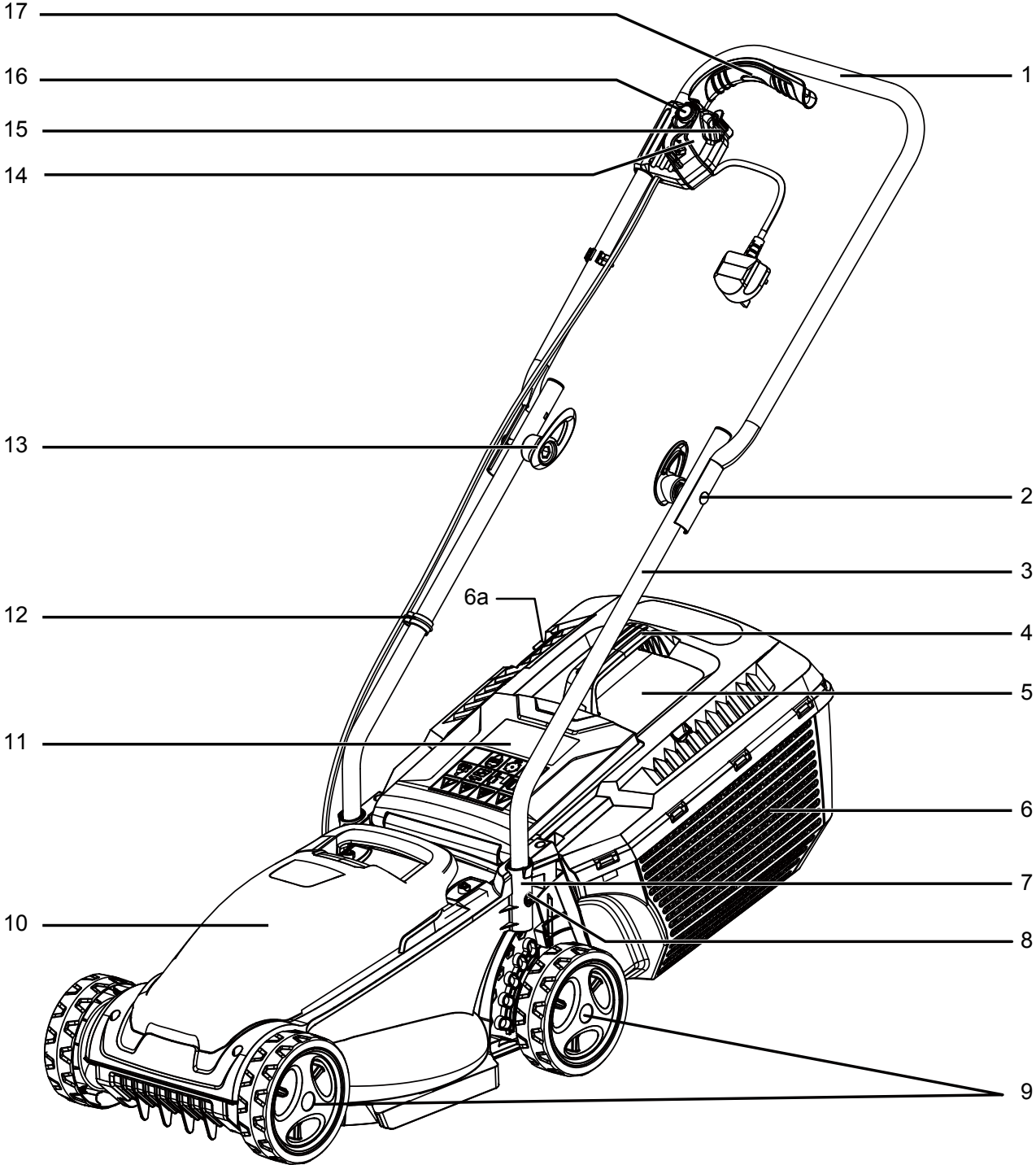


The product complies with the applicable European directives and an evaluation method of conformity for these directives was done.



The product complies with the applicable UK directives and an evaluation method of conformity for these directives was followed.

In the Box



Parts

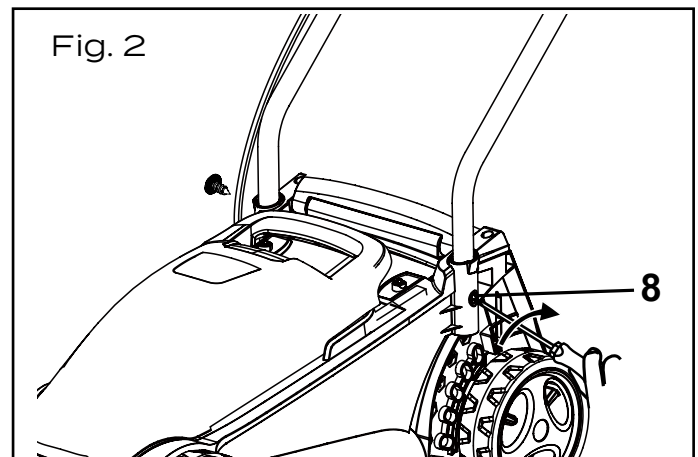
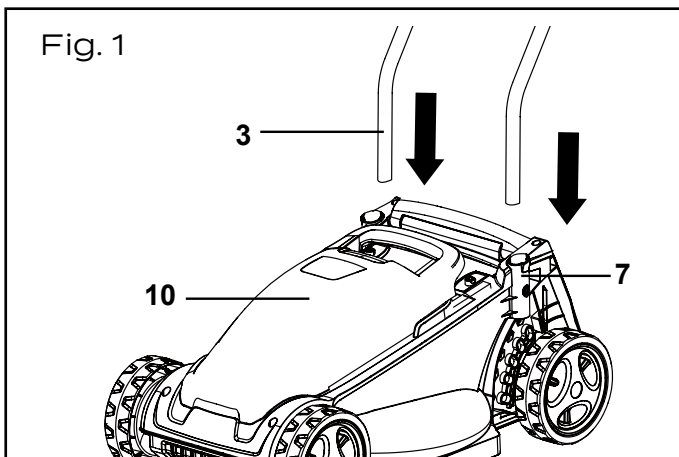
1	Upper handle bar	10	Motor housing
2	Bolt (x 2)	11	Deflector guard
3	Lower handle bar (x 2)	12	Cable clip (x 2)
4	Grass collection box handle	13	Wing knob (x 2)
5	Grass collection box top	14	Switch box housing
6	Grass collection box	15	Cable strain-relief
6a	Grass collection box full indicator	16	Safety button
6b	Insert*	17	Switch lever
7	Support (x 2)	18	Wheel axle (x 2)
8	Screw (x 2)	19	Nut
9	Wheel (x 4)	20	Blade

NOTE: Parts marked with * are not shown in this overview. Please refer to the respective section in the instruction manual.

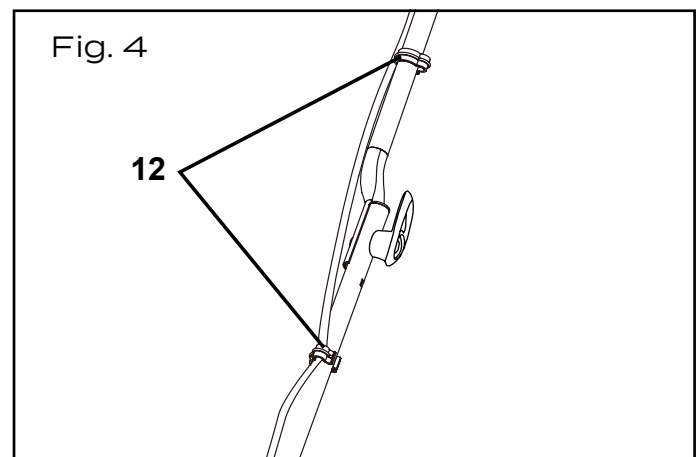
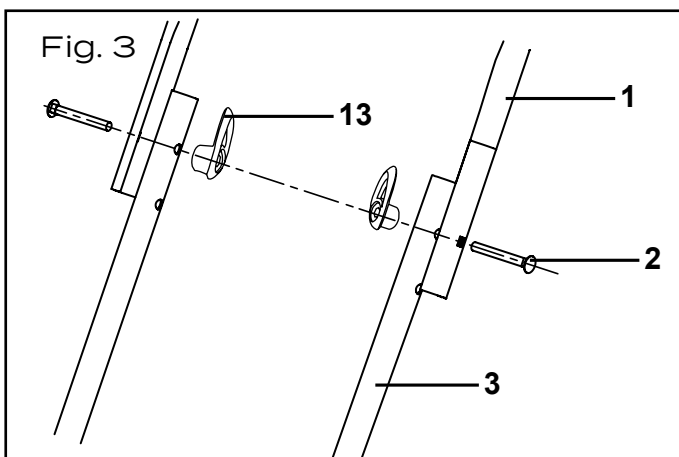
Assembling The Lawn Mower

Step 1 – Assembling handles

1. Insert the lower handle bar (3) into the supports (7) on the deck (10) (Fig. 1)
2. Fix the lower handle bar (3) using the enclosed screws (8) (Fig. 2).



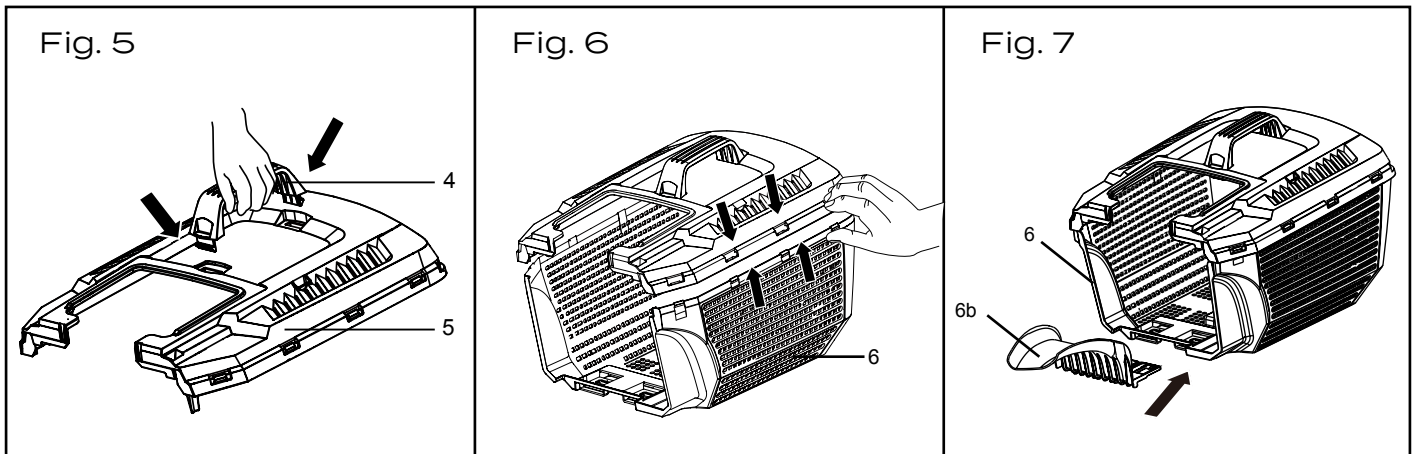
3. Fix the upper handle bar (1) using the enclosed bolts (2) and the wing knobs (13) on the lower handle bar (3) (Fig. 3). There are two possible positions. Select the position appropriate for the height of the user.
4. Secure the cable against the handle frame with the supplied cable clip (12). Ensure the cable must be clipped into the cable clip (12) (Fig. 4).



Step 2 – Assembling the grass collection box

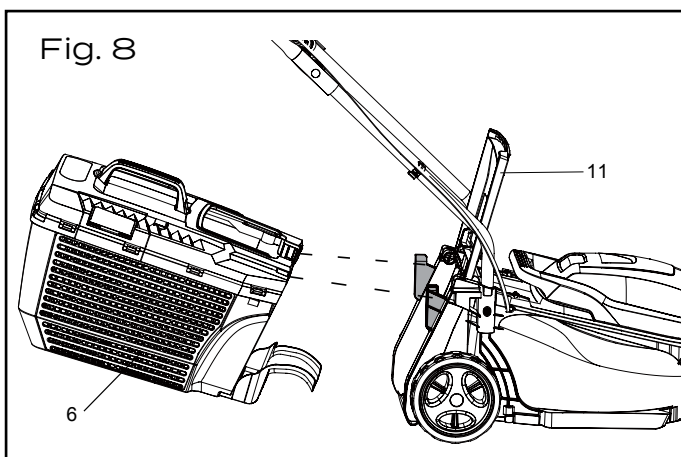
⚠ WARNING! Never operate the mower unless the deflector guard and grass collection box are fully installed. Risk of injury!

1. Clip the grass collection box handle (4) into the grass collection box top (5) (Fig. 5).
2. Align the front ends of the top and the bottom of the grass collection box (6). Clip the two halves together, starting at the front (Fig. 6)
3. Finally, press the insert (6b) into the grass collection box (6), and make sure the insert is located securely in position. This insert assists the grass flow into the grass collection box when the grass collection box is fitted to the mower (Fig. 7).



Step 3 – Attaching the grass collection box

1. Lift the deflector guard (11).
2. Place the grass collection box (6) on the mounting bracket at the back of the lawn mower (Fig. 8).
3. Lower the deflector guard (11) onto the grass collection box (6).



Operation

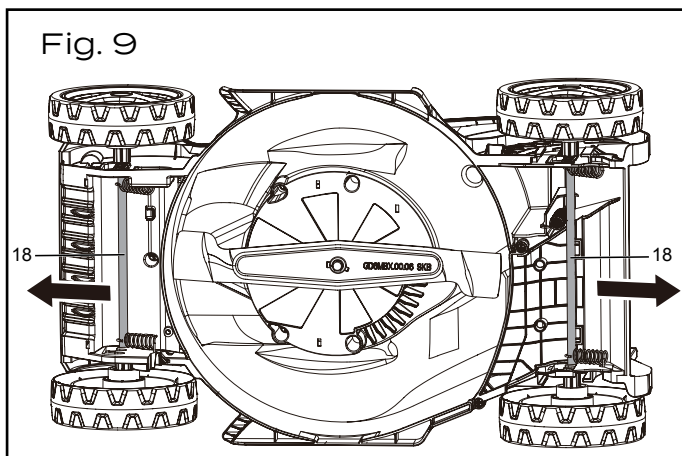
Setting the cutting height

⚠ WARNING! Ensure the power cord is disconnected from the mains supply before adjusting the cutting height.

- Place the lawn mower on its side.
- Grasp the wheel axle (18) on both sides (Fig. 9).
- Pull evenly on the axle and let it snap into the desired position (Fig. 9).
- The correct height is around 20–40mm for a decorative lawn and around 40–60mm for a used lawn.

NOTE: A higher cut height should be selected for the first cut of the season.

⚠ WARNING! Keep the front and rear wheels at the same height.



The electric lawn mower can be adjusted to the following cutting heights with three position changes of the front and rear axles (18):

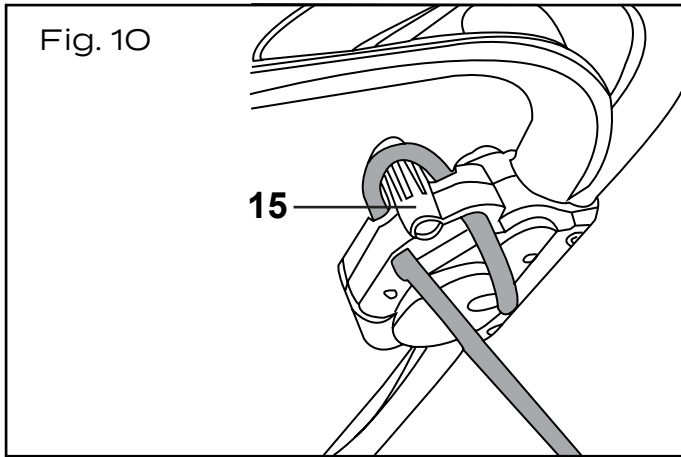
60mm - Tall cutting height

40mm - Medium cutting height

20mm - Short cutting height

Connecting to the power supply

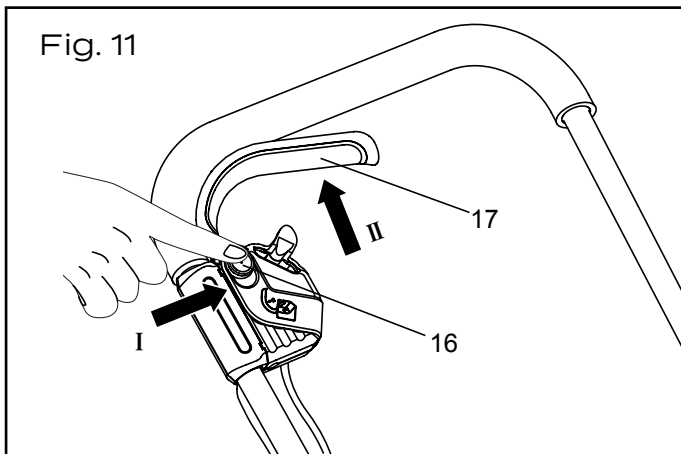
1. Hook the mains cable through the cable strain-relief (15) (Fig. 10).
2. Connect the mower to your power supply.



Switching on and off

⚠ WARNING: Before switching on, ensure that the mower is not in contact with any foreign objects.


1. To switch on, press the safety button (16) on the handle, then activate the switch lever (17). Release the safety button (16). (Fig. 11).
2. To switch off, release the switch lever (17).




⚠ WARNING! After switching off the equipment, the blade may continue to turn for several seconds. Do not touch the moving blade. There is a risk of serious injury.

Operation

Before you connect the equipment to the mains supply, make sure that the data on the rating plate corresponds to your mains supply.

 **WARNING!** Always ensure the on/off switch is working correctly; do not use if you suspect a fault. Before you perform any repair or maintenance work on the machine, ensure that the blade is not rotating and that the power supply is disconnected.

 **WARNING!** Never open the deflector guard if the grass box is being emptied and the motor is still running. The rotating blade can cause serious injuries and throw objects out at high speed.

Always ensure the deflector guard and grass collection box fit securely. Always switch off the motor before you remove these items.

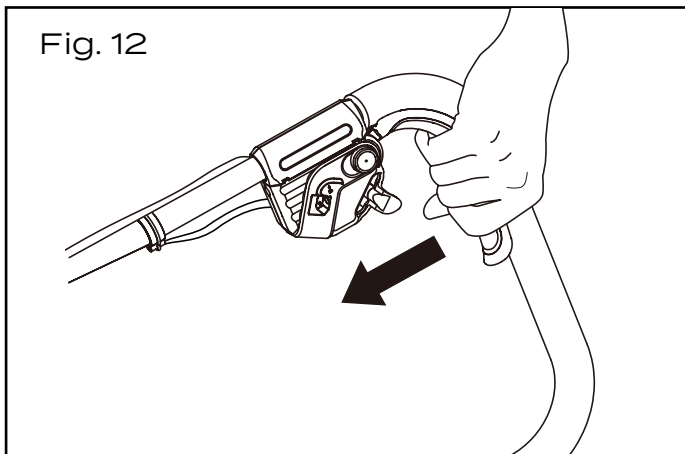
A safe distance between the blade deck and the user is provided by the length of the handle. This distance must be maintained at all times. Take special care when mowing and changing direction on embankments and slopes. Ensure that you have a secure surface to stand on, wear shoes with anti-slip soles that offer good grip, and suitable long trousers. Always mow across the slope (not in an up or down direction).

For safety reasons, do not use the mower on gradients exceeding 15°.

Take special care when moving backwards and pulling the lawn mower. Never pull the mower backwards when the motor is running.

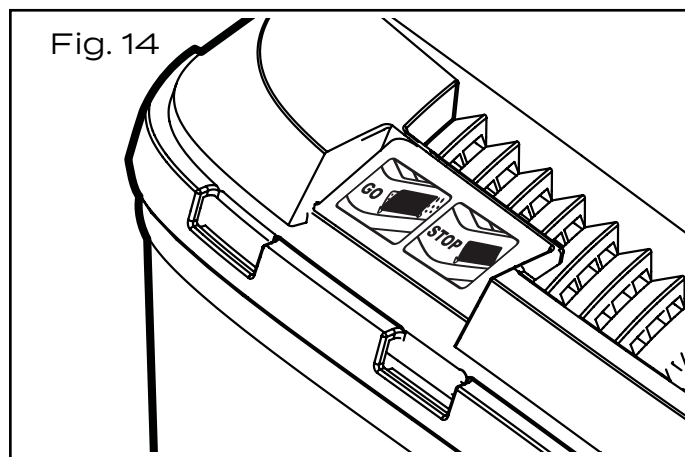
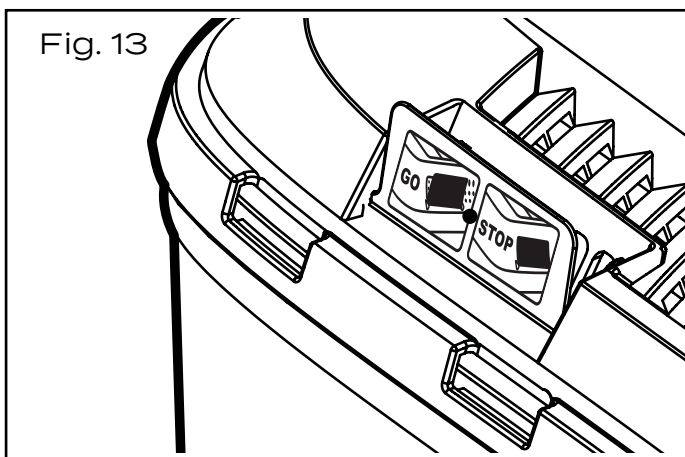
Mowing direction

Place the mains lead in loops on the ground near the wall socket. Mow away from the socket and cable and ensure that the mains lead is always on the section of lawn that you have already mowed so that you do not run over the mains lead with the mower (Fig. 12). The blades can cause damage to the power cord if contact is made and risk electrocution.



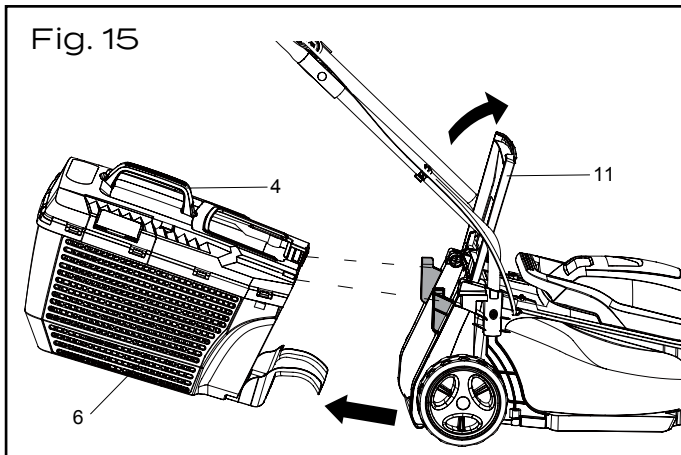
Grass collection box full indicator (6a)

1. When this flap remains open as you work, it means that the grass collection box is not full (air flowing freely through the grass collection box) (Fig. 13).
2. When this flap remains closed it means that the grass collection box is full and needs to be emptied (no airflow through the grass collection box) (Fig. 14).



Emptying grass collection box

To remove the grass collection box, raise the deflector guard (11) with one hand and remove the grass collection box (6) holding its handle (4) with your other hand (Fig. 15). To maintain safety, the deflector guard automatically closes to the rear discharge position when you remove the grass collection box (6).



Maintenance and Storage

Cleaning

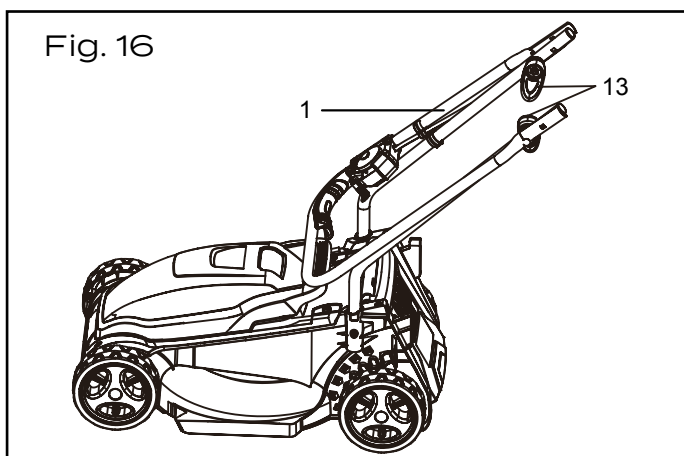
⚠ WARNING! Always switch the product off, disconnect it from power supply and let the product cool down before performing inspection, maintenance and cleaning work!

1. Keep all safety devices, air vents and the motor housing free of dirt and dust as far as possible. Wipe the equipment with a soft brush or blow it with compressed air at low pressure after usage.
2. Clean the mower regularly with a soft nylon-bristled brush. Do not use cleaning agents or solvents; these may damage plastic components.
3. Ensure that no water can seep into the device.

Storing

The handles can be folded for easy storage (Fig. 16).

1. Keep the equipment dry and out of reach of children. Loosen the wing knobs (13) and fold down the upper handle bar (1) so the equipment takes up less space. Ensure that the cable is not caught.
2. Allow the motor to cool before storing the equipment in a confined space.
3. Do not cover the equipment with nylon bags as moisture could build up.



Blade maintenance

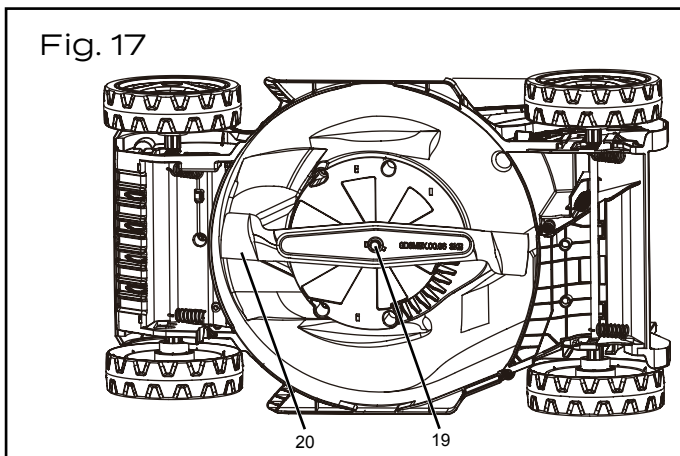
⚠ WARNING! If the blade is blunt, it can be sharpened in a specialised workshop. If the blade is damaged or showing signs of imbalance, it must be replaced.

Carry out the following steps to change the blade:

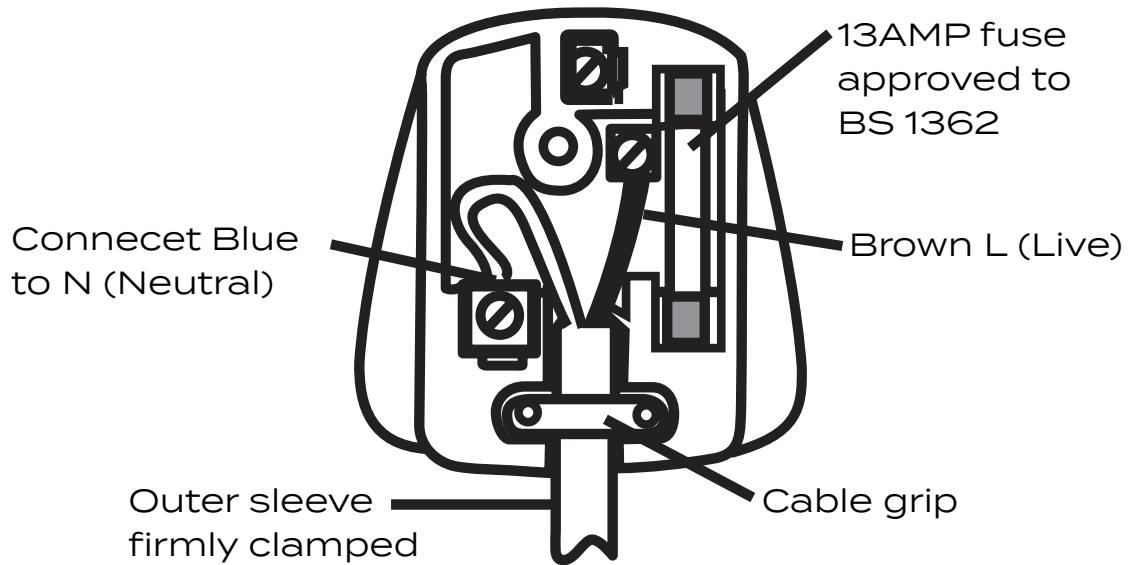
1. Turn the mower over and rest it carefully on its side.
2. Use sturdy gloves and hold the blade firmly. Turn the blade nut (19) anticlockwise to remove the blade (20) (Fig. 17).
3. Install the new blade in the reverse order. Ensure that the blade is positioned correctly and the screw tightened firmly.
4. Tighten the fastening bolt. The tightening torque should be approx. 25 Nm.

⚠ IMPORTANT! Always wear work gloves when engaging in any maintenance work.

Only replace the blade with a genuine replacement blade, as this will ensure top performance and safety under all conditions.



Plug replacement



If you need to replace the fitted plug, then follow the instructions below.

! **IMPORTANT!** The wires in the mains lead are coloured in accordance with the following code:

Blue – Neutral

Brown – Live

As the colours of the wire in the mains lead of this apparatus may not correspond with the coloured marking identifying the terminals in your plug, proceed as follows.

The blue wire must be connected to the terminal marked N or coloured black.

The brown wire must be connected to the terminal marked L or coloured red.

! **WARNING!** Never connect live or neutral wires to the earth terminal of the plug.

Only fit an approved BS 1363 or BS 1363/A plug and correctly rated BS 1362 13 Amp fuse.

If in doubt, consult a qualified electrician.

NOTE: If a moulded plug is fitted and has to be removed, take great care in disposing of the plug and severed cable; it must be destroyed to prevent it being accidentally plugged into a power socket.

Troubleshooting

WARNING!

Only perform the steps described within these instructions!

All further inspection, maintenance and repair work must be performed by a qualified specialist!


Always turn off the machine and remove the plug before making any adjustment.

The following table provides solutions to common problems encountered with the mower.

Fault	Possible Cause	Solution
Mower does not start	No power at mains socket	Check the fuse, switch, socket, cable, and wire, and have any repairs carried out by a qualified electrician
	Defective safety button or switch lever	Contact the after sales helpline
	Defective motor	
	Grass too long	Set at a higher cut setting. Lift the front wheels slightly by pressing down on the handle bar
Motor stops	Blade is blocked	Disconnect from the mains and remove blockage
Untidy finish, motor labours	Cut height too low	Set a higher cut height
	Blade blunt	Sharpen or replace the blade
	Blade area blocked	Remove blockage
	Blade assembled incorrectly	Install the blade correctly
Blade fails to turn	Blade blocked by grass	Remove blockage
	Drive belt broken	Contact the after sales helpline
	Blade screw loose	Tighten the blade screw
Strange noises, rattling or vibrations	Blade screw loose	Tighten the blade screw
	Blade damaged	Replace the blade
Smoke or burning smell	Drive belt worn or damaged	Contact the after sales helpline

Technical Data

Technical data table

Specification	Value
Model	M5E1232E
Voltage	220-240V ~ 50Hz
Power input	1200W
No load speed	3400min ⁻¹
Cutting width	32cm
Cutting height	20mm/40mm/60mm
Volume of grass collection box	33L
Measured sound pressure level L_{pA}	80dB(A) K=3dB(A)
Measured sound power level L_{WA}	90.6dB(A) K=2.08dB(A)
Guaranteed sound power level L_{WA}	96dB(A)
Vibration at the handlebars a_{hv}	$\leq 2.5m/s^2$
Protection class	 / II
Net weight	9.07Kg

Disposal

Disposal and recycling



Recycle unwanted materials instead of disposing of them as household waste. All tools, hoses and packaging should be sorted, taken to the local recycling centre and disposed of in an environmentally safe way.

Getting Help

If you need help or have damaged or missing parts, call the Customer Helpline on **0343 515 1905**.

Warranty

This product is covered by a 3 year warranty.

The warranty covers any manufacturing defect in materials, workmanship and finish.

Any claim under this warranty must be made by going to your nearest Homebase store, taking your proof of purchase with you, and claims must be made within 3 years of the date of purchase.

We will offer you a free repair of the item where this is possible, or a replacement or a refund. Your statutory rights remain unaffected, in particular any rights you may have under the Consumer Rights Act 2015.

This warranty is given by HHGL Limited, MK9 1BA; HHGL (ROI) Limited, DO2 X576.

Please note: This warranty does not apply to products misused or neglected and only covers domestic use. It does not apply to commercial use of the product.