

Idris Clay Firebowl

User Instructions - Please keep for future reference

67152
V1.0



IMPORTANT – Carefully remove any packaging before use, but retain the safety instructions. These instructions form part of the product.
Please take note of all of the safety warnings listed in these instructions.
Please read these instructions in their entirety and retain them for future reference.
These instructions should be stored with the product.
This product is for domestic use **ONLY** and should not be used commercially or for contract purposes.

Produced in PRC for La Hacienda Ltd
Hangar 27, Site C, Aston Down Airfield, Nr Stroud, Glos, GL6 8HR, UK
www.lahacienda.co.uk
La Hacienda customer helpline: 03451 306192

WARNINGS - CAUTION!

- This product **MUST** be cured before use - see instructions below.
- **DANGER** of carbon monoxide poisoning - **NEVER** light this product or let it smoulder or cool down in confined spaces.
- This product is intended **FOR OUTDOOR USE ONLY**.
- **NEVER** leave a burning fire unattended.
- **DO NOT** overload the unit with fuel.
- **FIRE HAZARD** – Hot embers may emit while in use.
- **WARNING DO NOT** use petrol, white spirit, lighter fluid, alcohol or other similar chemicals to light a fire as a rapid increase in temperature could damage the Firebowl.
- This product is **ONLY** suitable for use with charcoal, untreated wood, logs La Hacienda Heatblox and Easylogs. **DO NOT** use coal.
- **DO NOT** use this Firebowl on decking or any other flammable surfaces such as dry grass, wood chips, leaves or decorative bark.
- Ensure that the Firebowl is positioned at least 2 metres away from flammable items.
- **DO NOT** use this Firebowl as a furnace - **ONLY** use as a patio heater.
- **DO NOT** handle or move the Firebowl whilst alight as it will be hot.
- **ALWAYS USE** heat resistant gloves when in use as the unit will be hot.
- **ALWAYS** keep children and pets at a safe distance from the Firebowl when in use.
- **NEVER** burn fuel on the base of the Firebowl. Always follow the instructions below.

CARE & USE

- This product **MUST** be cured before use - see instructions below.
- Ensure that the Firebowl is positioned on a permanent flat, level, heat resistant non-flammable surface away from flammable items.
- Ensure Firebowl has a minimum of 2m overhead clearance and has a minimum of 2m clearance from other surrounding items.
- Decide on the location and place Firebowl on stand. The assembled Firebowl is heavy and it is therefore recommended the unit is not moved once positioned and must not be moved whilst in use. If it is necessary to move it once cooled, please use 2 persons to lift (do not drag) the firebowl across the floor.
- **Before use, place a minimum layer of 5cm of normal (building) sand in the base. This will help protect the Firebowl from excessive heat and cracking. Fuel must not be burnt directly on the Firebowl base.**
- The Firebowl has been pre-treated with sealant but regular re-treating throughout the season with La Hacienda Chimseal is recommended to extend the life and to protect the product from weathering.
- The Firebowl surface will age and discolour naturally – this is to be expected and will not affect use.
- For safety reasons, always inspect your Firebowl prior to use for signs of fatigue and damage and replace your model as and when necessary.
- Always use heat resistant gloves during use and when adding fuel.

CURING THE FIREBOWL & GENERAL USE

- To start a fire, place a small quantity of kindling wood and rolled newspaper in the base of the unit on top of the sand. Light the paper and allow a flame to build up. Once sufficiently alight add a small log and allow to burn slowly.
- Allow the log to burn out and the firebowl to cool. Repeat this procedure at least **twice** more. This seals any pores with soot and cures the firebowl. The firebowl is now ready for use. During use, only a couple of logs is sufficient and produces enough heat.
- **DO NOT** overload the unit with fuel (untreated wood, logs, Easylogs, Heatblox or charcoal) – if the fire is too intense this could damage the firebowl.
- Always use heat resistant gloves when adding fuel.

COOKING ON YOUR FIREBOWL

- Add approximately 1kg of charcoal into the firebowl on top of the sand, then light the charcoal.
- It is recommended that the unit be heated up and the fuel kept red hot for at least 30 minutes prior to first cooking on the unit.
- **DO NOT** cook before the fuel has a coating of ash.
- Using heat resistant gloves and the tool provided, place the chrome plated cooking grill in the rim of the firebowl ensuring the grill is stable.
- If refueling is required, always use heat resistant gloves and the tool provided to remove the grill as this will be very hot.
- When finished **DO NOT** remove the grill until the unit has completely cooled.

FOOD COOKING INFORMATION

- Please read and follow this advice when cooking on your firebowl.
- Always wash your hands before and after handling uncooked meat and before eating.
- Always keep raw meat away from cooked meat and other foods.
- Before cooking ensure grill surfaces and tools are clean and free of old food residues.
- **DO NOT** use the same utensils to handle cooked and uncooked foods.
- Ensure all meat is cooked thoroughly before eating.
- **CAUTION** – eating raw or under cooked meat can cause food poisoning (e.g. bacteria strains such as E.coli).
- To reduce the risk of under cooked meat cut open to ensure it is cooked all the way through.
- **CAUTION** – if meat has been cooked sufficiently the meat juices should be clear and there should be no traces of pink/red juice or meat colouring.
- Pre-cooking larger pieces of meat and joints is recommended before finally cooking on your grill.
- After cooking on your grill always clean the grill cooking surfaces and utensils.
- Clean your grill using warm, soapy water. **DO NOT** clean in a dishwasher.

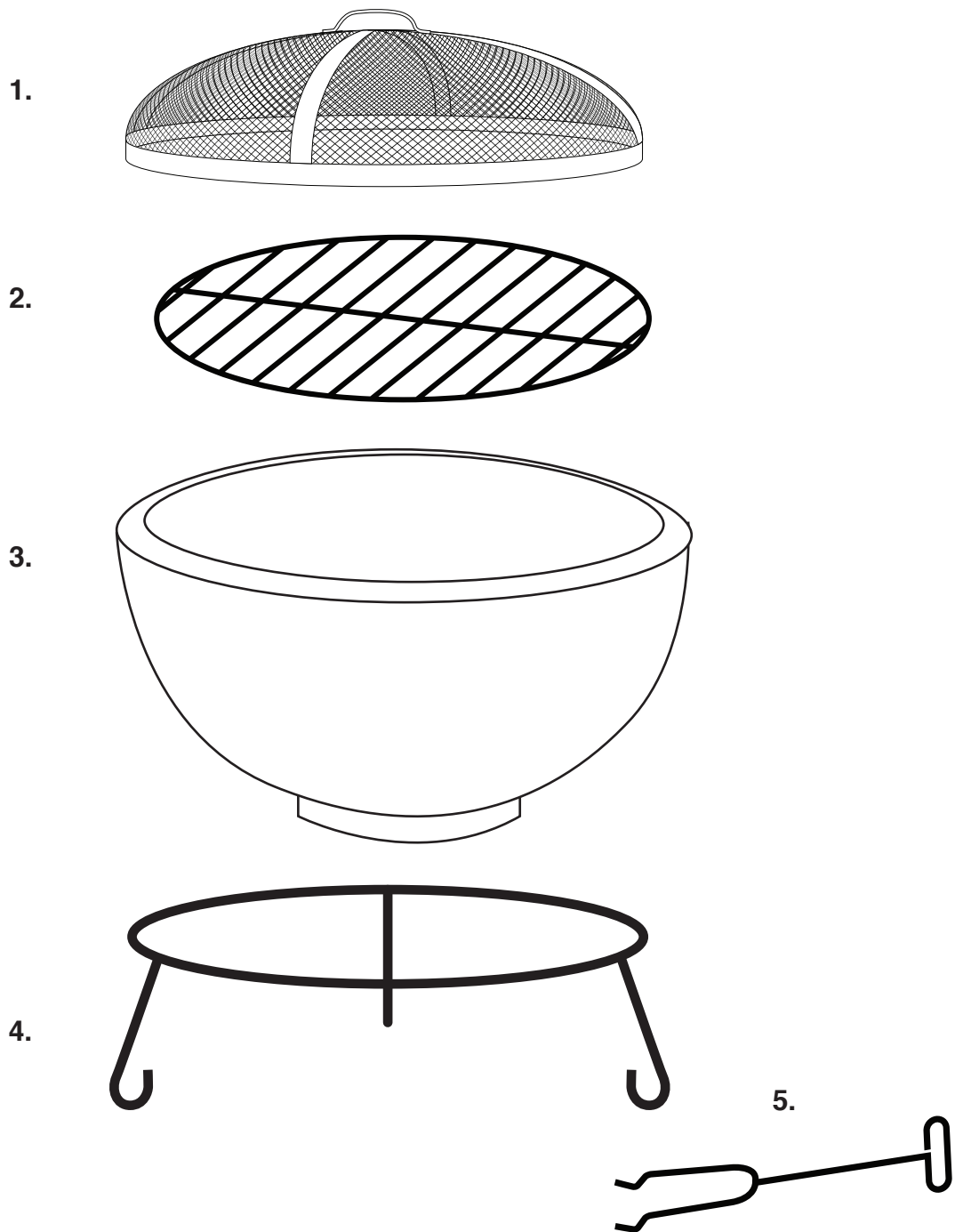
EXTINGUISHING

- To extinguish unit – stop adding fuel and allow fire to die or douse with sand. **DO NOT** use water as this may damage the Firebowl.

STORAGE

- When not in use, and if stored outside, cover the Firebowl once completely cooled with a La Hacienda Firebowl Cover.
- The unit may be left outside all year if a La Hacienda Firebowl cover is used to help protect it from the elements. In very cold spells (below -3°C), it is recommended your Firebowl also be moved into a shed, garage or under cover.
- If using a La Hacienda outdoor cover, only position once the fire has died and unit has completely cooled.
- Regularly re-treat your Firebowl with La Hacienda Chimseal during the summer season and at the end of each season before reusing.
- The general lifespan of the Firebowl may be affected by continued repositioning.

N.B As this product is handmade, it will have individual characteristics in the form of distinguishing marks and colouring as well as slight variations in size and weight. Discolouration of the paint finish will occur after use. This is normal and to be expected.



IMPORTANT – Remove any packaging before use, but retain safety instructions and store them with this product.

ASSEMBLY

STEP 1 – Position Firebowl stand (4) onto permanent, flat, level, heat resistant, non-flammable surface away from flammable items.

STEP 2 – Place Firebowl (3) into Firebowl stand (4).

STEP 3 – Add sand into the base (not included).

STEP 4 – Place cooking grill (2) onto the firebowl using the tool (5).

STEP 5 – Place mesh cover (1) onto the Firebowl (3) using the tool (5).

The product is now ready to use but please ensure you have read these instructions thoroughly prior to use.