

HOMEBASE

BAMBRICK SQUARE TABLE

Powder-coated steel frame

Toughened glass table top

H74 x W90 x D90cm



INSTRUCTION MANUAL

IMPORTANT: Please read these instructions before using the product and retain for future use.
HHGL Limited, MK9 1BA, HHGL (ROI) Limited, D02 X576

SAFETY & CARE ADVICE

Please read these instructions fully before starting assembly.




- This product is made from toughened glass, which is strong but not unbreakable. In the unlikely event that the glass fails, it will break into a large number of small fragments that may be spread over a wide area. This is a feature of toughened glass, and is designed to remove the risk of injury from glass breaking into large shards.
- If the glass is chipped or broken, stop using the product.
- Tables should not be dragged at any time.
- Do not strike or place heavy weight on the table.
- Do not place hot items directly onto the glass.
- Avoid dropping objects on the glass, as this may weaken or shatter it.
- Do not use the glass as a chopping surface.
- Do not strike the glass with hard or pointed items.
- Check you have all the components and tools listed in this booklet before assembly.
- Remove all fittings from their plastic bags and separate them into their groups.
- Keep children and animals away from the work area; small parts could choke if swallowed.
- Make sure you have enough space to lay out the parts before starting.
- Do not stand or put weight on the component parts during assembly, as this could cause damage.
- Assemble on a soft, level surface to avoid damaging the table or your floor.
- We recommend a two-person assembly.
- Dispose of all packaging carefully and responsibly.

IMPORTANT INFORMATION

- Regularly check all the bolts, screws and fastenings are secure.
- Only clean using a damp cloth and mild detergent; do not use bleach or abrasive cleaners.

COMPONENTS - PANELS

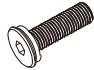

Please check you have all components listed below. If you have any missing or damaged components, please contact your local store.

A	 Glass top	1
B	 Table rim	1
C	 Table legs	4

COMPONENTS - FITTINGS

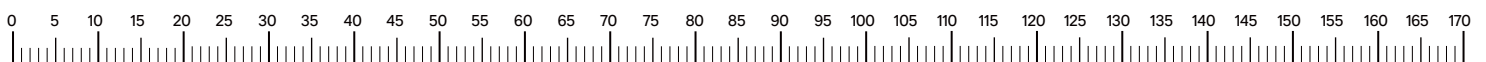
Please check you have all fittings listed below. If you have any missing or damaged fittings, please contact your local store.

Note: The quantities below are the correct amount to complete the assembly. In some cases, more fittings may be supplied than required.

D	 Screws M6x20	8
E	 Washers	8

Tools included

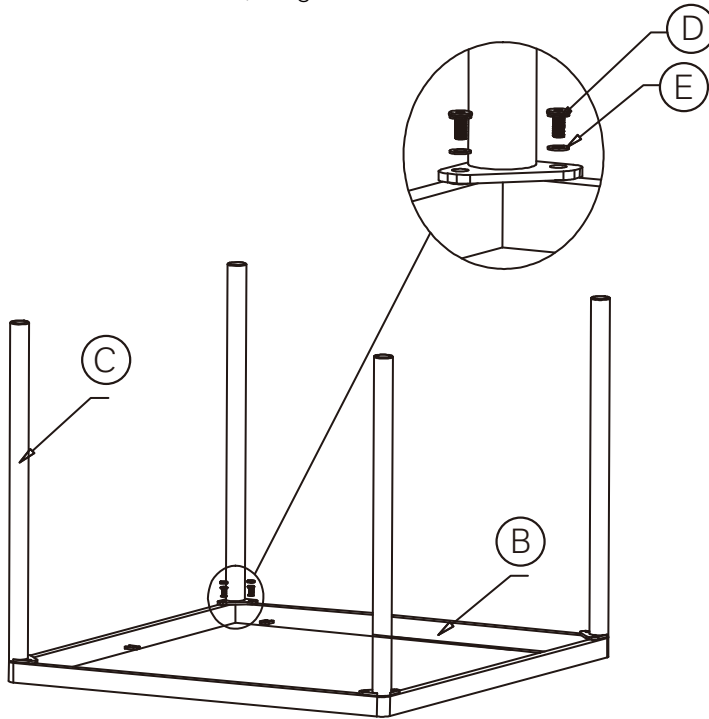
F	 Allen key	1
---	--	---



ASSEMBLY INSTRUCTIONS

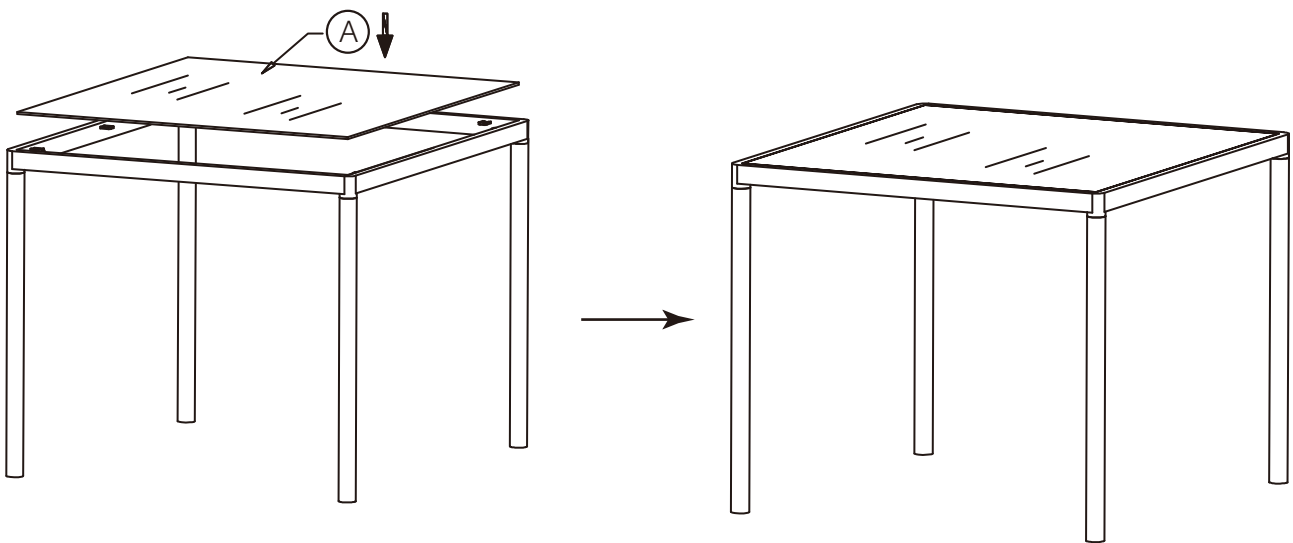
Step 1

Fit the four table legs **C** to the table frame **B**, using screws **D** and washers **E** with allen key **F**.



Step 2

Carefully place the glass top **A** onto the table.



ASSEMBLY COMPLETE