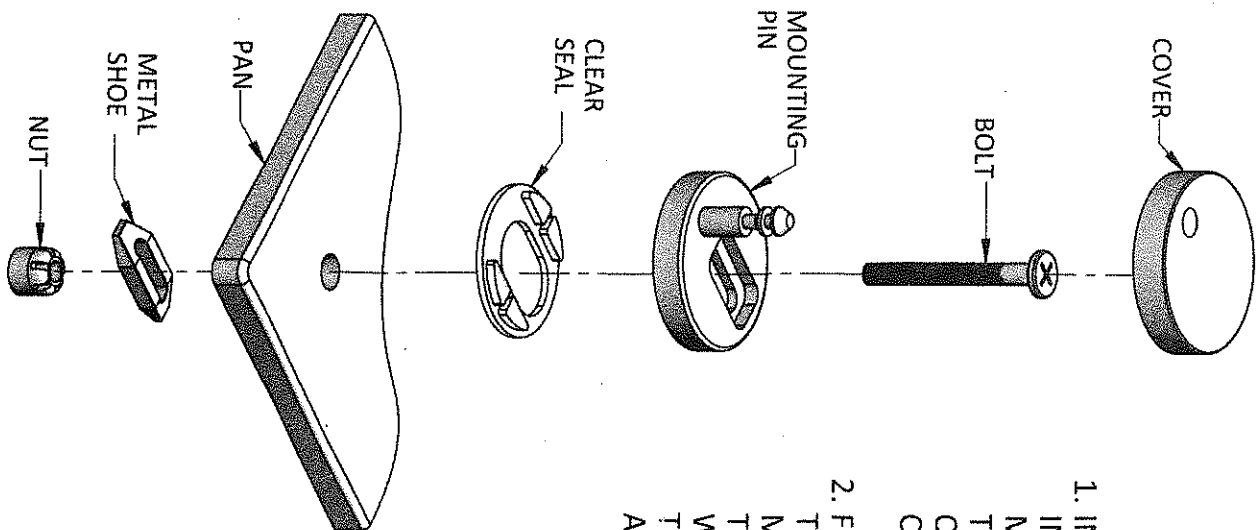
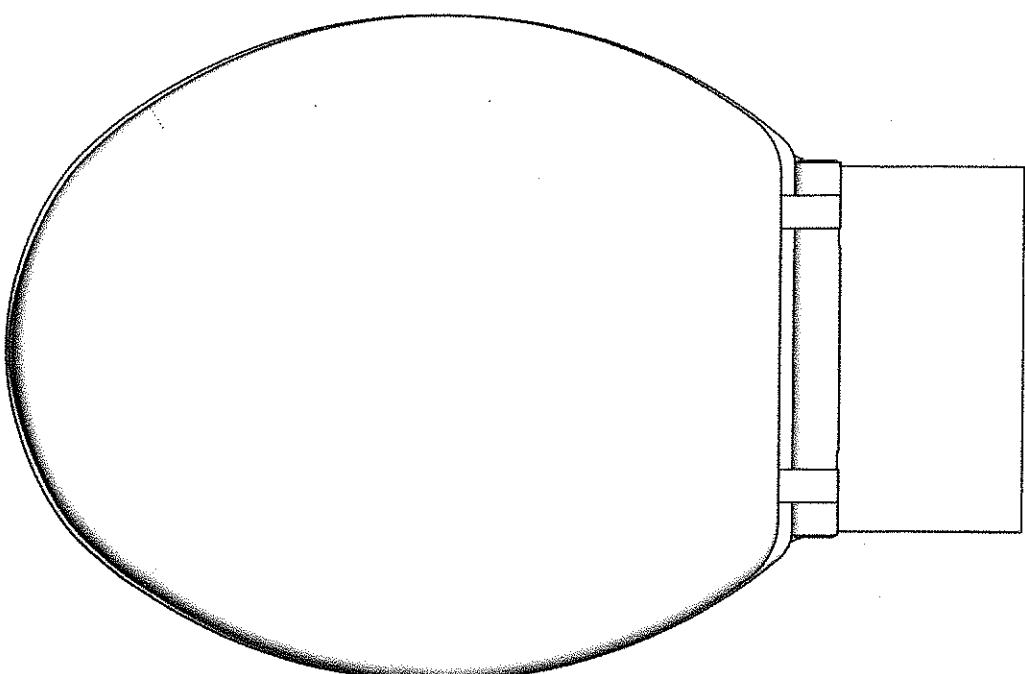


TOILET HINGE FITTING INSTRUCTION



1. INSERT THE CLEAR SEAL IN THE BOTTOM OF THE MOUNTING PIN ENSURING THE SLOT IS NOT OBSTRUCTED BY THE CLEAR SEAL.

2. FIT THE SUPPLIED BOLTS THROUGH THE PAN AND MOUNTING PINS AND FIT THE METAL SHOES ALONG WITH THE NUTS. HAND TIGHTEN, ALLOWING FOR ADJUSTMENT.



3. FIT THE SEAT ONTO THE PINS AND ADJUST UNTIL THE SEAT IS ALIGNED CORRECTLY ON THE PAN.