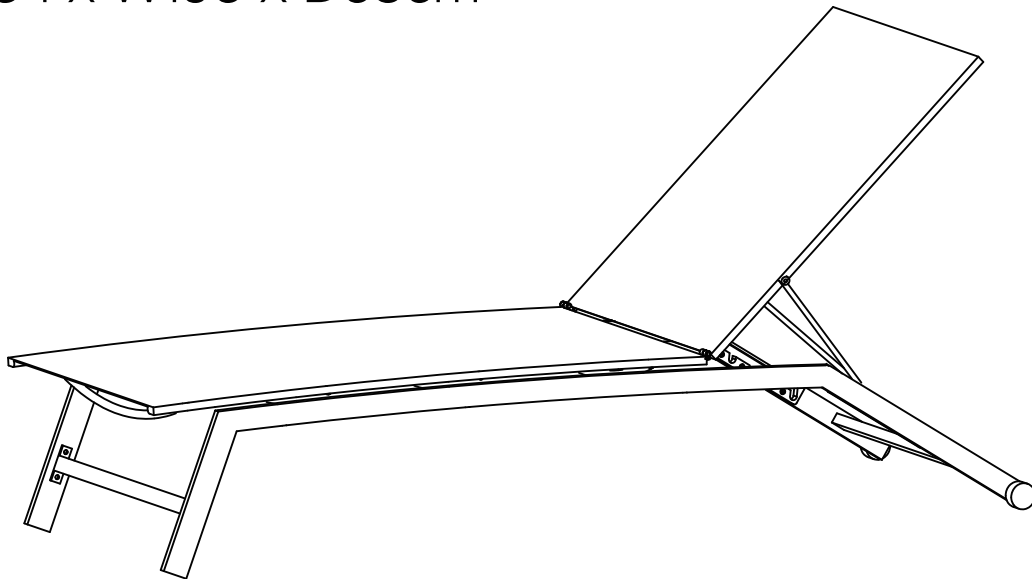


HOMEBASE

SUNLOUNGER WITH WHEELS

Powder-coated steel frame
Includes 1 x lounger
H34 x W195 x D63cm



INSTRUCTION MANUAL

IMPORTANT: Please read these instructions before using the product and retain for future use.

HHGL Limited, MK9 1BA HHGL (ROI) Limited, D02 X576

SAFETY & CARE ADVICE

Please read these instructions fully before starting assembly.

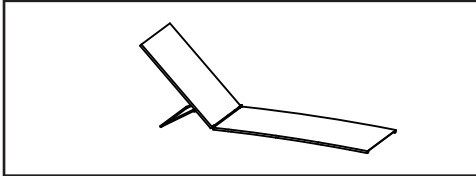
- Check you have all the components and tools listed on page 3 and 4.
- Remove all fittings from the plastic bags and separate them into their groups.
- Keep children and animals away from the work area; small parts could choke if swallowed.
- Make sure you have enough space to lay out the parts before starting.
- Do not stand or put weight on the component parts and product, as this could cause damage.
- Assemble the item as close to its final position as possible.
- Assemble on a soft, level surface to avoid damaging the unit or your floor.
- Parts of the assembly will be easier with two people.
- We do not recommend the use of power drills/drivers for inserting screws, as this could damage the unit. Only use hand screwdrivers.



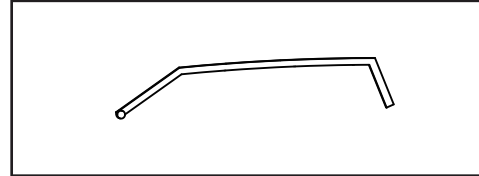
- Dispose of all packaging carefully and responsibly.
- Only clean using a damp cloth and mild detergent; do not use bleach or abrasive cleaners.
- From time to time, check that there are no loose screws on this unit.
- This product should not be discarded with household waste. Take to your local authority waste disposal centre.
- It's advised to cover your garden furniture when not in use, and that it is stored in a garage or shed over the winter months.
- Ensure furniture is dry before storing.
- Domestic use only.

COMPONENTS - PANELS

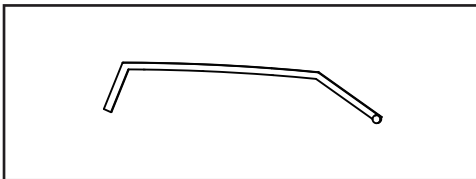
Please check you have all components listed below. If you have any missing or damaged components please contact your local store.



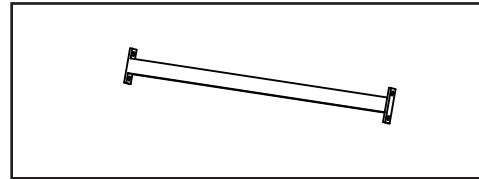
1 Frame x 1



2 Left Leg x 1



3 Right Leg x 1

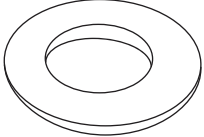
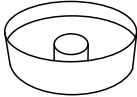
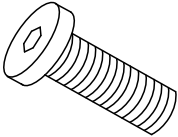
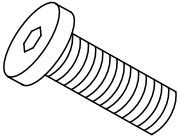


4 Tube x 2

COMPONENTS - FITTINGS

Please check you have all fittings listed below. If you have any missing or damaged fittings, please contact your local store.

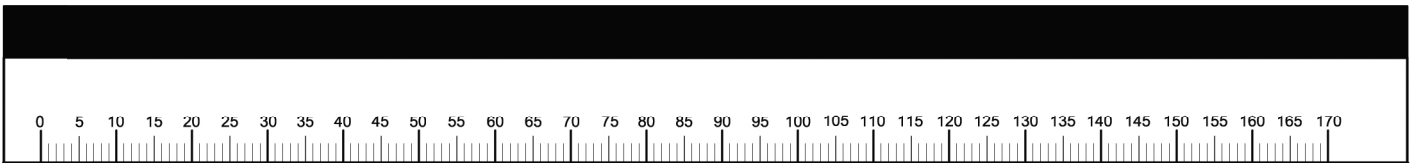
Note: The quantities below are the correct amount to complete the assembly. In some cases, more fitting may be supplied than required.

A  D14 washer x 14	B  M6 Bolt cap x 14
C  M6 x 65mm Bolt x 6	D  M6 x 20mm Bolt x 8

Tools required



4mm Hex key (included)

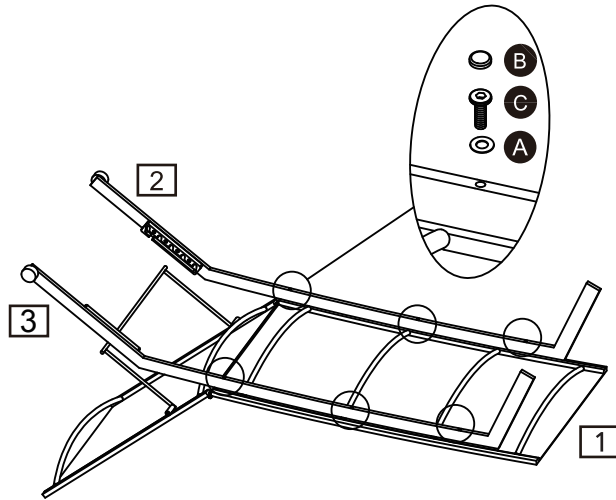


ASSEMBLY INSTRUCTIONS

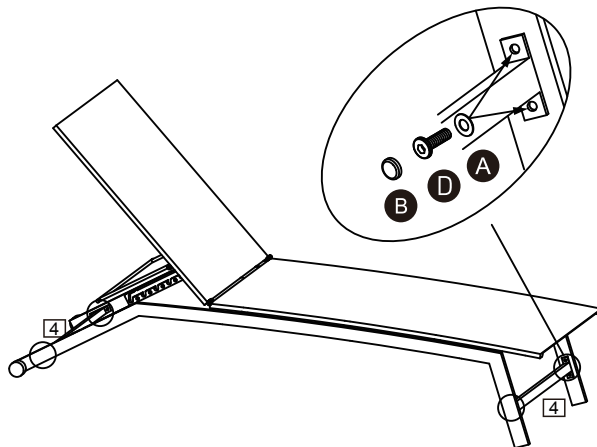
Attention:

Make sure that each bolt needed for all steps matches the corresponding figure to ensure proper assembly.

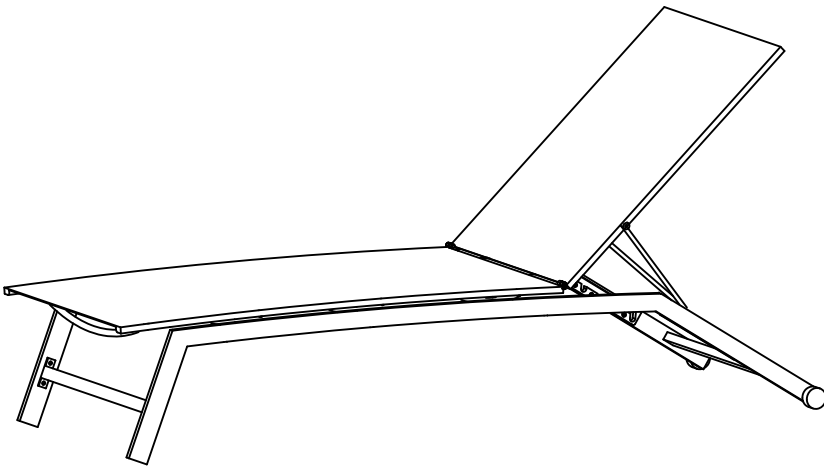
Step 1



Step 2



Step 3



ASSEMBLY COMPLETE