



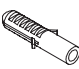

# FLOATING PHOTO SHELF

**MAX  
 5KG\***  
 PLASTERBOARD

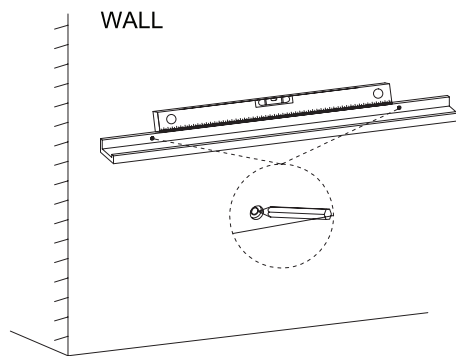
**MAX  
 5KG\***  
 MASONRY

\*LOAD EVENLY DISTRIBUTED

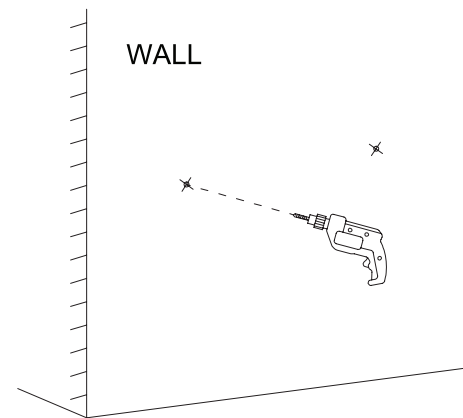
**Parts List**

-  **A x2pcs**
-  **B x2pcs**
-  **C x2pcs**
-  **D x2pcs**

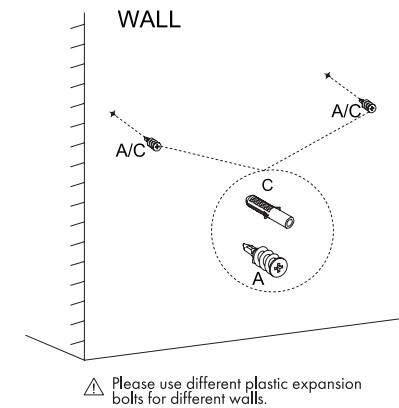
**Step 1**



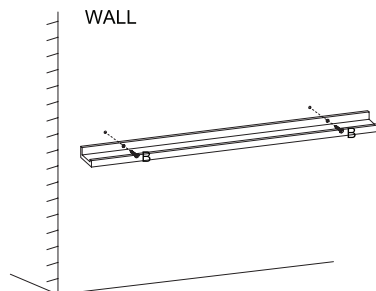
**Step 2**



**Step 3**



**Step 4**



**Step 5**

