

## Wire Storage Baskets

Please follow the fixing and care instructions to ensure that your wire storage product is fitted safely and that it retains its high quality finish. Please retain this leaflet for future reference.

This installation guide applies to the following products:

**QM260541 Two Tier Cosmetic Basket Rust Resistant Chrome**

**QM263841 Two Tier Corner Basket Rust Resistant Chrome**

### Home Safety Advice

- Do not strike the product with hard or sharp objects.
- Always take care when using an electric drill, particularly in the bathroom. Always check for hidden cables and pipe work before drilling and take extreme care if there is any water in the working area.
- It is advisable to use a residual current circuit breaker (RCCB).
- Always wear suitable eye protection when drilling.
- If the product is to be fitted on a ceramic tiled wall, a ceramic drill bit should be used. Always ensure that the drill hole passes through the central tiled area rather than through the grouted area. To prevent unnecessary damage to the tile, mask the area around the hole with tape before drilling.

### Product Care

- To retain the best quality finish, clean product with a soft cloth and a mild soap solution.
- Do not use abrasive or chemical cleaners as they may damage the protective coating on the surface of the storage baskets.

### Fixing Pack Contents

- 2 x Wall Fixing Screws
- 2 x Wall Plugs
- 2 x Rubber O-Rings

### Tools Required

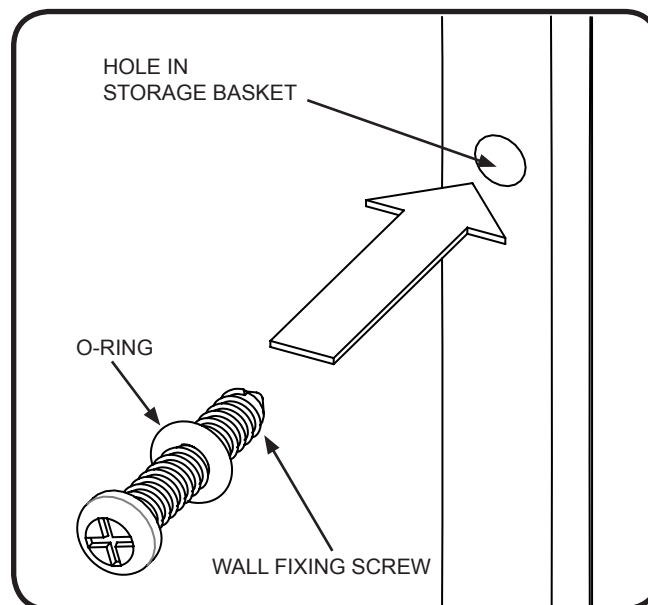
Drill; 6mm masonry drill bit (6mm ceramic drill bit optional); Cross head screwdriver; Pencil; Spirit level.

**KEEP DIY TOOLS OUT OF THE REACH OF CHILDREN**

## Fitting Instructions

1. Select position of the product on the wall and mark through the fixing holes, ensuring that where applicable the product is level.
2. Remove the product. Using a 6mm masonry drill, drill the holes in the marked positions to a depth of 30mm. If drilling through tiles, please pre-drill using a ceramic drill bit.
3. Insert the wall plugs to the surface of the wall. If fitting to a tiled surface, the wall plugs should be inserted below the surface of the tile to avoid cracking.
4. Place an o-ring over each wall fixing screw, this is to prevent the screw head from damaging the rust resistant finish when the product is fitted to the wall. Fig 1.
5. Insert the screw(s) through the holes on the product and screw into the wall plug(s). Do not over tighten as cracking of the tiles could occur.

FIG 1



For details of the other items in the Croydex range please visit our website: [www.croydex.com](http://www.croydex.com)

Croydex Limited, Central Way, Andover, Hampshire, SP10 5AW, UK  
Tel: +44 (0) 1264 365881 Fax: +44 (0) 1264 356437  
E-mail: [info@croydex.co.uk](mailto:info@croydex.co.uk)