

## INSTALLATION GUIDE ELEVATED TOILET SEAT

### IMPORTANT

- Thoroughly inspect all parts and components for damage or defects prior to installation.
- Periodically check the fixings to ensure that they are secure and re-tighten as necessary. Do not use if any fixings are loose. Always check to ensure that the seat is stable before use.

### PARTS LIST



Gaskets x 2



Stabilisers x 2



Threaded rods x 2



Rubber cushions x 2



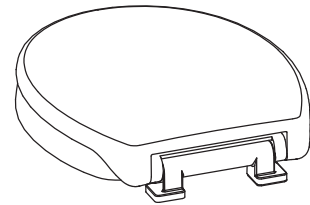
Washers x 2



Key x 1

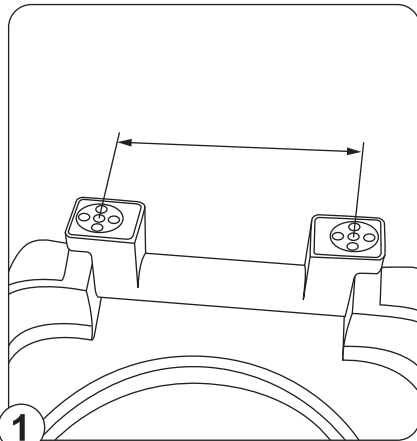


Nuts x 2

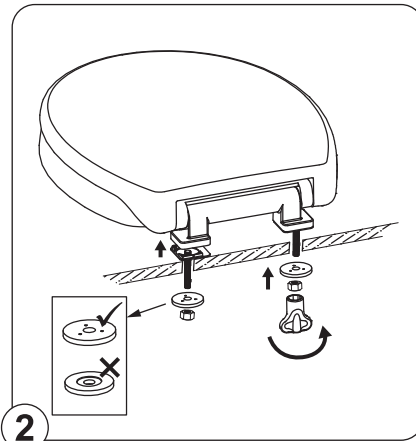


Seat x 1

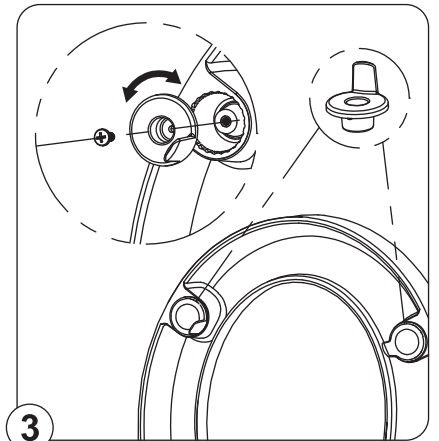
### INSTALLATION



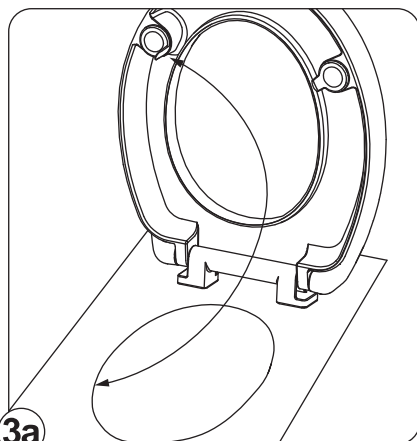
1 Measure the distance between the pan holes as well as the distance from the pan holes to the front of the pan to determine which sockets on the seat to use. Screw the threaded rods into the required sockets.



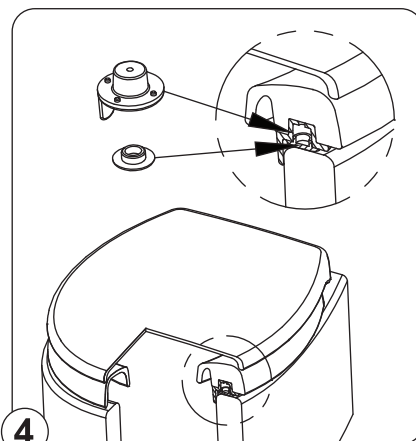
2 Position the seat onto the pan with the gaskets fitted between the seat and pan. Install the washers and nuts and tighten with the included key. Ensure the washers are facing the correct direction, as shown.



3 Insert the stabilisers into the seat and test the position. The stabilisers are designed to minimise lateral movement of the seat and provide stability. Change the angle of the stabilisers to achieve a snug fit against the inside of the toilet pan (see figure 3a). Install the screws.



3a Ensure the stabiliser tabs are as close as possible to the inner rim.



4 Push the rubber cushions into the centre of the stabilisers.

### CARE AND MAINTENANCE

- Clean with a soft cloth and warm soapy water.
- Do not use harsh detergents, corrosive chemicals, or abrasive cleaners.