

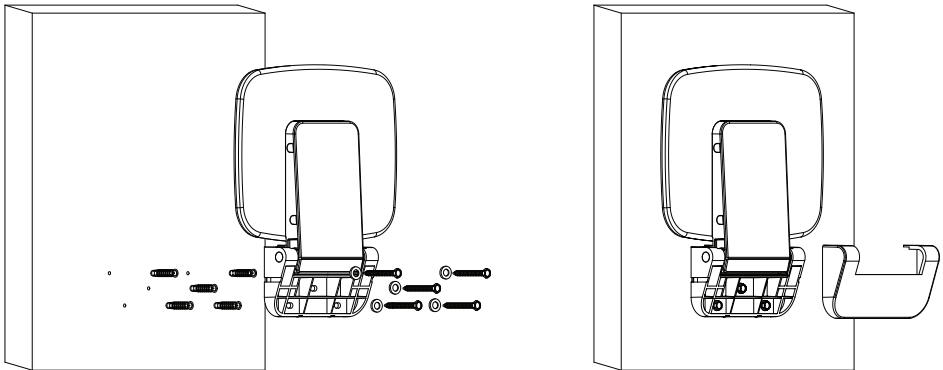
INSTALLATION GUIDE FOLDING SHOWER SEAT

IMPORTANT

- This product must be installed into a solid wall or framing structure capable of supporting the specified weight capacity.
- The included fixings are for use with solid walls only. It is the installer's responsibility to ensure that the correct fixings are used to suit the wall type.

INSTALLATION

1. Unclip the bracket cover to expose the bracket holes.
2. Place the seat against the wall in the desired position and mark the holes for drilling.
3. Using an appropriate drill bit (i.e. masonry bit for tiles), drill holes to suit the wall plugs.
4. Insert wall plugs.
5. Line up the seat with the drilled holes and install the screws. Ensure the washers are positioned between the screw heads and the bracket.
6. Reinstall the bracket cover.



CARE AND MAINTENANCE

- Clean with a soft cloth and warm soapy water.
- Do not use harsh detergents, corrosive chemicals, or abrasive cleaners.