

HOMEBASE

7FT VERSAILLES PREMIUM TREE



INSTRUCTION MANUAL

IMPORTANT: Please read these instructions before using the product and retain for future use
HHGL Limited, MK9 1BA; HHGL (ROI) Limited, D02 X576

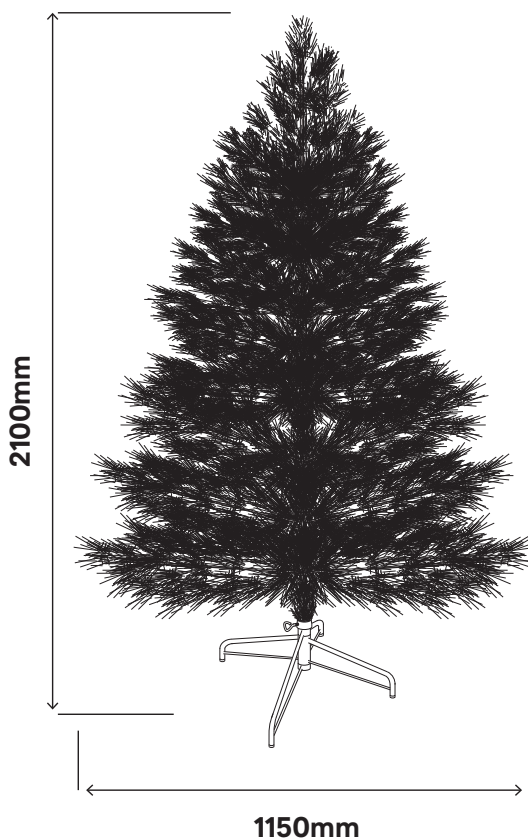
Caution

- This tree is intended for INDOOR USE ONLY.
- Always place the plug into an indoor mains socket.
- This product is intended for Christmas decoration only and is not suitable for household room illumination.
- WARNING: Do not use the product for anything other than its intended use.
- Do not position or place the tree near fire, candles or any other direct sources of heat. Avoid using in damp, wet and humid areas.
- This product is fire retardant. Do not allow the product in direct contact with/near a source of heat or flames, e.g. gas or electric heaters, fireplaces, candles or other similar heat sources.
- Do not cover the product with cloth, paper or any other materials when in use, e.g. curtains, nets or bedding.
- Do not connect the product to the power supply whilst the product is in the packaging.
- The light set is constructed with non-replaceable LED bulbs. DO NOT attempt to replace any of the LED bulbs in the light set.
- Only operate this product with the transformer supplied.
- Do not connect the light set to any other light set by cutting or joining the sets together.
- Unplug the light chain when leaving the house, when retiring for the night, or if unattended.
- Do not secure the wiring with sharp hooks or nails. This can cut or damage the wire insulation.
- The external flexible cable or cord cannot be replaced. If part of the light set or the cable is damaged, the product MUST be destroyed.
- Do not let bulbs rest on the supply cord or any other wire.
- This product is not a toy, it's made from small fibres which may detach and pose a choking hazard. Keep out of reach of children and pets. Please do not leave children unattended near the tree.
- Ensure the tree is stable; place it on a firm and level surface, away from where it may be knocked. Please do not overload with excessively heavy decorations.
- To avoid the risk of fire, burns, personal injury and electric shock, it should not be played with or placed where small children can reach it.
- Please refer to the packaging or product rating label for product class, specifications and rating.

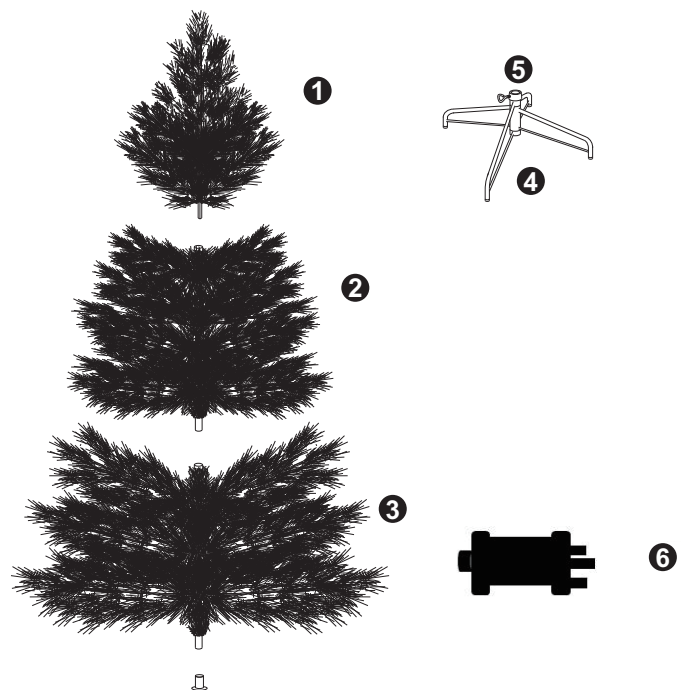
Before you start

1. Please check that all parts are present before you start the assembly of your product, as once assembled, this product is exempt from our money back guarantee. This does not affect your statutory rights.
2. For ease and speed of assembly, we recommend that you identify all the parts required for each step.
3. For larger items, please ensure that you have sufficient space and people to assemble your product safely.
4. We recommend that, where possible, all items are assembled near to the flat area in which they will be placed in use, to avoid moving the product unnecessarily once assembled. Never allow any parts of the tree to come into contact with a source of heat or flames.
5. Please keep plastic bags out of reach of children and animals.
6. Locate your tree on a level surface that will not be damaged by the tree or decorations that could detach.
7. During assembly, please take care not to overtighten any fittings, as this may damage the product.

Assembled dimensions



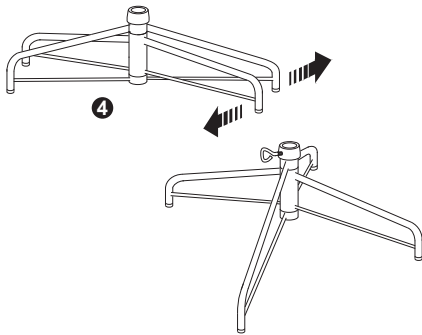
Parts list



No.	Parts list	Qty
1	Top tree section	1
2	Middle tree section	1
3	Bottom tree section	1
4	Metal stand	1
5	Screw	1
6	Transformer	1

Assembly

Step 1

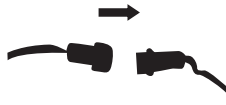


Open up the metal stand (4) and lock in the screw (5).

Fig. A



Find the male and female connections.

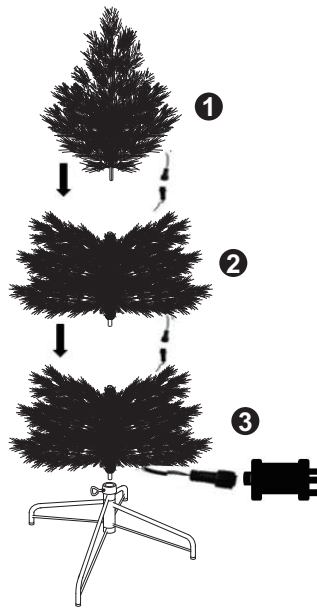


Insert the male connection into the female connection.



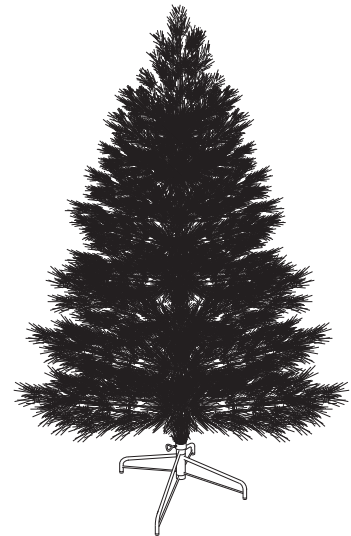
Lock the cap.

Step 2



Insert the bottom tree section (3) into the metal stand (4) first, then tighten the screw (5). Insert the middle and top tree sections (2 & 1). Connect the light chains (see illustration Fig. A) and plug the transformer (6) into the wall socket.

Step 3



Assembly complete

To shape your tree, pull down the tree tips and adjust the branches to fill any gaps.

8 lighting functions

- Combination
- Waves
- Sequential
- Slow glow
- Chasing/flash
- Slow fade
- Twinkle/flash
- Steady on

Care and use

1. Before using or re-using the tree, inspect the product carefully. If there are any damaged parts or exposed sharp points, please dispose of the tree.
2. Do not dip in water.
3. Do not use solvent to clean.

Disassembly and storage

Before storage, please repack the product as follows, to avoid damage:

1. Unplug the transformer from the mains socket and remove all decorations from the tree.
2. Unplug the light strings from the transformer.
3. Gently lift off each section of the tree.
4. Carefully place the tree in its box and tape it shut.
5. STORE THE PRODUCT IN A COOL AND DRY LOCATION, AWAY FROM SUNLIGHT AND WHERE THE TEMPERATURE DOES NOT EXCEED 40°C.

Disposal and recycling



Electrical products are labelled with the wheeled bin symbol to indicate that they are to be collected and recycled at end of life. Users of electrical products should not dispose of them as unsorted municipal waste but use the separate collection facilities available. Check with your local authority for recycling advice. Customer participation is encouraged to minimise any potential effects on the environment and human health, from the potential presence of hazardous substances.