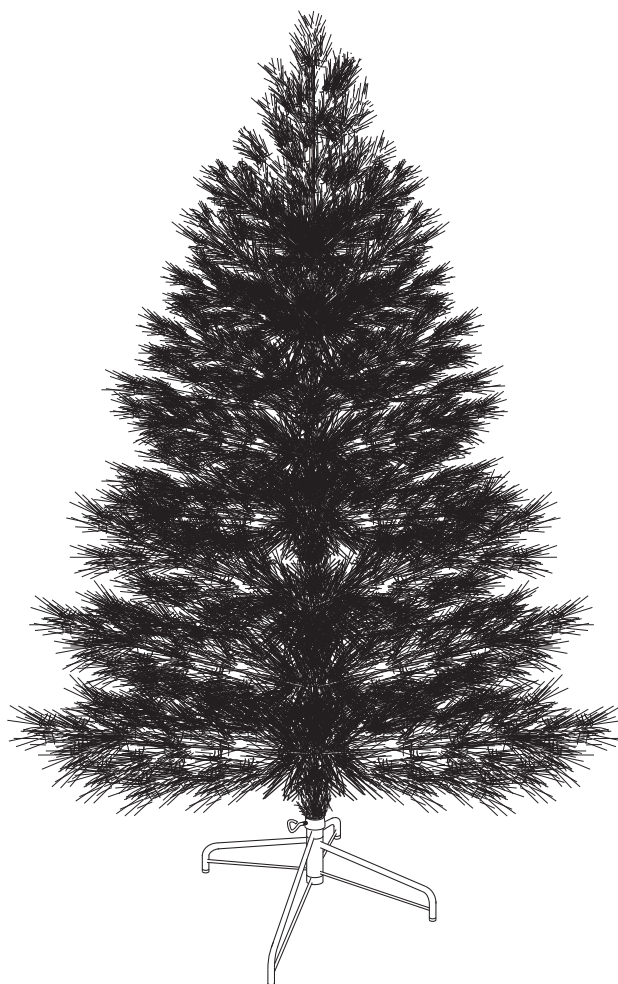


HOMEBASE

7FT GREEN CASHMERE ARTIFICIAL TREE



INSTRUCTION MANUAL

IMPORTANT: Please read these instructions before using the product and retain for future use.

HHGL Limited, MK9 1BA; HHGL (RO) Limited, D02 X576

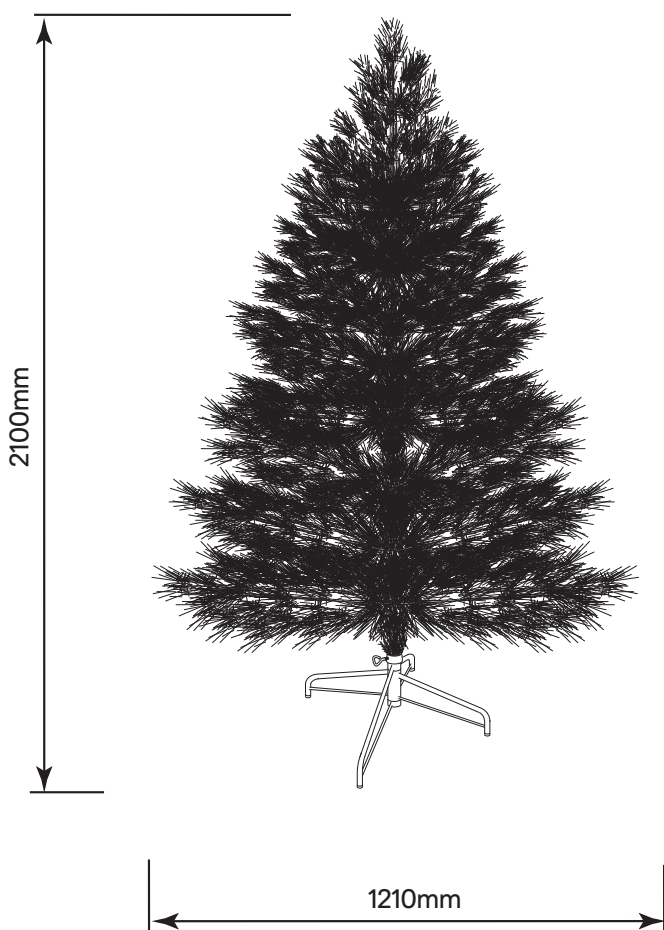
Caution

- This tree is intended for INDOOR USE ONLY.
- Do not position or place the tree near fire, candles, or any other direct sources of heat. Avoid using in damp, wet and humid areas. Do not position your tree where it is a hazard to the elderly, children or pets. Take particular care with electric cables.
- This product is for decoration purposes only. Trees have small parts which may pose a choking hazard if detached from the branches. Not to be used by children as a toy. Keep out of reach of children and pets.
- Please check all fittings and re-tighten on a weekly basis, or as necessary.
- When you have finished using the tree, carefully re-pack following the instructions to ensure the tree remains in a good condition to be re-used. Make sure the storage area is dry, avoid any damp, wet and humid areas.
- Retain assembly instructions for future use.

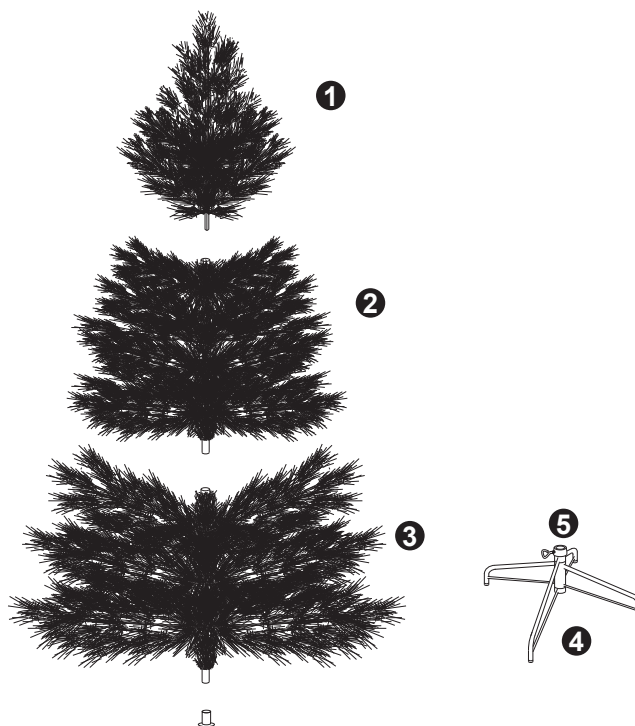
Before you start

1. Please check that all parts are present before you start the assembly of your product, as once assembled, this product is exempt from our money back guarantee. This does not affect your statutory rights.
2. For ease and speed of assembly, we recommend that you identify all the parts required for each step.
3. For larger items, please ensure that you have sufficient space and people to assemble your product safely.
4. We recommend that, where possible, all items are assembled near to the flat area in which they will be placed in use, to avoid moving the product unnecessarily once assembled. Never allow any part of the set to come into contact with a source of heat or flames.
5. Please keep plastic bags out of reach of children and animals.
6. Locate your tree on a level surface that will not be damaged by the tree or decorations that could detach.
7. During assembly, please take care not to overtighten any fittings, as this may damage the product.

Assembled dimensions



Parts list



No.	Part list	Qty
(1)	Top section of tree	1
(2)	Middle section of tree	1
(3)	Bottom section of tree	1
(4)	Stand	1
(5)	Screw	1

Assembly

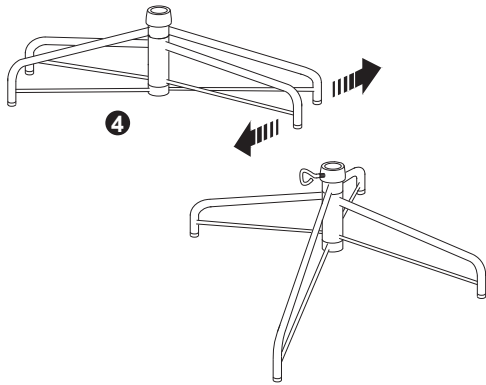


Fig. 1

1. Open up the metal base and lock the screw.

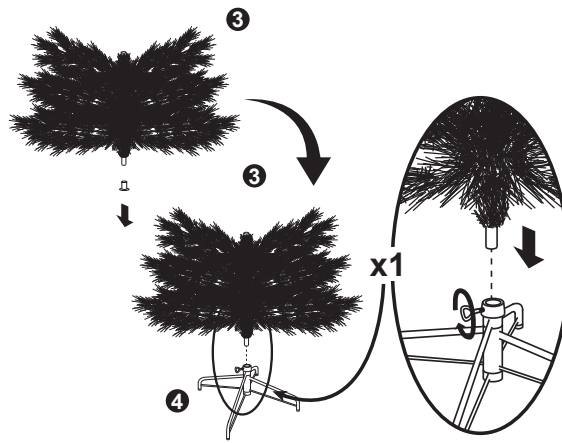


Fig. 2

2. Insert the bottom section of the tree into the stand first, then tighten the bolt. Insert the final two sections.

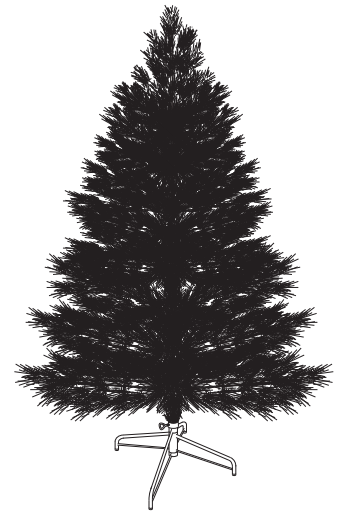


Fig. 3

3. To shape your tree, pull down the tree tips and adjust the branches to fill any gaps.

Care and use

Before using or re-using the tree, inspect the product carefully. If there are any damaged parts or exposed sharp points, please dispose of the tree.

Disassembly and storage

Before storage, please repack the product as follows, to avoid damage:

1. Gently lift off each section of the tree.
2. Carefully place the tree in its box and tape it shut. STORE THE PRODUCT IN A COOL AND DRY LOCATION, AWAY FROM SUNLIGHT AND WHERE THE TEMPERATURE DOES NOT EXCEED 40°C.