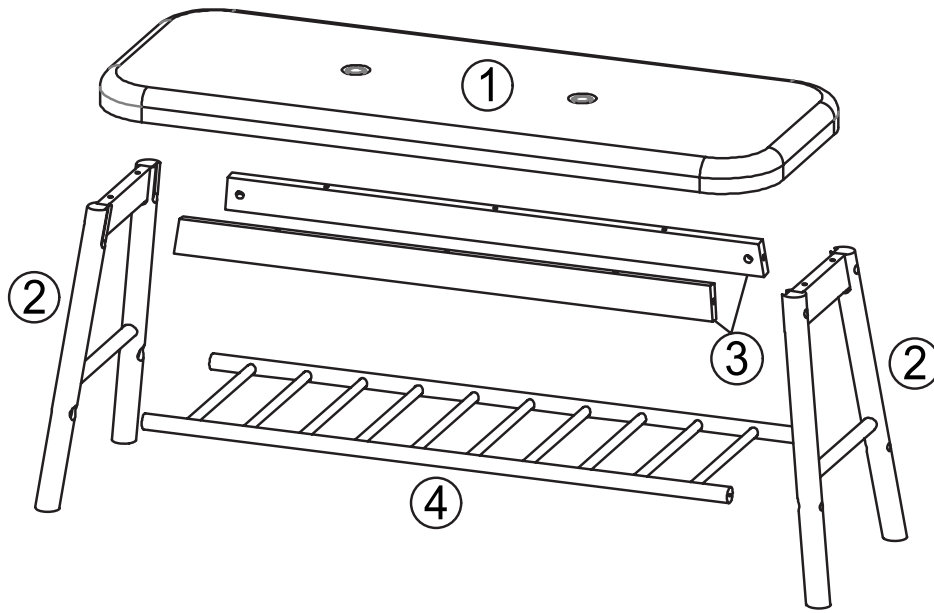


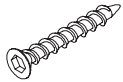
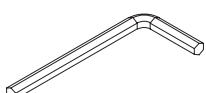




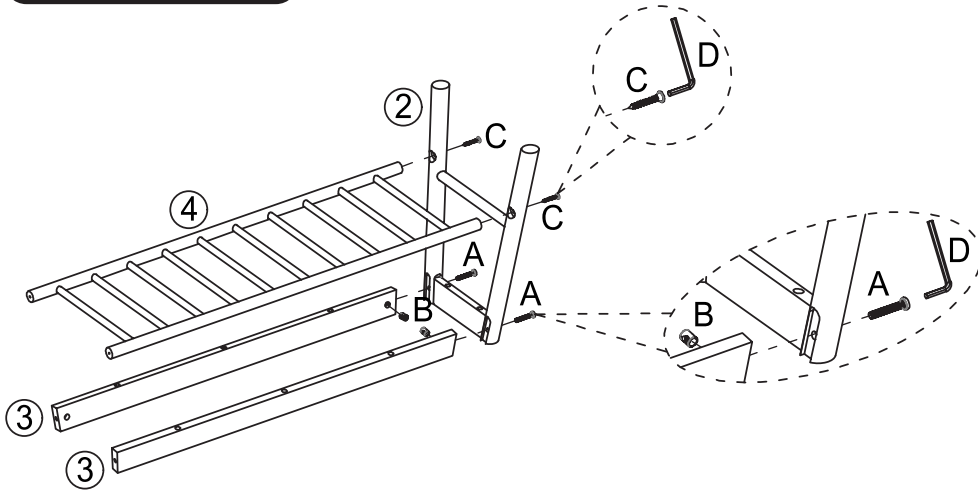
ELEMENTS



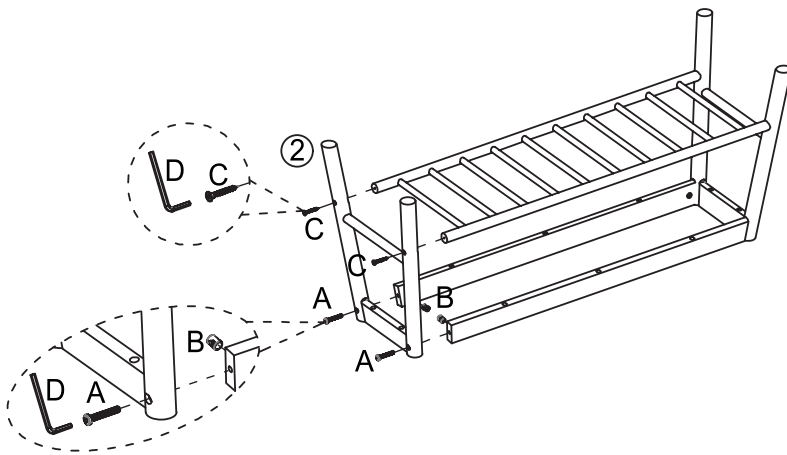
HARDWARE

<p>A</p>  <p>x4</p>	<p>B</p>  <p>x4</p>	<p>C</p>  <p>x4</p>
<p>D</p>  <p>x1</p>	<p>E</p>  <p>x10</p>	<p>F</p>  <p>x4</p>

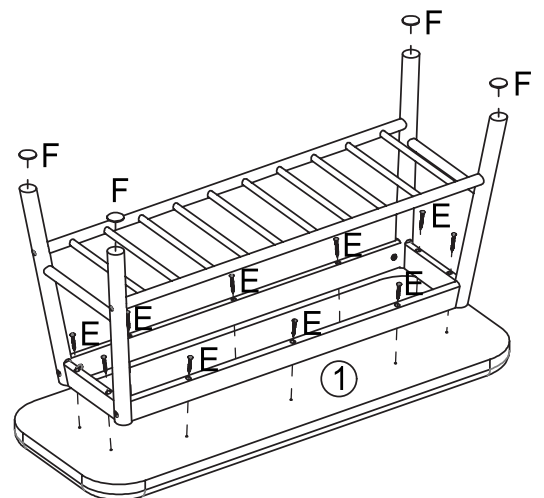
STEP 1



STEP 2



STEP 3



MANUFACTURED BY: SFN LIMITED
Arcadia House, Maritime Walk,
Southampton S014 3TL, United Kingdom