

SOVEREIGN

EASY GARDENING

18V LI-ION CORDLESS GRASS TRIMMER

Article No. 555374

Model No. ASYEGT01240



ORIGINAL INSTRUCTION MANUAL



Technical Support & Parts

01904 727509

Mon-Fri 9am-5pm Sat-Sun 11am-4pm
www.coreservice.co.uk

Please read these instructions fully before starting assembly.

HHGL Limited, MK9 1BA; HHGL (ROI) Limited, D02 X576

July 21

CONTENTS

General safety warnings	3
Intended use	11
Warning symbols	12
In the box	15
Assembly	16
Operating the grass trimmer	21
Maintenance and storage	24
Troubleshooting	26
Technical data	27
Recycling and disposal	29
Getting help	29
Warranty	30

GENERAL SAFETY WARNINGS

Safety warnings



WARNING! Read all safety warnings and instructions.

Failure to follow the warnings and instructions may result in electric shock, fire and/or serious injury.



WARNING! Read all safety warnings and instructions designated by the  symbol. Save all warnings and instructions for future reference.

- Always ensure anyone intending to operate this grass trimmer is fully conversant with the contents of this assembly manual prior to assembling, maintaining or operating the grass trimmer.
- Perform assembly operations as described in this manual. Failure to observe this warning may lead to serious injury, death, or damage to the grass trimmer.
- Always take care when removing the packaging, to prevent damage to you or to the grass trimmer.

IMPORTANT! Before assembling the grass trimmer, check all the parts indicated in the manual are in the box. Inspect all the parts for signs of damage. Do not assemble the grass trimmer if you observe any damaged components.

General power tool safety warnings

- **Read the instructions carefully.** Be familiar with the controls and the correct use of the grass trimmer. Read and understand the operator's manual and observe the warnings and instruction labels affixed to the grass trimmer.
- Never allow children or people unfamiliar with these instructions to use the grass trimmer. Local regulations may restrict the age of the operator. Never operate the tool under the influence of alcohol, medication or drugs.
- **Use tool appropriately.** This tool is only intended for trimming grass outdoors and only designated for use on private property. Do not force small tools or attachments to do the job of a heavy-duty tool.

Work area safety

- **Keep work areas clean.** Cluttered areas can cause accidents.
- **Consider work area environment.** Do not expose the tool to high humidity or rain. Do not use the tool in damp and wet conditions. Keep the work area well lit. Do not use the tool where there is a risk of causing fire or an explosion, e.g. in the presence of flammable liquids and gases.
- **Keep all bystanders, children and pets away.** Never operate the grass trimmer while people, especially children, or pets are nearby.

Personal safety

- Wear eye protection, long trousers and stout shoes at all times while operating the machine.
- Avoid using the machine in bad weather conditions especially when there is a risk of lightning.
- Use the machine only in daylight or good artificial light.
- Never operate the machine with damaged guards or shields or without guards or shields in place.
- Only switch on the motor once you are safe to do so. Ensure hands and feet are away from cutting means.
- Always disconnect the grass trimmer from the power supply (e.g. remove the battery pack from the machine) in the following situations:
 - 1) whenever the grass trimmer is left unattended;
 - 2) before clearing a blockage;
 - 3) before checking, cleaning or working on the grass trimmer;
 - 4) after striking a foreign object;
 - 5) whenever the grass trimmer starts vibrating abnormally.
- Take care against injury to feet and hands from the cutting means.
- Always ensure that the ventilation openings are kept clear of debris.

- i) Never fit metal cutting elements.
- j) Always be sure of your footing on slopes.
- k) Walk, never run.
- l) Do not overreach and ensure you keep your balance at all times.
- m) Do not touch moving hazardous parts before removing the battery pack from the grass trimmer and waiting for moving parts to come to a complete stop.

- **Disconnect the battery.** Disconnect the battery from the grass trimmer when not in use, or when servicing or cleaning.
- **Check for damaged parts.** Before each use, carefully check the tool for damage. Check for alignment of moving parts, binding of moving parts, breakage of parts, mounting, and any other condition that may affect its operation. Do not use the grass trimmer if any parts are damaged or defective. Ensure any damaged or defective parts are repaired or replaced by an authorised service agent. Never attempt any repairs yourself.
- **Store idle tools.** When not in use, tools should be stored in a dry, secure place, out of the reach of children.
- **Maintain tools with care.** Keep tools clean and in good condition for better and safer performance. Follow the instructions for maintenance and changing accessories. Keep handles and switches dry, clean and free from oil and grease.

- **Have your tool repaired by an authorised service agent.** This tool is manufactured in accordance with the relevant safety regulations. To avoid danger, battery-operated appliances must only be repaired by qualified technicians.



WARNING!

The use of attachments or accessories, not recommended by the manufacturer of this tool, can result in serious personal injury.

Additional safety instructions for batteries and chargers

Batteries

- Never attempt to open or shred the unit for any reason.
- Do not expose the battery pack to water, heat or fire. Avoid storage in direct sunlight.
- Do not incinerate the battery pack, even if it is severely damaged or is completely worn out; the battery pack can explode in a fire.
- Do not subject the battery pack to mechanical shock.
- Do not store in locations where the temperature may exceed 40°C.
- Do not leave the battery pack in the charger when charging is finished, otherwise battery leakage may occur.
- Charge only at room temperature.

- Charge only by using the charger provided with the tool (see technical data).
- Before charging, make sure that the battery is dry and clean.
- Wipe the battery pack with a clean, dry cloth if it becomes dirty.
- Use only the correct type of battery for the tool (see technical data).
- Only dispose of electrical or battery items in appropriate collection schemes.
- Under extreme conditions, battery leakage may occur. When you notice liquid on the battery, proceed as follows:
 - Carefully wipe the liquid off using a cloth.
 - Avoid skin contact.
 - Dispose of the battery in an environmentally-friendly manner.
- In case of skin or eye contact, follow the instructions below:
 - The battery fluid, a 25-30% solution of potassium hydroxide, can be harmful. In case of skin contact, immediately rinse with water. Neutralise with a mild acid, such as lemon juice or vinegar. In case of eye contact, rinse thoroughly with clean water for at least 10 minutes. Consult a physician.
- Do not short-circuit a battery pack. Do not store battery packs haphazardly in a box or drawer where they may short-circuit each other, or be

short-circuited by conductive materials. When the battery pack is not in use, keep it away from other metal objects, like paper clips, coins, keys, nails, screws or other small metal objects, that can make a connection from one terminal to another. Shorting the battery terminals together may cause burns or a fire.

- Keep the battery pack out of the reach of children.
- Remove the battery from the equipment when not in use.



WARNING!

The batteries in your battery pack are the lithium-ion type. Do not dispose of battery packs/batteries into household waste, fire or water. Battery packs/batteries should be collected, recycled or disposed of in an environmentally-friendly manner.

Chargers

- This grass trimmer can be used by children aged from 8 years and above and persons with reduced physical, sensory or mental capabilities or lack of experience and knowledge, if they have been given supervision or instruction concerning use of the appliance in a safe way, and understand the hazards involved.
- Children should not play with the grass trimmer. Cleaning and user maintenance should not be carried by children without supervision.
- If the supply cord is damaged, it must be replaced by the manufacturer, its service agent or similarly

qualified persons in order to avoid a hazard.

- Disconnect the charger from the power supply and allow it to cool down before cleaning, maintenance, storage or transportation.
- Before using the charger, read all the instructions and cautionary markings on the charger.
- The charger and battery pack supplied with this tool are specially designed to work together. Only use the charger with the battery pack for this tool.
- Charge the battery pack indoors only as the charger is designed for indoor use only.
- Do not charge non-rechargeable batteries.
- Protect the charger against moisture and wet conditions.
- There is a danger of electric shock.
- Do not place any object on top of the charger as it could cause overheating. Do not place the charger near any heat source.
- Do not use an extension cord unless it is absolutely necessary. The use of an improper extension cord could cause the risk of fire, electric shock or electrocution.
- Do not use the charger if it has been subjected to a heavy knock, dropped or otherwise damaged in any way. Have the charger checked and repaired by an authorised service centre.

- When charging batteries, ensure that the battery charger is in a well-ventilated area and away from flammable materials. Batteries can get hot during charging. Do not overcharge any batteries. Ensure that batteries and chargers are not left unsupervised during charging.

INTENDED USE

This Li-ion grass trimmer has been designed for cutting weeds, grass or similar soft vegetation, in hard to reach areas, within private and hobby gardens. It should only be used for its prescribed purpose, and any other use is deemed to be a case of misuse.

PLEASE NOTE: Our equipment has not been designed for use in commercial, trade or industrial applications. Our warranty will be void if the mower is used in commercial, trade or industrial applications or for an equivalent purpose.

Important! This tool must not be used for composting purposes (shredding), as this could result in injury or damage to property.

WARNING SYMBOLS



Warning! Read operator's manual.



Conforms to all relevant safety standards.



The product complies with the applicable UK Directives, and an evaluation method of conformity for these directives was done.



Wear ear protection.



Wear eye protection.



Keep bystanders away.



Disconnect the battery pack before any adjustments, repair or maintenance.



Do not expose to rain.



Guaranteed sound power level data (90dB), in accordance with Directive 2000/14/EC.

Warning symbols on the charger



Before use, carefully read through the user manual.



For indoor use only.



Class II equipment.



Pole orientation.



Waste electrical products should not be disposed of with household waste. Please recycle where facilities exist. Check with your local authority or store for recycling advice.



Conforms to all relevant safety standards.



The product complies with the applicable UK Directives, and an evaluation method of conformity for these directives was done.

Warning Symbols on the Battery



Do not dispose of batteries in rivers or immerse in water.



Do not subject the battery to strong sunlight over long periods and do not leave it on a heater (max. 45°C).



Do not dispose of batteries in a fire. They will explode and cause injury.



Contains Li-ion battery. All batteries must be recycled or disposed of properly.



Do not dispose of batteries in household waste. Return exhausted batteries to your local collection or recycling point.



Conforms to all relevant safety standards.

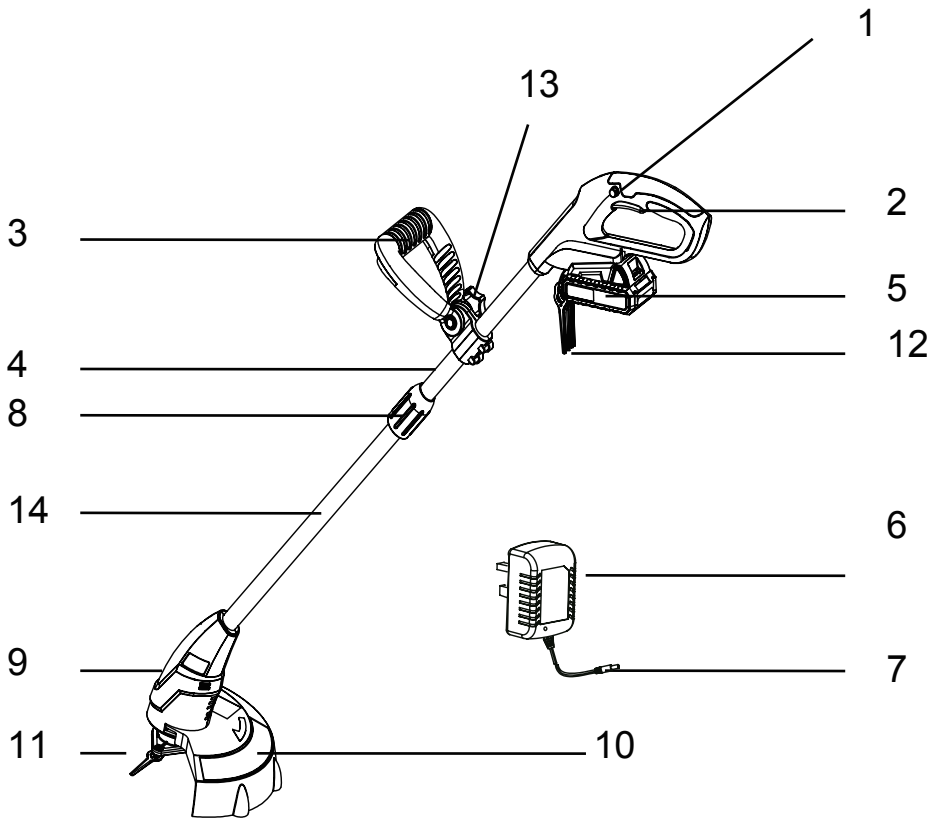


The product complies with the applicable UK Directives, and an evaluation method of conformity for these directives was done.

IN THE BOX

Parts

- | | |
|-----------------------|-------------------------|
| 1. Safety switch lock | 8. Connecting knob |
| 2. Main switch | 9. Motor housing |
| 3. Front handle | 10. Protection guard |
| 4. Upper tube | 11. Cutting blade |
| 5. Battery pack | 12. Spare cutting blade |
| 6. Charger | 13. Knob |
| 7. Charger plug | 14. Lower tube |



ASSEMBLY



WARNING!

Before using the tool, read all instructions carefully.

Charging the battery



WARNING!

The charger and battery pack are specifically designed to work together so do not attempt to use any other devices. Never insert or allow metallic objects into your charger or battery pack connections because an electrical failure and hazard will occur.

The battery needs to be charged before first use and whenever it fails to produce sufficient power on jobs that were easily done before.



WARNING! NEVER LEAVE THE BATTERY AND CHARGER UNATTENDED WHEN CHARGING THE BATTERY.

This product comes with a lithium-ion battery pack. Lithium-ion batteries don't lose charge when not in use, and don't lose charging capacity over time. Nevertheless, it is best practice to charge the battery when empty or insufficient to do the job.

Charging procedure

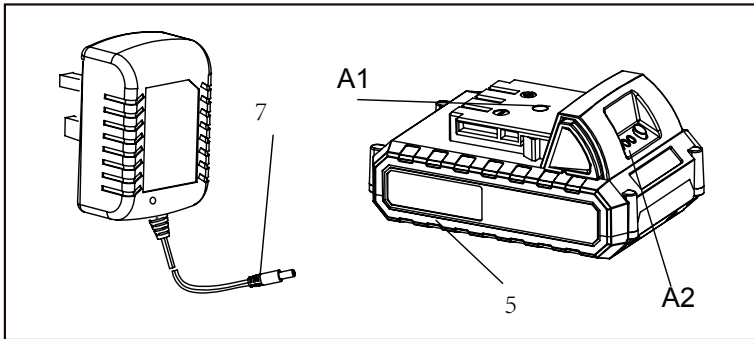


WARNING!

The battery cannot be charged immediately after use, it should cool off for a period of time.

1. Plug the charger into an appropriate AC power socket.
2. Insert the charger plug (7) into the charging hole (A1) in the battery pack (5), make sure the plug is fully in position. The LED (A2) lights on the battery pack flash to tell you that the battery pack is on charge.

3. The battery pack will be fully charged in 4-5 hours. The three LED (A2) lights all turn green to tell you that the battery pack is fully charged.



Important charging notes

Longest life and best performance can be obtained if the battery pack is charged when the air temperature is between 18-24°C. Do not charge the battery pack in a very low or very high air temperature. This is important and will prevent serious damage to the battery pack.

1. When using your tool continuously, the batteries in your battery pack will become hot. You should let a hot battery pack cool down for approximately 30 minutes before attempting to recharge.
2. The charger and battery pack may become warm to touch while charging. This is a normal condition and does not indicate a problem.
3. Use the charger in normal room temperatures whenever possible. To prevent overheating, do not cover the charger and do not charge battery packs in direct sunlight or near heat sources.
4. If the battery pack does not charge properly:
 - Check the main socket by plugging in a lamp or other appliance.

- Move the charger and battery pack to a location where the surrounding air temperature is approximately 18-24°C.
 - If charging problems persist, take or send the tool, battery pack and charger to your local service centre.
5. The battery pack should be recharged when it fails to produce sufficient power on jobs which were easily done previously. DO NOT CONTINUE to use under these conditions. Follow the charging procedure. You may also charge a partially used pack whenever you desire with no adverse effect on the battery pack.
 6. Under certain conditions, with the charger plugged in to the power supply, the exposed charging contacts inside the charger can be shorted by foreign material. Foreign materials of a conductive nature, such as, but not limited to, steel wool, aluminium foil, or any build-up of metallic particles, should be kept away from charger cavities. Always unplug the charger from the power supply when there is no battery pack in the cavity. Unplug the charger before attempting to clean it.
 7. Do not immerse the charger in water or any other liquid.



WARNING!

Don't allow any liquid to get inside the charger; electric shocks may result. To facilitate the cooling of the battery pack after use, avoid placing the charger or battery pack in a warm environment, such as in a metal shed, or an un-insulated trailer.

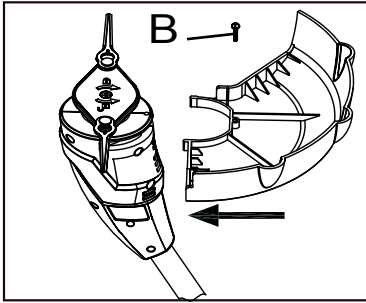


WARNING!

Never attempt to open the battery pack for any reason. If the plastic housing of the battery pack breaks or cracks, return to a service centre for recycling; do not put it into further use.

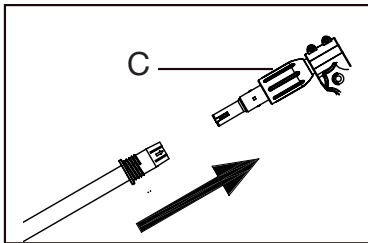
Install the guard

1. Remove one screw from the motor housing.
2. Slide the guard over the motor housing.
3. Re-insert the screw into the guard and tighten.



Connect the upper tube and lower tube

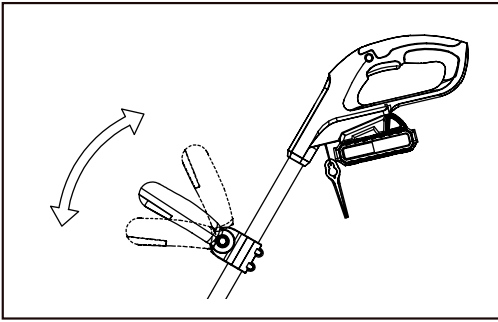
1. Align the arrow in the upper tube and lower tube, plug the lower tube into the upper tube.
2. Tighten the knob (C) to make sure it is tight.



Handle adjustment

Adjust the angle of the auxiliary handle to ease operation and prevent loss of control.

1. Loosen the knob and move the handle up or downward.
2. Tighten the knob to secure the auxiliary handle in the adjusted position.



Remove or install the battery pack

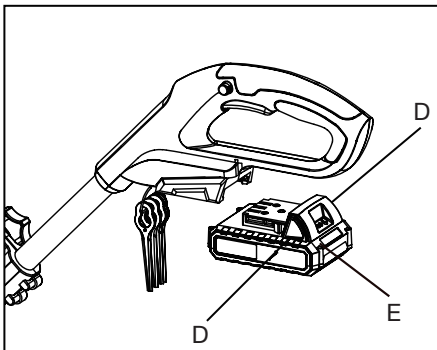


WARNING!

Always release the on/off trigger before insertion or removal of the battery pack.

Remove the battery pack. Depress the button (D) on the two sides of the battery pack, and then remove the pack (E) from the tool.

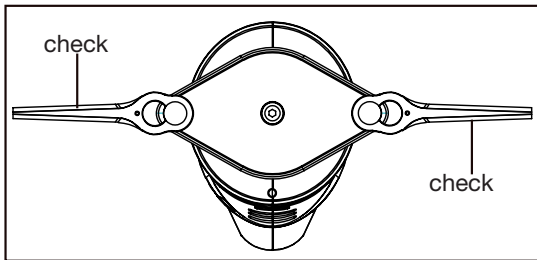
Install the battery pack. Align the ribs on both sides of the battery pack with the slots in the housing, and slip it into place. Always insert it all the way until it locks in place with a click sound. If not, it may accidentally fall out of the tool, causing injury to you or someone around you.



OPERATING THE GRASS TRIMMER

Preparing

1. Before each use, check if the cutting blade is worn. If it is badly worn, please replace the blade.
2. Take off the battery pack.
3. Take off the worn cutting blade.
4. Install the new cutting blade.



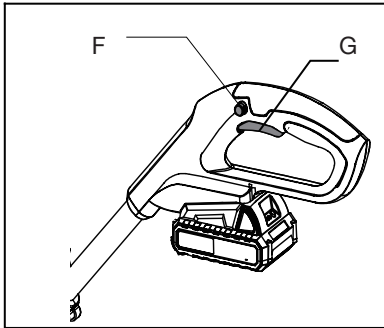
WARNING!

Remove the battery pack from the tool before making the check or replacing the cutting blade.

Switch on/off

Switching the trimmer ON:

Push the safety lock-off button (F), then press the trigger (G) on the handle.



Switching the trimmer OFF:

Release the trigger (G) on the handle.

Cutting guide



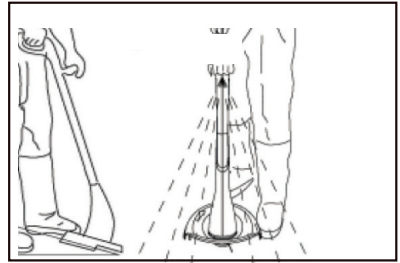
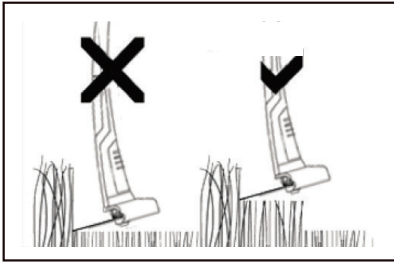
WARNING!

Always wear eye protection. Never lean over the trimmer head. Stones or debris can bounce or be thrown into the eyes and face, and cause blindness or other serious injury.

When operating the unit:

- Hold the front handle with one hand and auxiliary handles with the other hand.
- Keep the unit below waist level. Work only from your right to your left, to ensure debris is thrown away from you.
- The guard should face you, protecting you from debris.
- Do not switch the machine on with the cutting head on, or near material to be cut.

- Ensure the cutting blade is at full speed before contacting the grass.
- Use the trimmer at an angle of approximately 15° to the working area.
- In a controlled manner, swing the trimmer head from side to side.
- If the grass is very long, cut it in stages rather than trying to cut it all in one go. Do not overload your trimmer; take small cuts, this will keep the machine operating at high speed and improve the cutting efficiency.



MAINTENANCE AND STORAGE

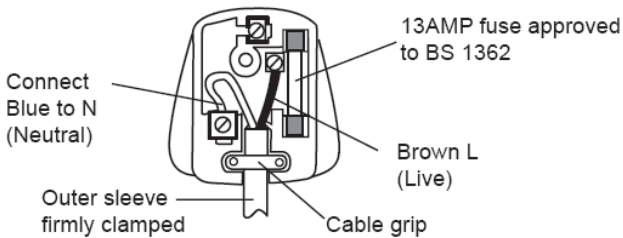
UK Plug

If you need to replace the fitted plug, then follow the instructions below.

IMPORTANT: The wires in the mains lead are coloured in accordance with the following code:

Blue – Neutral, Brown – Live

As the colours of the wire in the mains lead of this product may not correspond with the coloured markings identifying the terminals in your plug, proceed as follows: The blue wire must be connected to the terminal marked N or coloured black. The brown wire must be connected to the terminal marked L or coloured red.



WARNING!

Never connect live or neutral wires to the earth terminal of the plug.

Only fit an approved 13 Amp BS 1363 or BS 1363/A plug and the correctly rated fuse. If in doubt, consult a qualified electrician.

Replace the cutting blades



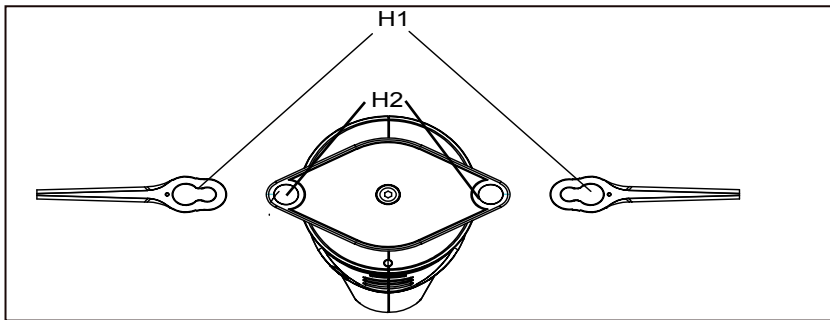
WARNING!

Before replacing the cutting blades, always switch off the machine and take off the battery pack!



RISK OF INJURY! Cutting elements continue to rotate after the motor is switched OFF. Do not try to stop the cutting device (nylon blade) with your hands. Always let it come to a stop by itself.

Remove the worn blade from the trimmer. To do so, hold the rotating plate firmly, place the blade on the holder (H2) through the big hole (H1). Then pull the blade outwards to fix it.



Cleaning and storage

1. To clean the tool, remove the battery pack and use only mild soap and a damp cloth to wipe clean. Do not immerse the tool in water or spray it with a hose. Do not allow any liquid to get inside it. Do not clean with a pressure washer.

TROUBLESHOOTING

Although your new cordless grass trimmer is really easy to operate, check the following if you experience problems.

Fault/malfunction	Remedy
Tool runs slowly	Check that the blade plate can rotate freely.
	Carefully clean it if necessary.
If the trimmer is not cutting properly	Check the condition of the cutting blade and blade plate, if the blade is worn out, change it. Do not use a damaged cutting blade.
If the trimmer will not operate	Check the battery pack assembly.
	Charge the battery: operation of the grass trimmer is dependent upon sufficient charge in the battery pack.
If the battery will not charge	Check to see if the charger plug is properly inserted into the battery pack, and make sure the indicator light is on. If not, check the power supply to the socket used for the charger plug.

If a fault is suspected, return the trimmer to an authorised dealer for repair.

TECHNICAL DATA

Model no.	ASYEGT01240
Voltage	18V d.c.
Battery type	Lithium-ion
No load speed	8500/min
Cutting width	24cm
Battery pack	
Model	ZDBP18012001
Battery type	Lithium-ion
Battery capacity	2.0Ah
Charging time	Approx. 4 hours
Charger	
Model	XZ2200-0500WB
Input of charger	100-240VAC 50-60Hz 0.3A
Output of charger	22V d.c. 0.5A
Protection class	□ / II

Noise and vibration data

A weighted sound pressure 77.8dB(A) K_{PA} : 3dB(A)

A weighted sound power 86.6dB(A) K_{WA} : 2.04dB(A)

The guaranteed sound power level: 90dB(A)

Wear ear protection

Typical weighted vibration 1.21m/s² K=1.5m/s²



WARNING!

The sound values have been determined according to the noise test code given in EN50636-2-91, using the basic standards EN ISO 11201 and EN ISO 3744.

The sound intensity level for the operator may exceed 80dB(A) and ear protection measures are necessary.

The declared vibration value (according to EN 786) has been measured in accordance with a standard test method, and may be used for comparing one product with another. The declared vibration value may also be used in a preliminary assessment of exposure.

Depending on the actual use of the product, the vibration values can differ from the declared total. Adopt proper measures to protect yourself against vibration exposures. Take the whole work process into consideration, including times the product is running under no load or switched off.

WARNING! This tool may cause Hand-Arm Vibration Syndrome (HAVS) if its use is not adequately monitored and managed.

Preventative measures include, among others, regular maintenance and care of the product and cutting attachments, keeping hands warm and periodical breaks, as well as proper planning of work processes.

RECYCLING AND DISPOSAL

Waste battery-operated products should not be disposed with household waste. Please recycle where facilities exist.

Check with your local authority or store for recycling advice.

GETTING HELP

Our dedicated UK-based customer helpline is open 7 days a week to assist you with assembly, parts queries and technical support. We are open during office hours but you can always send an email via **support@coreservice.co.uk**. Our experts are here to get you back enjoying your garden in no time.

For useful assembly, starting and maintenance videos, and for ordering spares, please visit **www.coreservice.co.uk**.

Using our service does not affect your statutory rights.

WARRANTY

This product is covered by a 1 year warranty.

The warranty covers any manufacturing defect in materials, workmanship and finish.

Any claim under this warranty must be made by going to your nearest Homebase store, taking your proof of purchase with you, and claims must be made within 1 year of the date of purchase.

We will offer you a free repair of the item where this is possible, or a replacement or a refund. Your statutory rights remain unaffected, in particular any rights you may have under the Consumer Rights Act 2015.

This warranty is given by HHGL Limited, MK9 1BA; HHGL (ROI) Limited, D02 X576.

Please note: This warranty does not apply to products misused or neglected and only covers domestic use. It does not apply to commercial use of the product.