

SOVEREIGN

EASY GARDENING

18V CORDLESS HEDGE TRIMMER

Article No. 555375

Model No. ASYEHT01450



ORIGINAL INSTRUCTION MANUAL

Please read these instructions fully before starting assembly.

HHGL Limited, MK9 1BA; HHGL (ROI) Limited, D02 X576

July 21



Technical Support & Parts

01904 727509

Mon-Fri 9am-5pm Sat-Sun 11am-4pm
www.coreservice.co.uk

CONTENTS

General safety warnings	3
Intended use	12
Warning symbols	12
In the box	15
Assembly	16
Operating the hedge trimmer	20
Maintenance and storage	22
Troubleshooting	24
Technical data	25
Recycling and disposal	27
Getting help	27
Warranty	28

GENERAL SAFETY WARNINGS

Safety warnings



WARNING! Read all safety warnings and instructions.

Failure to follow the warnings and instructions may result in electric shock, fire and/or serious injury.



WARNING! Read all safety warnings and instructions designated by the  symbol. Save all warnings and instructions for future reference.

- The term 'power tool' in the warnings refers to your mains-operated (corded) power tool or battery-operated (cordless) power tool.
- Always ensure anyone intending to operate this hedge trimmer is fully conversant with the contents of this assembly manual prior to assembling, maintaining or operating the hedge trimmer.
- Perform assembly operations as described in this manual. Failure to observe this warning may lead to serious injury, death, or damage to the hedge trimmer.
- Always take care when removing the packaging, to prevent damage to you or to the hedge trimmer.

IMPORTANT! Before assembling the hedge trimmer, check all the parts indicated in the manual are in the box. Inspect all the parts for signs of damage. Do not assemble the hedge trimmer if you observe any damaged components.

Work area safety

- Keep work area clean and well lit. Cluttered or dark areas invite accidents.
- Do not operate power tools in explosive atmospheres, such as in the presence of flammable liquids, gases or dust. Power tools create sparks which may ignite the dust or fumes.
- Keep children and bystanders away while operating a power tool. Distractions can cause you to lose control.

Personal safety

- Stay alert, watch what you are doing and use common sense when operating a power tool. Do not use a power tool while you are tired or under the influence of drugs, alcohol or medication. A moment of inattention while operating power tools may result in serious personal injury.
- Use personal protective equipment. Always wear eye protection. Protective equipment such as dust mask, non-skid safety shoes, hard hat, or hearing protection used for appropriate conditions will reduce personal injuries.
- Prevent unintentional starting. Ensure the switch is in the off-position before connecting to power source and/or battery pack, picking up or carrying the tool. Carrying power tools with your finger on the switch or energising power tools that have the switch on invites accidents.
- Do not overreach. Keep proper footing and

balance at all times. This enables better control of the power tool in unexpected situations.

- Dress properly. Do not wear loose clothing or jewellery. Keep your hair, clothing and gloves away from moving parts. Loose clothes, jewellery or long hair can be caught in moving parts.
- If devices are provided for the connection of dust extraction and collection facilities, ensure these are connected and properly used. Use of dust collection can reduce dust-related hazards.

Power tool use and care

- Do not force the power tool. Use the correct power tool for your application. The correct power tool will do the job better and safer at the rate for which it was designed.
- Do not use the power tool if the switch does not turn it on and off. Any power tool that cannot be controlled with the switch is dangerous and must be repaired.
- Remove the battery pack from the power tool before making any adjustments, changing accessories, or storing power tools. Such preventive safety measures reduce the risk of starting the power tool accidentally.
- Store idle power tools out of the reach of children and do not allow persons unfamiliar with the power tool or these instructions to operate the power tool. Power tools are dangerous in the hands of untrained users.

- Maintain power tools. Check for misalignment or binding of moving parts, breakage of parts and any other condition that may affect the power tools operation. If damaged, have the power tool repaired before use. Many accidents are caused by poorly maintained power tools.
- Keep cutting tools sharp and clean. Properly maintained cutting tools with sharp cutting edges are less likely to bind and are easier to control.
- Use the power tool, accessories and tool bits, etc., in accordance with these instructions, taking into account the working conditions and the work to be performed. Use of the power tool for operations different from those intended could result in a hazardous situation.

Battery tool use and care

- Recharge only with the charger specified by the manufacturer. A charger that is suitable for one type of battery pack may create a risk of fire when used with another battery pack.
- Use power tools only with specifically designated battery packs. Use of any other battery packs may create a risk of injury and fire.
- When the battery pack is not in use, keep it away from other metal objects, like paper clips, coins, keys and nails.
- Under abusive conditions, liquid may be ejected from the battery; avoid contact. If contact accidentally occurs, flush with water. If liquid

contacts eyes, immediately seek medical help. Liquid ejected from the battery may cause irritation or burns.

Service

a) Have your power tool serviced by a qualified repair person using only identical replacement parts. This will ensure that the safety of the power tool is maintained.

Additional safety warnings for hedge trimmer

- Keep all parts of the body away from the cutter blade. Do not remove cut material or hold material to be cut when blades are moving. Make sure the switch is off when clearing jammed material. A moment of inattention while operating the hedge trimmer may result in serious personal injury.
- Carry the hedge trimmer by the handle with the cutter blade stopped. When transporting or storing the hedge trimmer always fit the cutting device cover. Proper handling of the hedge trimmer will reduce possible personal injury from the cutter blades.
- Hold the power tool by insulated gripping surfaces only, because the cutter blade may contact hidden wiring. Cutter blades contacting a 'live' wire may make exposed metal parts of the power tool 'live' and could give the operator an electric shock.

- Check the hedge for foreign objects, e.g. wire fences.
- Use both hands when operating the hedge trimmer. Using one hand could cause loss of control and result in serious personal injury.

Additional safety instructions for batteries and chargers

Batteries

- Never attempt to open or shred the unit for any reason.
- Do not expose the battery pack to water, heat or fire. Avoid storage in direct sunlight.
- Do not incinerate the battery pack, even if it is severely damaged or is completely worn out; the battery pack can explode in a fire.
- Do not subject the battery pack to mechanical shock.
- Do not store in locations where the temperature may exceed 40°C.
- Do not leave the battery pack in the charger when charging is finished, otherwise battery leakage may occur.
- Charge only at room temperature.
- Charge only by using the charger provided with the tool (see technical data).
- Before charging, make sure that the battery is dry and clean.

- Wipe the battery pack with a clean, dry cloth if it becomes dirty.
- Use only the correct type of battery for the tool (see technical data).
- Only dispose of electrical or battery items in appropriate collection schemes.
- Under extreme conditions, battery leakage may occur. When you notice liquid on the battery, proceed as follows:
 - Carefully wipe off the liquid using a cloth.
 - Avoid skin contact.
 - Dispose of the battery in an environmentally-friendly manner.
- In case of skin or eye contact, follow the instructions below:
 - The battery fluid, a 25-30% solution of potassium hydroxide, can be harmful. In case of skin contact, immediately rinse with water. Neutralise with a mild acid, such as lemon juice or vinegar. In case of eye contact, rinse thoroughly with clean water for at least 10 minutes. Consult a physician.
- Do not short-circuit a battery pack. Do not store battery packs haphazardly in a box or drawer where they may short-circuit each other, or be shortcircuited by conductive materials. When the battery pack is not in use, keep it away from other metal objects, like paper clips, coins, keys, nails, screws or other small metal items that can make a

connection from one terminal to another. Shorting the battery terminals together may cause burns or a fire.

- Keep the battery pack out of the reach of children.
- Remove the battery from the equipment when not in use.



WARNING!

The batteries in your battery pack are the lithium-ion type. Do not dispose of battery packs/batteries into household waste, fire or water. Battery packs/batteries should be collected, recycled or disposed of in an environmentally-friendly manner.

Chargers

- This grass trimmer can be used by children aged from 8 years and above and persons with reduced physical, sensory or mental capabilities or lack of experience and knowledge, if they have been given supervision or instruction concerning use of the appliance in a safe way, and understand the hazards involved.
- Children should not play with the grass trimmer. Cleaning and user maintenance should not be carried by children without supervision.
- If the supply cord is damaged, it must be replaced by the manufacturer, its service agent or similarly qualified persons in order to avoid a hazard.
- Disconnect the charger from the power supply and allow it to cool down before cleaning, maintenance, storage or transportation.

- Before using the charger, read all the instructions and cautionary markings on the charger.
- The charger and battery pack supplied with this tool are specially designed to work together. Only use the charger with the battery pack for this tool.
- Charge the battery pack indoors only as the charger is designed for indoor use only.
- Do not charge non-rechargeable batteries.
- Protect the charger against moisture and wet conditions.
- There is a danger of electric shock.
- Do not place any object on top of the charger as it could cause overheating. Do not place the charger near any heat source.
- Do not use an extension cord unless it is absolutely necessary. The use of an improper extension cord could cause the risk of fire, electric shock or electrocution.
- Do not use the charger if it has been subjected to a heavy knock, dropped or otherwise damaged in any way. Have the charger checked and repaired by an authorised service centre.
- When charging batteries, ensure that the battery charger is in a well-ventilated area and away from flammable materials. Batteries can get hot during charging. Do not overcharge any batteries. Ensure that batteries and chargers are not left unsupervised during charging.

INTENDED USE

This Li-ion hedge trimmer ASYEHT01450 is intended for trimming hedges, bushes and shrubs. Observe the technical data for the maximum cutting capacity. Do not cut non-plant material or branches exceeding the stated maximum capacity.

For safety reasons, it is essential to read the entire instruction manual before first operation and to observe all the instructions herein.

This product is intended for private domestic use only, not for any commercial trade use. It must not be used for any purposes other than those described.

WARNING SYMBOLS



Warning!



Conforms to all relevant safety standards.



The product complies with the applicable UK Directives, and an evaluation method of conformity for these directives was done.



Read the instruction manual before use.



Wear ear protection.



Wear eye protection.



Wear dust mask.



Keep fingers away from moving cutting device!



Disconnect the battery pack before any adjustment or maintenance.



Do not expose to rain.



Guaranteed sound power level data (94dB), in accordance with Directive 2000/14/EC.

WARNING SYMBOLS ON THE CHARGER



Before use, carefully read through the user manual.



For indoor use only.



Class II equipment.



Pole orientation.



Waste electrical products should not be disposed of with household waste. Please recycle where facilities exist. Check with your local authority or retailer for recycling advice.



Conforms to all relevant safety standards.



The product complies with the applicable UK Directives, and an evaluation method of conformity for these directives was done.

WARNING SYMBOLS ON THE BATTERY

+ Anode

- Cathode



Do not dispose of batteries in rivers or immerse in water.



Do not subject the battery to strong sunlight over long periods and do not leave it on a heater (max. 45°C).



Do not dispose of batteries in a fire. They will explode and cause injury.



Contains Li-ion battery. All batteries must be recycled or disposed of properly.



Conforms to all relevant safety standards.

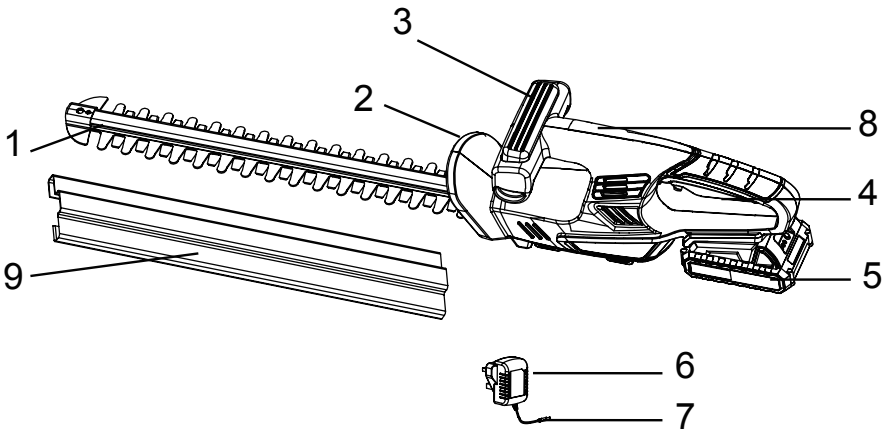


The product complies with the applicable UK Directives, and an evaluation method of conformity for these directives was done.

IN THE BOX

Parts

1. Blade
2. Guard
3. Safety switch
4. Trigger
5. Battery pack
6. Charger
7. Charging plug
8. Front handle
9. Blade sheath



ASSEMBLY



WARNING!

Before using the tool, read all instructions carefully.

CHARGING THE BATTERY



WARNING!

The charger and battery pack are specifically designed to work together so do not attempt to use any other devices. Never insert or allow metallic objects into your charger or battery pack connections because an electrical failure and hazard will occur.

The battery needs to be charged before first use and whenever it fails to produce sufficient power on jobs that were easily done before.



WARNING! NEVER LEAVE THE BATTERY AND CHARGER UNATTENDED WHEN CHARGING THE BATTERY.

This product comes with a lithium-ion battery pack. Lithium-ion batteries don't lose charge when not in use, and don't lose charging capacity overtime. Nevertheless, it is best practice to charge the battery when empty or insufficient to do the job.

CHARGING PROCEDURE

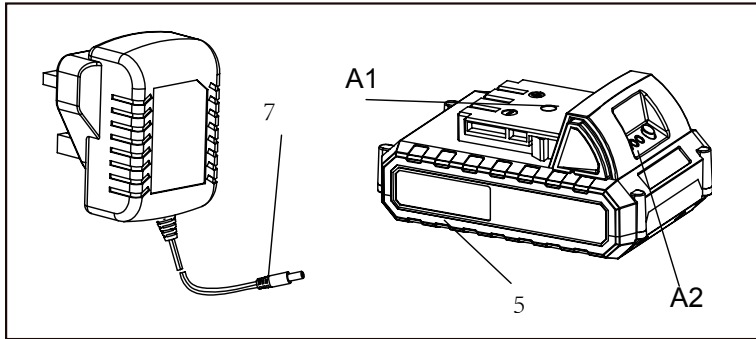


WARNING!

The battery cannot be charged immediately after use, it should cool off for a period of time.

1. Plug the charger into an appropriate AC power outlet.
2. Insert the charger plug (7) into the charging hole (A1) in battery pack (5), make sure the plug is fully in position. The LED (A2) lights on battery pack flashes to tell you that the battery pack is on charge.

3. The battery pack will be fully charged in 4-5 hours. And the three LED (A2) lights turn green to tell you that the battery pack is fully charged.



Important charging notes

Longest life and best performance can be obtained if the battery pack is charged when the air temperature is between 18-24°C. Do not charge the battery pack in a very low or very high air temperature. This is important and will prevent serious damage to the battery pack.

1. When using your tool continuously, the batteries in your battery pack will become hot. You should let a hot battery pack cool down for approximately 30 minutes before attempting to recharge.
2. The charger and battery pack may become warm to touch while charging. This is a normal condition and does not indicate a problem.
3. Use the charger in normal room temperatures whenever possible. To prevent overheating, do not cover the charger and do not charge battery packs in direct sunlight or near heat sources.
4. If the battery pack does not charge properly:
 - (1). Check the main socket by plugging in a lamp or other appliance.

(2). Move the charger and battery pack to a location where the surrounding air temperature is approximately 18-24°C.

(3). If charging problems persist, take or send the tool, battery pack and charger to your local service centre.

5. The battery pack should be recharged when it fails to produce sufficient power on jobs which were easily done previously. DO NOT CONTINUE to use under these conditions. Follow the charging procedure. You may also charge a partially used pack whenever you desire with no adverse effect on the battery pack.
6. Under certain conditions, with the charger plugged in to the power supply, the exposed charging contacts inside the charger can be shorted by foreign material. Foreign materials of a conductive nature, such as, but not limited to, steel wool, aluminium foil, or any build-up of metallic particles, should be kept away from charger cavities. Always unplug the charger from the power supply when there is no battery pack in the cavity. Unplug the charger before attempting to clean it.
7. Do not immerse the charger in water or any other liquid.



WARNING!

Don't allow any liquid to get inside the charger; electric shocks may result. To facilitate the cooling of the battery pack after use, avoid placing the charger or battery pack in a warm environment, such as in a metal shed, or an un-insulated trailer.



WARNING!

Never attempt to open the battery pack for any reason. If the plastic housing of the battery pack breaks or cracks, return it to a service centre for recycling; do not put it into further use.

REMOVE OR INSTALL THE BATTERY PACK

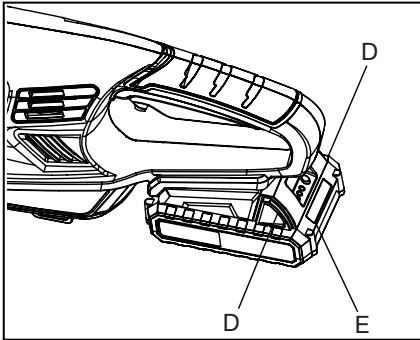


WARNING!

Always release the on/off trigger before insertion or removal of the battery pack.

Remove the battery pack. Depress the button (D) on the two sides of the battery pack, and then remove the pack (E) from the tool.

Install the battery pack. Align the ribs on both sides of the battery pack with the slots in the housing, and slip it into place. Always insert it all the way until it locks in place with a click sound. If not, it may accidentally fall out of the tool, causing injury to you or someone around you.



OPERATING THE HEDGE TRIMMER

Starting



WARNING!

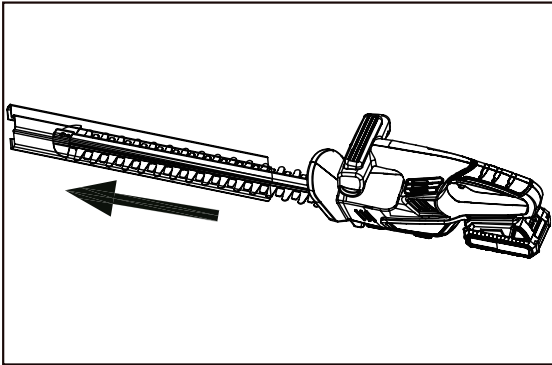
If any parts are missing, damaged or broken, do not operate your hedge trimmer until all damaged parts have been replaced or repaired. Failure to do so could result in serious personal injury.

For your safety, this tool is equipped with a dual safety-switch system. This system prevents starting the tool inadvertently, and will only allow operation while holding the tool with both hands.

TAKE OFF THE BLADE SHEATH

1. Take off the blade sheath.

Note! Make sure the battery pack is taken from the trimmer.



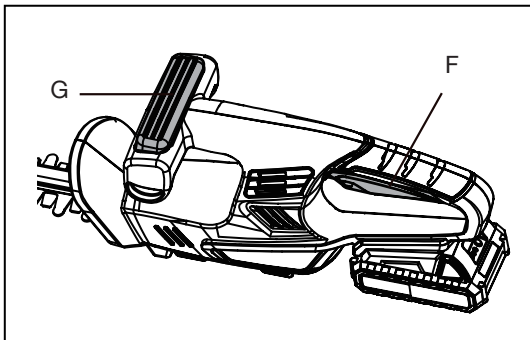
SWITCHING ON

Hold the product with one hand at the rear handle and the other at the front handle.

Press the trigger (F) and the front handle safety switch (G) at the same time, to switch the product on.

SWITCHING OFF

Release the front handle safety switch (G) or the trigger (F).



NOTE! Never attempt to lock the dual safety-switch system in the on position.

CUTTING GUIDE

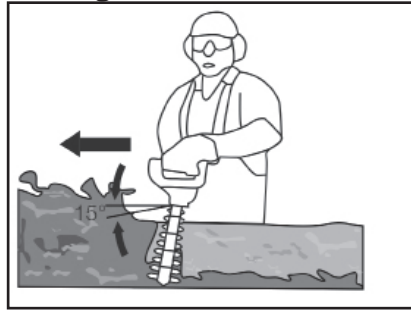


WARNING!

Before using this hedge trimmer, make sure that you have read all of the safety instructions.

When operating the unit, check for the following:

- Wear eye protection and appropriate clothing.
 - Hold the front handle with one hand and the rear handle with the other hand.
1. When trimming, the blade should be tilted towards the hedge. Always trim from the bottom upwards.
 2. Trim the sides of the hedge first and then trim the top.
 3. If the branches are very long, they should be cut back in several stages.
 4. Make sure that there are no hard objects in the hedge, such as railings, that could damage the blade.
 5. If the blade becomes jammed, switch it off and remove the battery pack before clearing the obstruction.
 6. Do not force the hedge trimmer to cut oversized branches. These should be cut by hand using secateurs or shears.



Note: Evergreen hedges and shrubs that retain their leaves in the winter should be trimmed in April and August.

Conifers and other fast-growing shrubs can be trimmed every six weeks throughout the growing season.

MAINTENANCE AND STORAGE



WARNING!

Before performing any repair work, always remove the battery pack.

CLEANING THE PRODUCT

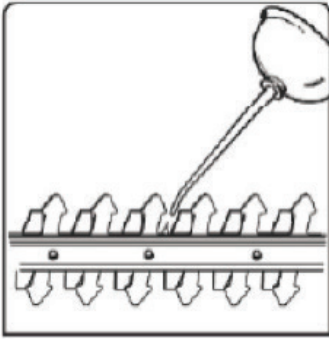
- Use a soft brush to remove any accumulated dust.
- Wear safety glasses to protect your eyes whilst cleaning.
- Wipe down the product enclosure with a slightly damp cloth.
- Do not spray the unit with water. Ingress of water may destroy the switch and the electric motor.

MAINTENANCE

1. Keep all nuts, bolts and screws tight to be sure that the machine is in safe working condition.
2. Examine the machine and replace worn or damaged parts for safety.
3. Check that the guards are undamaged and correctly fitted. Carry out necessary maintenance or repairs before using.
4. Do not use the unit if the blades are blunt or worn. This will overstress the motor and gear box of the machine.

BLADE MAINTENANCE

1. Wear gloves when handling or cleaning the cutting blade.
2. Always clean the cutting blade after operation and lubricate with protective spray. During longer cutting jobs, we recommend periodically lubricating the cutting blade with protective spray.
3. Visually check the condition of the cutting edges of the cutting blade. Check tightness of blade bolts. Ensure that the blade is covered with the blade protection supplied.



STORAGE AND TRANSPORT

1. After cleaning the unit thoroughly. Store the unit in a safe, dry room, allowing the motor to cool down beforehand.
2. Store the machine out of the reach of children.
3. Use the original packaging whenever possible.

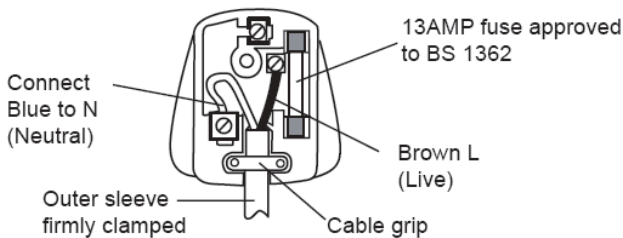
UK PLUG

If you need to replace the fitted plug, then follow the instructions below.

IMPORTANT: The wires in the mains lead are coloured in accordance with the following code:

Blue – Neutral, Brown – Live

As the colours of the wire in the mains lead of this product may not correspond with the coloured markings identifying the terminals in your plug, proceed as follows: The blue wire must be connected to the terminal marked N or coloured black. The brown wire must be connected to the terminal marked L or coloured red.





WARNING!

Never connect live or neutral wires to the earth terminal of the plug.

Only fit an approved 13 Amp BS 1363 or BS 1363/A plug and the correctly rated fuse. If in doubt, consult a qualified electrician.

TROUBLESHOOTING

Although your new cordless hedge trimmer is really easy to operate, if you do experience problems, check the following:

Problem	Possible cause	Solution
Product does not start	1. Not connected to battery pack	1. Connect to battery pack
	2. Low battery capacity	2. Charge the battery pack
	3. Other defect to the product	3. Check with a specialist
Product does not reach full power	1. Low battery capacity	1. Charge the battery pack
	2. Air vents are blocked	2. Clean the air vents
Does not cut	Cutting device worn	Have a specialist replace it

If a fault is suspected, return the trimmer to an authorised service centre for repair.

TECHNICAL DATA

Model no.	ASYEHT01450
Voltage	18V d.c.
Battery type	Lithium-ion
No load speed	1400/min
Cutting length/tooth gap	405mm/14mm
Battery pack	
Model	ZDBP18012001
Battery type	Lithium-ion
Battery capacity	2.0Ah
Charging time	Approx. 4 hours
Charger	
Model	XZ2200-0500WB
Input voltage of charger	100-240VAC 50/60Hz
Input current of charger	0.3A
Output voltage of charger	22V d.c.
Output current of charger	0.5A
Protection class	□ / II

Noise and vibration data

A weighted sound pressure 73.5dB(A) K_{PA} : 3dB(A)

A weighted sound power 88.9dB(A) K_{WA} : 3dB(A)

The guaranteed sound power level: 94dB(A)

Wear ear protection (PPE).

Typical weighted vibration 1.395m/s² K=1.5m/s²



WARNING!

The sound values have been determined according to the noise test code given in EN60745-1, using the basic standards EN ISO 11201 and EN ISO 3744.

The sound intensity level for the operator may exceed 80dB(A) and ear protection measures are necessary.

The declared vibration value (according to EN 60745-1:2009) has been measured in accordance with a standard test method, and may be used for comparing one product with another. The declared vibration value may also be used in a preliminary assessment of exposure.

Depending on the actual use of the product, the vibration values can differ from the declared total! Adopt proper measures to protect yourself against vibration exposures! Take the whole work process into consideration, including times the product is running under no load or switched off!

Proper measures include, among others, regular maintenance and care of the product and cutting attachments, keeping hands warm, periodical breaks and proper planning of work processes!

RECYCLING AND DISPOSAL



Waste electrical products should not be disposed of with household waste. Please recycle where facilities exist. Check with your local authority or retailer for recycling advice.

GETTING HELP

Our dedicated UK-based customer helpline is open 7 days a week to assist you with assembly, parts queries and technical support. We are open during office hours but you can always send an email via **support@coreservice.co.uk**. Our experts are here to get you back enjoying your garden in no time.

For useful assembly, starting and maintenance videos, and for ordering spares, please visit **www.coreservice.co.uk**.

Using our service does not affect your statutory rights.

WARRANTY

This product is covered by a 1 year warranty.

The warranty covers any manufacturing defect in materials, workmanship and finish.

Any claim under this warranty must be made by going to your nearest Homebase store, taking your proof of purchase with you, and claims must be made within 1 year of the date of purchase.

We will offer you a free repair of the item where this is possible, or a replacement or a refund. Your statutory rights remain unaffected, in particular any rights you may have under the Consumer Rights Act 2015.

This warranty is given by HHGL Limited, MK9 1BA; HHGL (ROI) Limited, D02 X576.

Please note: This warranty does not apply to products misused or neglected and only covers domestic use. It does not apply to commercial use of the product.