



# HOMEBASE

LAWN AERATOR

## INSTRUCTION MANUAL

**IMPORTANT:** Please read these instructions before using the product and retain for future use.

HHGL Limited, MK9 1BA  
HHGL (ROI) Limited, D02 X576

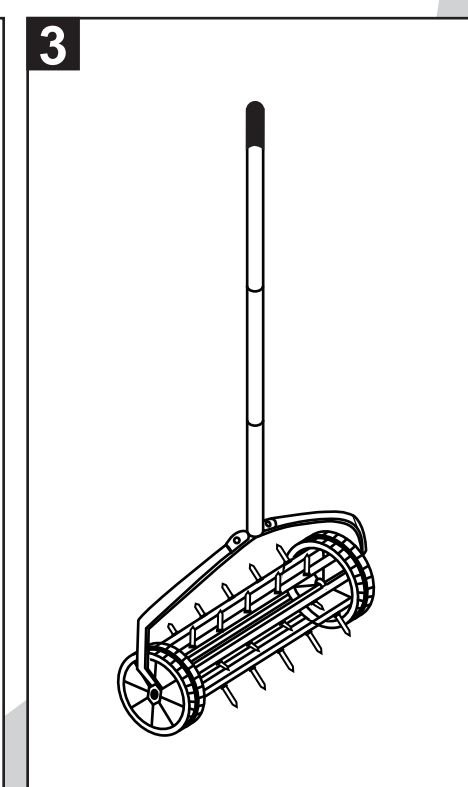
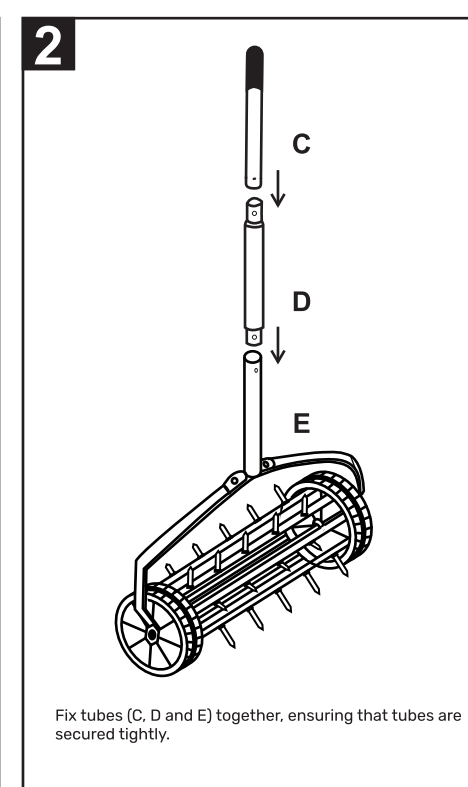
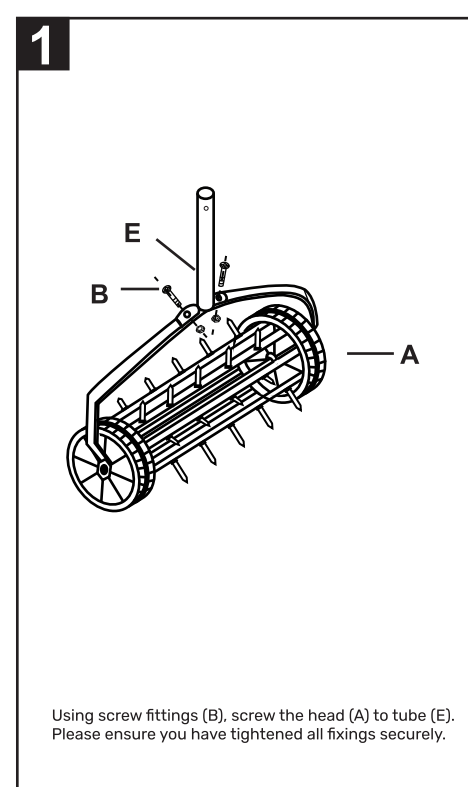
## ASSEMBLY INSTRUCTIONS

### BEFORE YOU BEGIN

Before you begin assembly, please read through these instructions and familiarise yourself with each step. Please do not discard any of the packaging until you have checked that you have all the parts. To avoid damaging any of the components, lay out and assemble the aerator on the floor, keep fittings and plastic packaging out of children's reach. If any of the components are dusty, clean with a duster or damp cloth, do not use abrasive cleaners.

### PARTS LIST

PART No.	DESCRIPTION	DIAGRAM	QTY.	PART No.	DESCRIPTION	DIAGRAM	QTY.	PART No.	DESCRIPTION	DIAGRAM	QTY.
A	Head		1	C	Tube-A		1	E	Tube-C		1
B	Screw fittings		2	D	Tube-B		1				



### OPERATION

The aerator should not be pulled, best results are obtained when the lawn is wet. In dry conditions, effective aeration can be achieved by applying more pressure on the handle.

### WARNING

Avoid the spikes coming into contact with your body, they are sharp and could result in injury, if the aerator is not operated correctly.

### CARE

Thoroughly clean the spikes and wheels after use, then store in a dry area. To maintain the functionality of this item, regularly lubricate all moving parts.

说明书 210x285mm  
80g双胶 单色印刷  
正反印刷