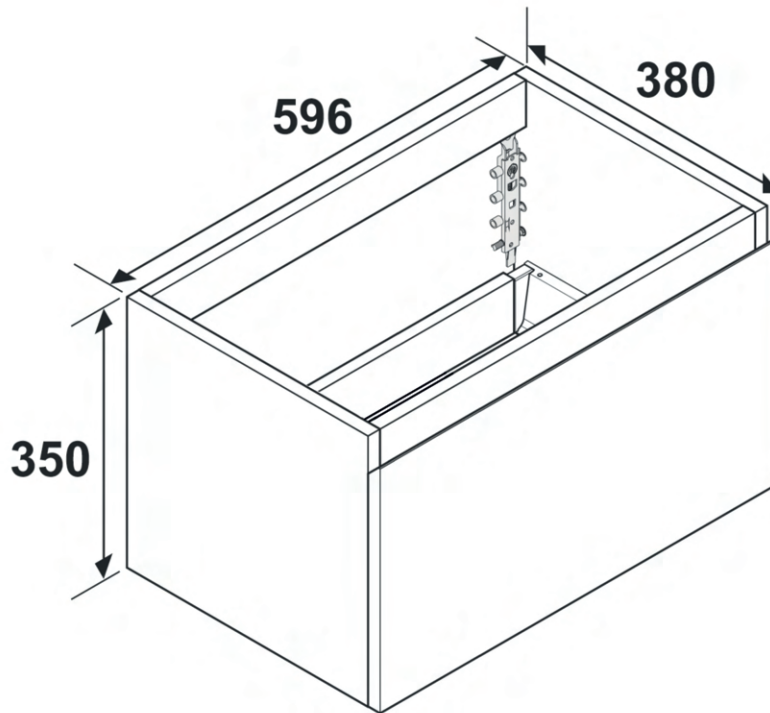


# Mino 600 Basin Drawer Unit Assembly Instructions 41405018310



**Width 596mm**  
**Depth 380mm**  
**Height 350mm**

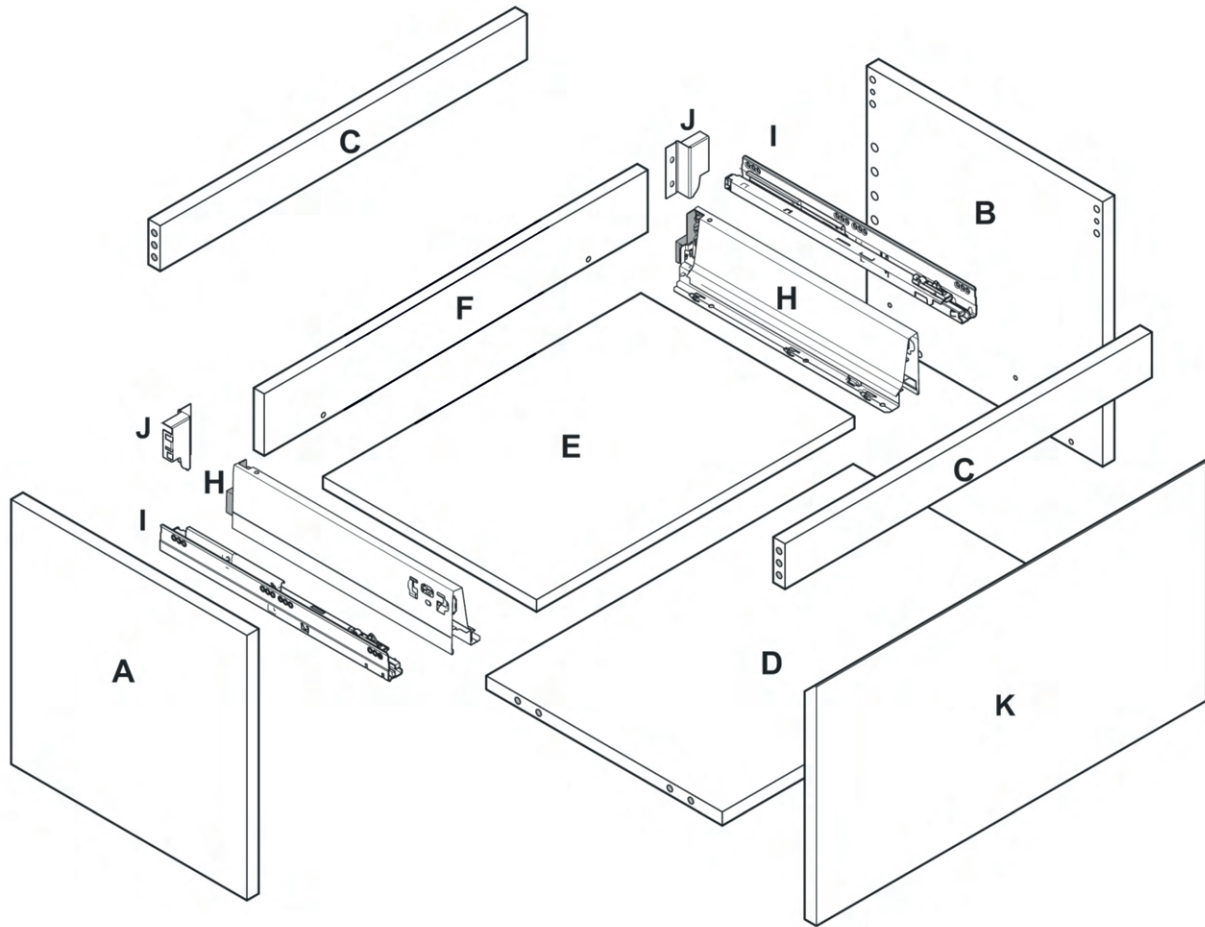
- **Important:** This wall-hung vanity unit must be securely fixed to a suitably strong wall. It may be necessary to reinforce the wall at the fixing points. The fixing method used to secure the unit to the wall must be suitable for the wall construction.
- **Note:** Height of the unit from the floor- we recommend that the unit be mounted so that the top lip of the basin fitted on top of the unit is 850mm above the floor.

## Care and Maintenance

### Please Leave with the householder

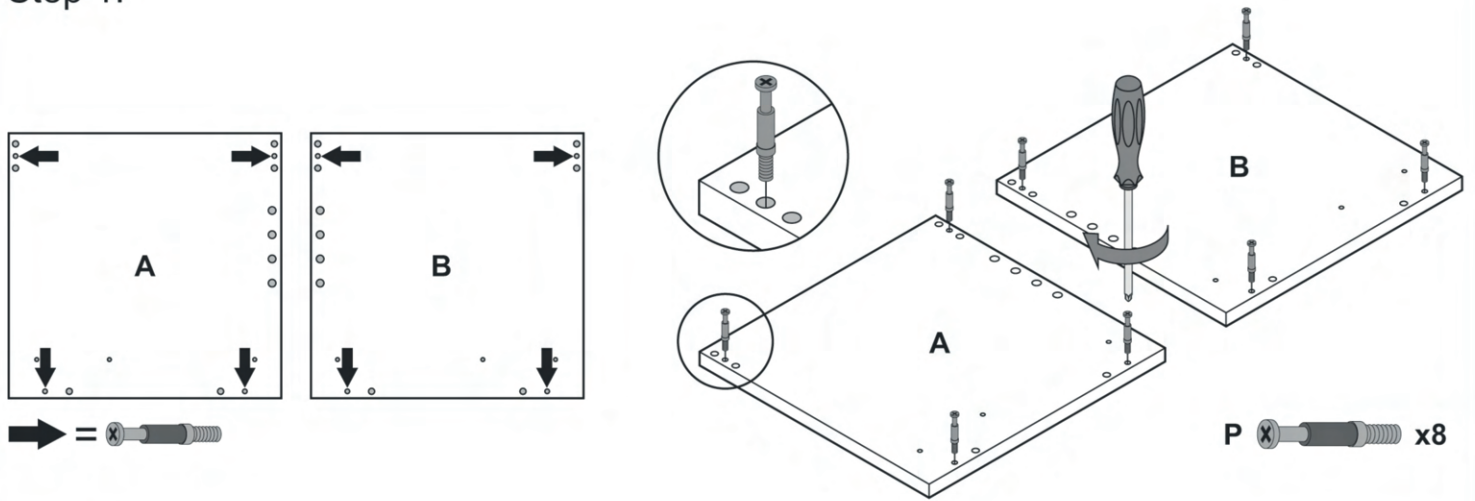
This furniture is made of wood, and has a water resistant finish. It should not be left wet. The quality of the finish is best maintained if it is wiped with a dry cloth after use. It should only be cleaned using a soft damp cloth followed by a dry cloth. Do not use bleach or any abrasive cleaner.

**Tools Required:**

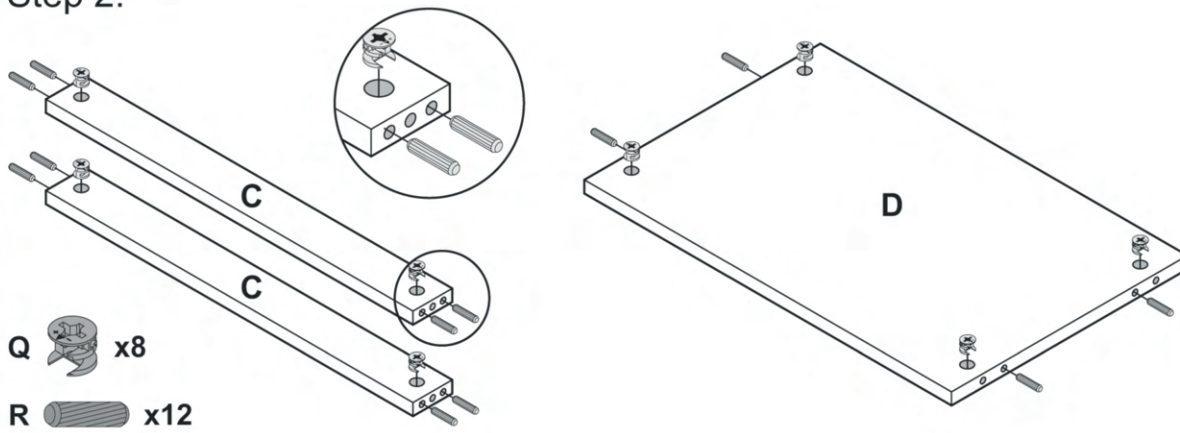


CODE	SIZE (mm)	QTY	CODE	DIAGRAM	QTY
A	350 x 360 x 18 (LH)	1	L		2
B	350 x 360 x 18 (RH)	1	M	 ST4 *14mm	10
C	560 x 60 x 18	2	N		6
D	560 x 360 x 18	1	O	 25mm	2
E	483 x 326 x 16	1	P		8
F	477 x 84 x 16	1	Q		8
G			R		12
H	350 Drawer Sides	Pair	S		2
I	350 Drawer Runners	Pair	T	 Snap apart	1
J	Drawer Back Brackets	Pair	U		4
K	595 x 315 x 18 Drawer Fascia	1	V	 ST5 *50mm	4

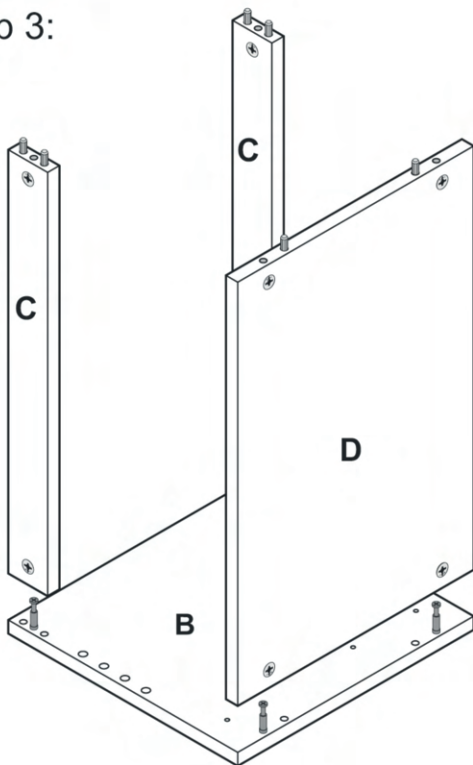
Step 1:



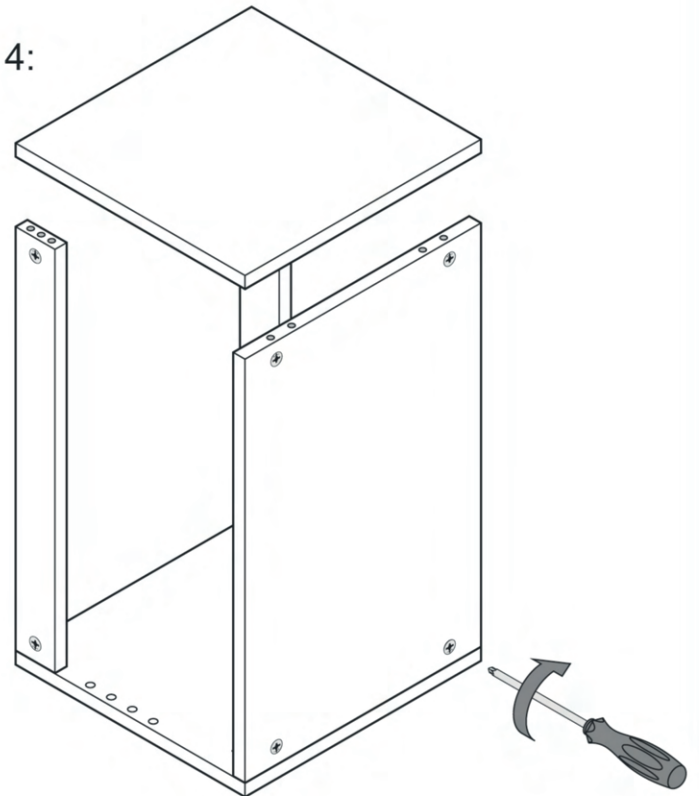
Step 2:



Step 3:

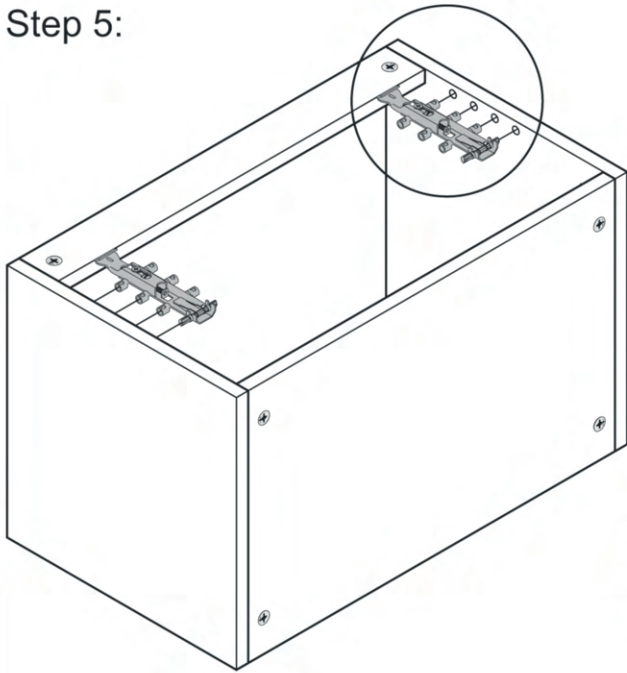


Step 4:

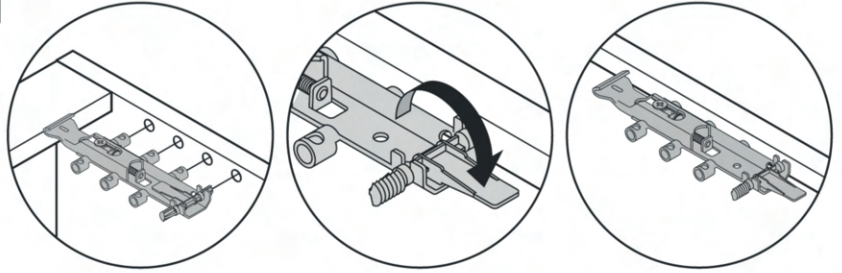




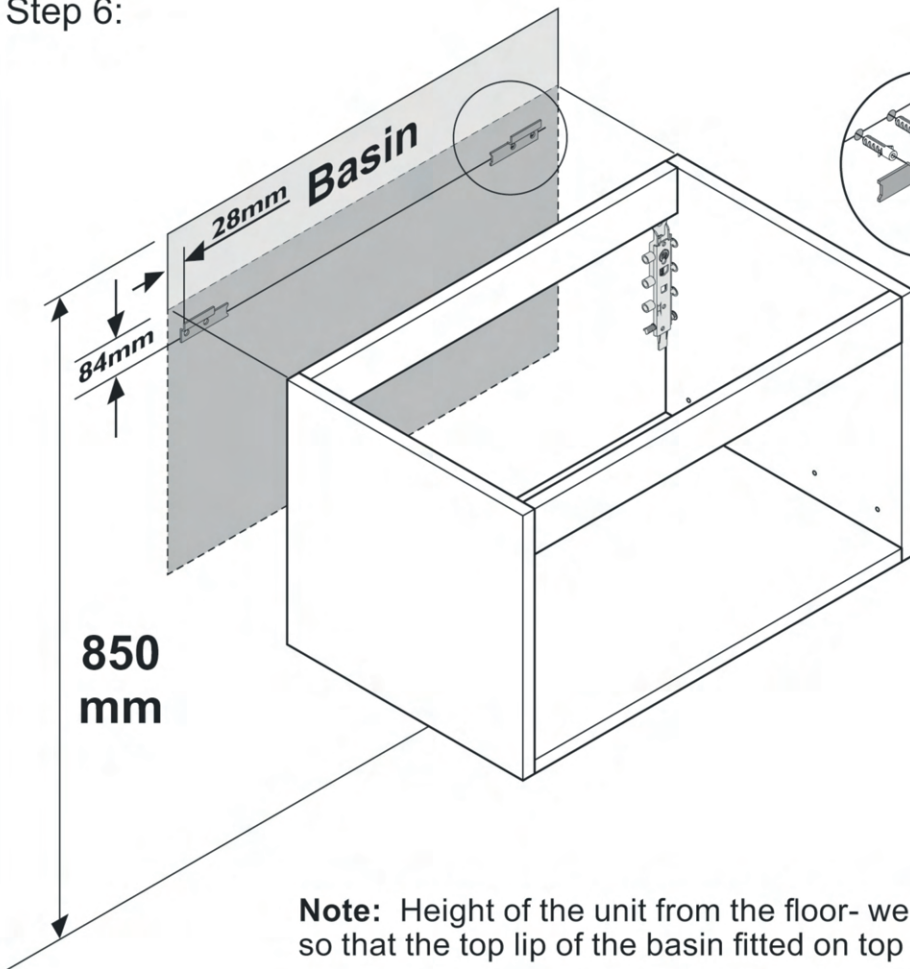
Step 5:



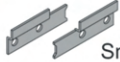


S  x2



Step 6:

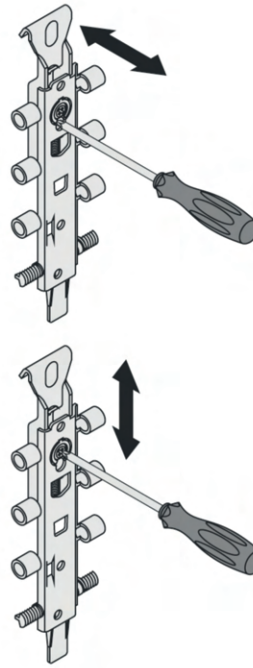
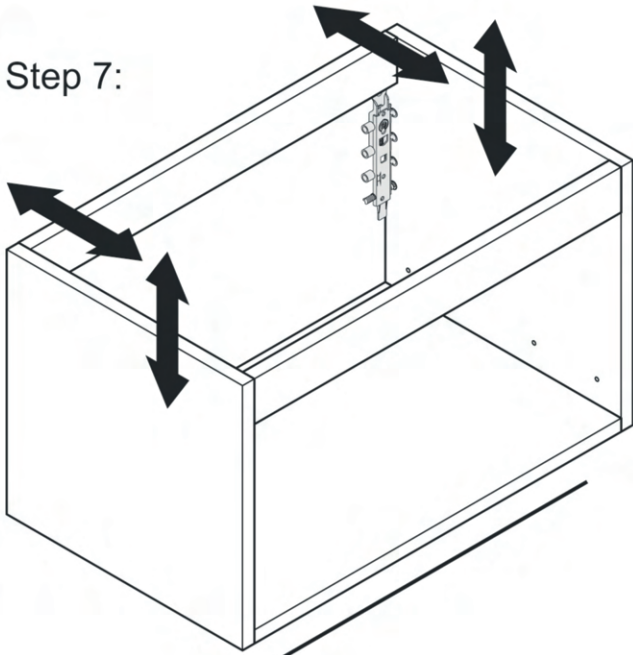


The wall fixings supplied may not be suitable for your installation. You may need to source alternatives depending on the material and strength of the wall.

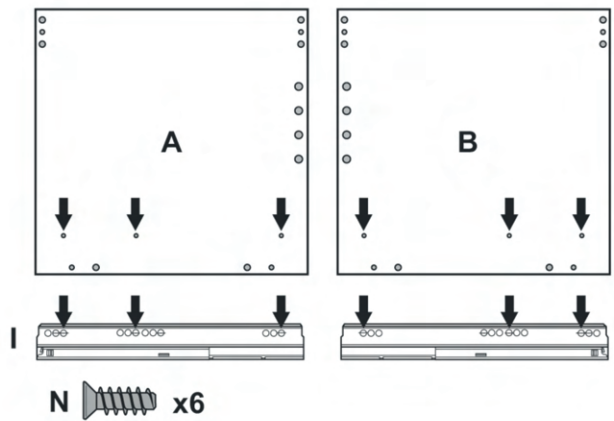
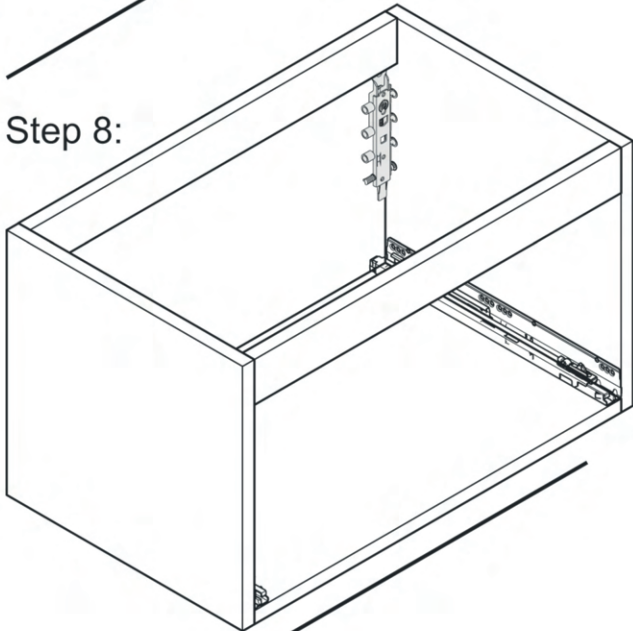
- T  x1  
Snap apart
- U  x4
- V  x4  
ST5 \*50mm

**Note:** Height of the unit from the floor- we recommend that the unit be mounted so that the top lip of the basin fitted on top of the unit is 850mm above the floor.

Step 7:

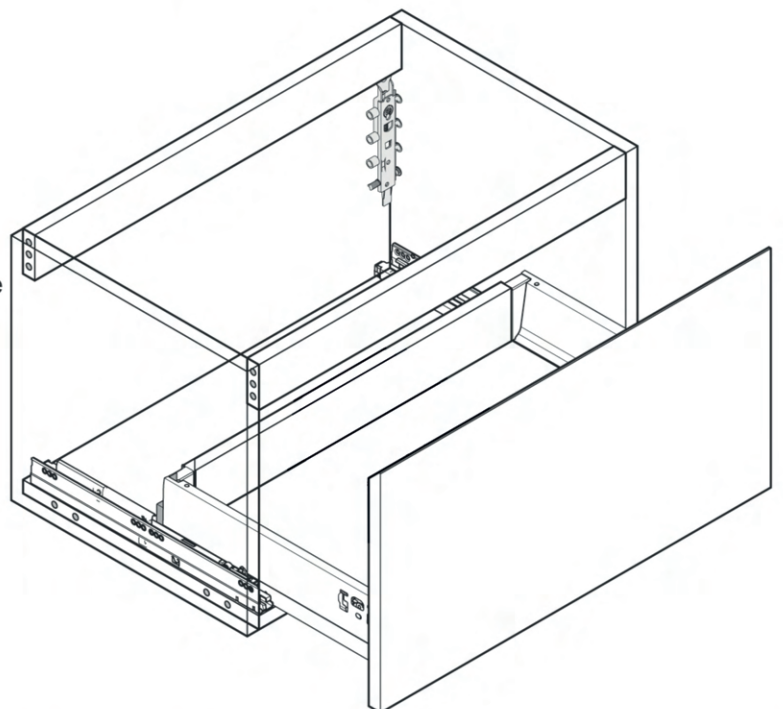


Step 8:

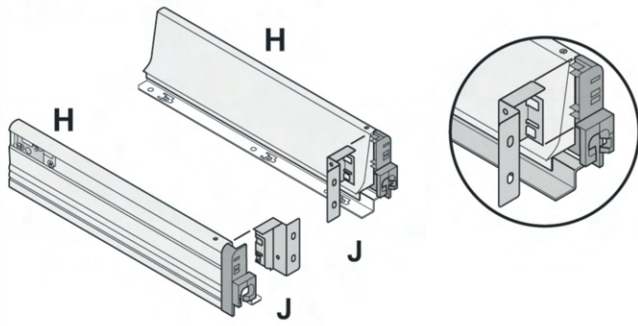


Step 15:

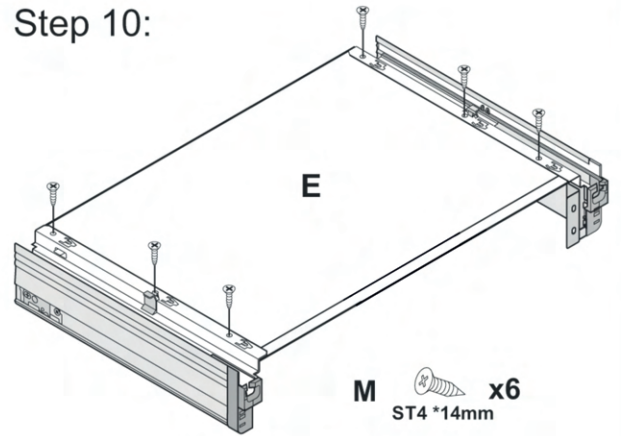
See the following page for drawer assembly and adjustment.



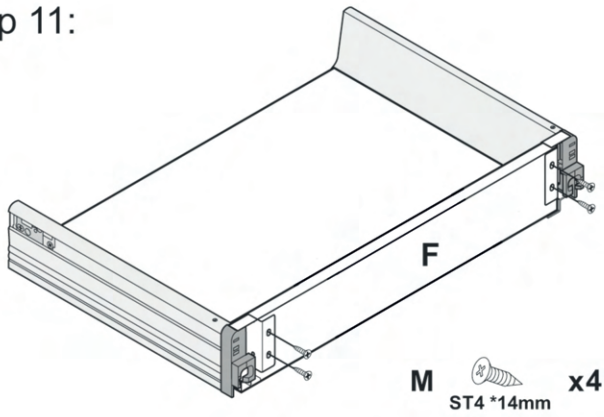
Step 9:



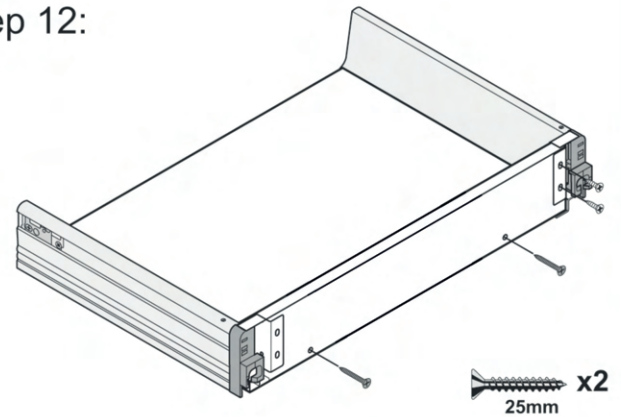
Step 10:



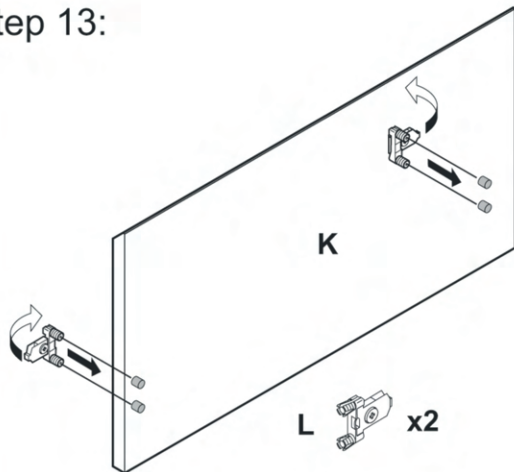
Step 11:



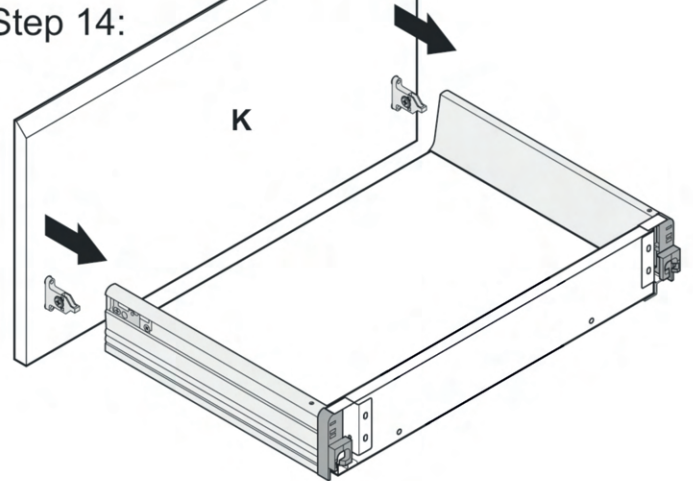
Step 12:



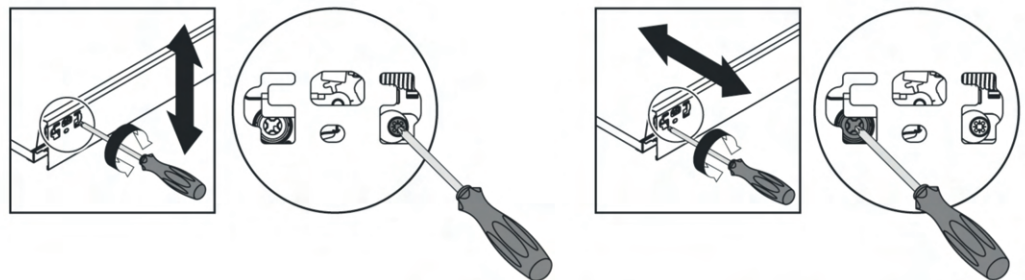
Step 13:



Step 14:



Drawer Adjustment:



For more information visit [www.bathstore.com](http://www.bathstore.com)