



# HOMEBASE

## WOODEN COLD FRAME

### INSTRUCTION MANUAL

**IMPORTANT:** Please read these instructions before using the product and retain for future use.

HHGL Limited, MK9 1BA  
HHGL (ROI) Limited, D02 X576

# ASSEMBLY INSTRUCTIONS

## BEFORE YOU BEGIN

Please check that you have all of the parts before starting assembly.  
A full list of the parts and step-by-step instructions are given below.

## NOTE:

We do not recommend the use of a power drill/driver for inserting screws, as this could damage the product. Only use a hand screwdriver.

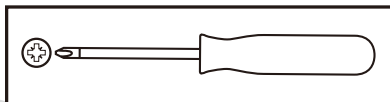


## PARTS LIST

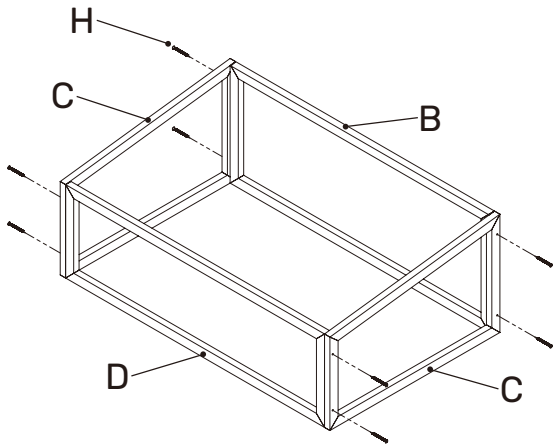
PART REF.	DESCRIPTION	DIAGRAM	QTY.	PART REF.	DESCRIPTION	DIAGRAM	QTY.
A	Lid panel		x 1	F	Lid support arms		x 2
				G	Screws (M3x16)		x 10
B	Back panel		x 1	H	Screws (M3.5x40)		x 8
				I	L shape metal plates		x 2
C	Side panels		x 2	J	Bolts (M4*12)		x 2
D	Front panel		x 1	K	Flat washers (D6)		x 2
				L	Nuts (M4)		x 2
E	Wing bolts		x 2				

## TOOLS REQUIRED

Cross-head screwdriver (not provided)

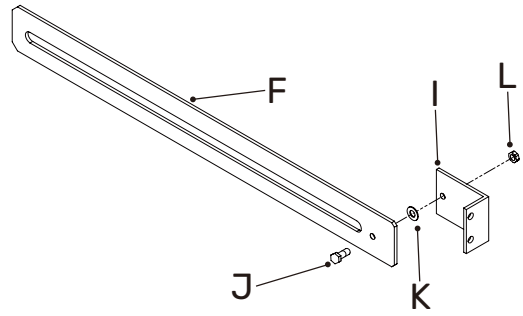


**1**



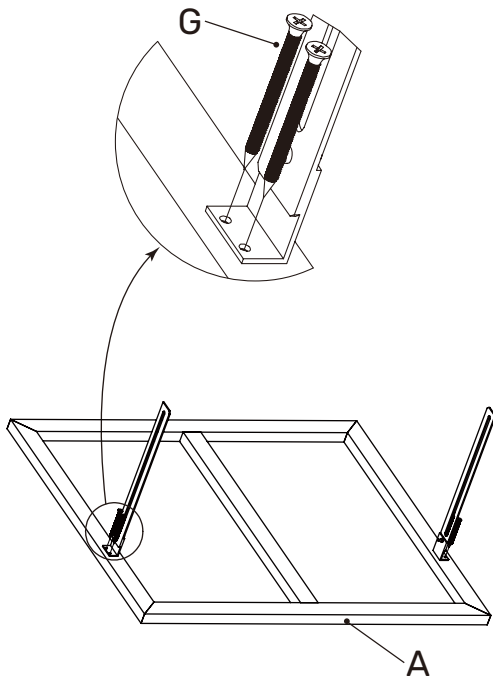
H x 8

**2**



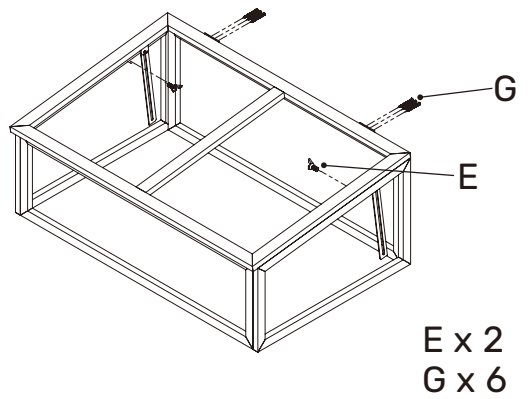
F x 1  
 I x 1  
 J x 1  
 K x 1  
 L x 1

**3**



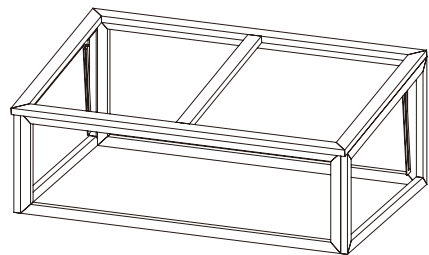
G x 4

**4**



E x 2  
 G x 6

**5**



Your frame is now ready for use.