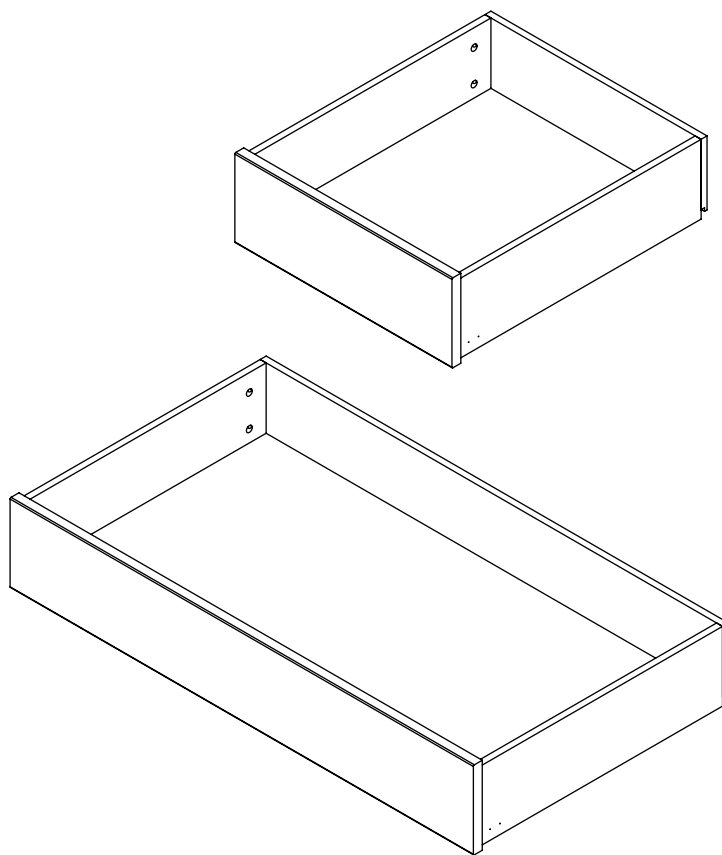


Modular Bedroom: Internal robe drw (Single/Double)

Assembly Instructions - Please keep for future reference



Dimensions

Width - 39-84 cm

Depth - 51.6 cm

Height - 16 cm

Important – Please read these instructions fully before starting assembly

If you need help or have damaged or missing parts, return to your local store.



Safety and Care Advice

Important – Please read these instructions fully before starting assembly

- Check you have all the components and tools listed on the following pages.
- Remove all fittings from the plastic bags and separate them into their groups.
- Keep children and animals away from the work area, small parts could choke if swallowed.
- Make sure you have enough space to layout the parts before starting.

- During assembly do not stand or put weight on the product, this could cause damage.
- Assemble the item as close to its final position (in the same room) as possible.
- Assemble on a soft level surface to avoid damaging the unit or your floor.
- Parts of the assembly will be easier with 2 people.



- To reduce the likelihood of damaging your product please ensure that your power drill is set on a low torque setting.

Care and maintenance

- Only clean using a damp cloth and mild detergent, do not use bleach or abrasive cleaners.
- From time to time check that there are no loose screws on this unit.
- This product should not be discarded with household waste. Take to your local authority waste disposal centre.

Handy Hints

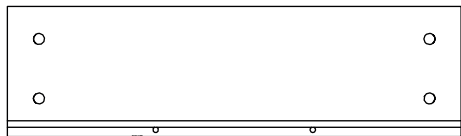
- Assemble all parts and bolts loosely during assembly, only once the product is complete should you fully tighten the bolts
- Regularly check and ensure that all bolts and fittings are tightened properly.

Note: if required the next page can be cut out and used as reference throughout the assembly. Keep this page with these instructions for future reference.

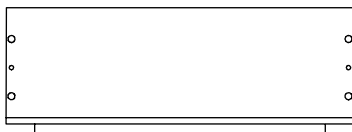
Components - Panels

If you have damaged or missing components, return to your local store.

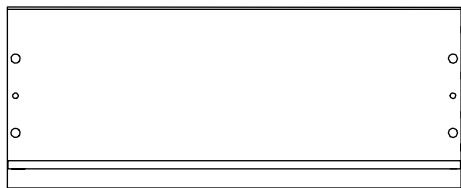
Please check you have all the panels listed below



1 Side panel x 2 (14 x 48.8cm)



2 Drawer back panel x 2
(14 x 38.9cm for internal single robe drw)
(14 x 83.9cm for double internal drawer)




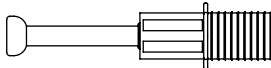

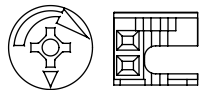
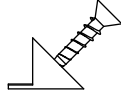
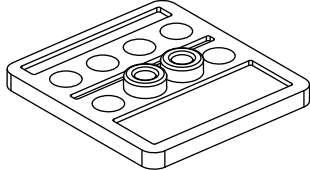
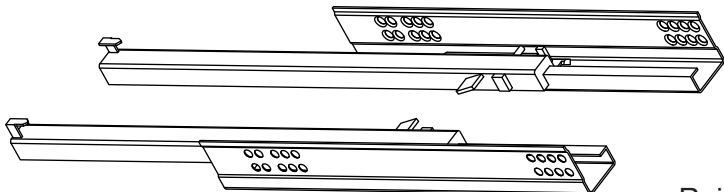
3 Drawer front panel x 1
(15.8 x 39.1cm for internal single robe drw)
(15.8 x 84.1cm for double internal drawer)

4 Drawer bottom panel x 1
(37.7 x 50.2cm for internal single robe drw)
(82.7 x 50.2cm for double internal drawer)

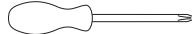

Components - Fittings

Please check you have all the fittings listed below

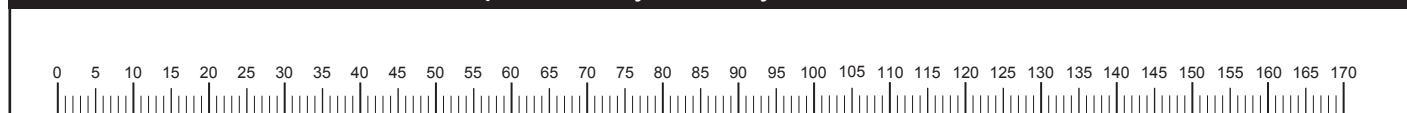
Note: The quantities below are the correct amount to complete the assembly. In some cases more fittings may be supplied than are required.

<p>A </p> <p>Wooden dowel x 4</p>	<p>B </p> <p>Metal dowel x 8</p>	<p>C </p> <p>Euro Screw x 4</p>
<p>D </p> <p>Locking nut x 8</p>	<p>E </p> <p>Back fitting x 4</p>	
<p>F </p> <p>Rail plate x 4</p>	<p>G </p> <p>Rails set x 1</p>	

Tools required

-  Phillips screwdriver (medium & large)
-  Flatblade screwdriver (medium)

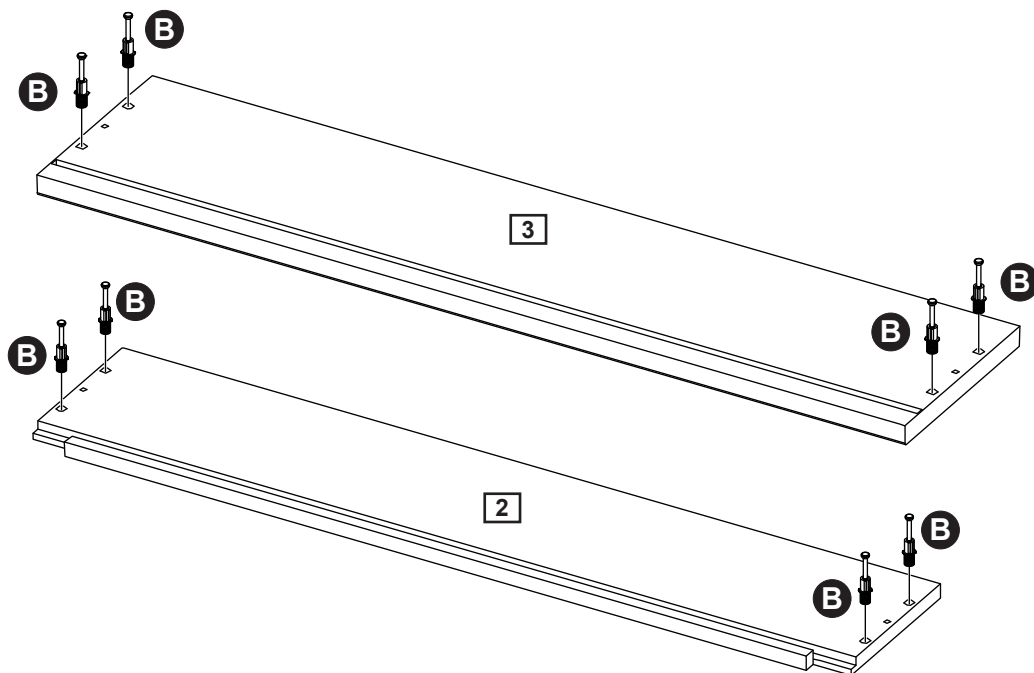
Ruler - Use this ruler to help correctly identify the screws



Assembly Instructions

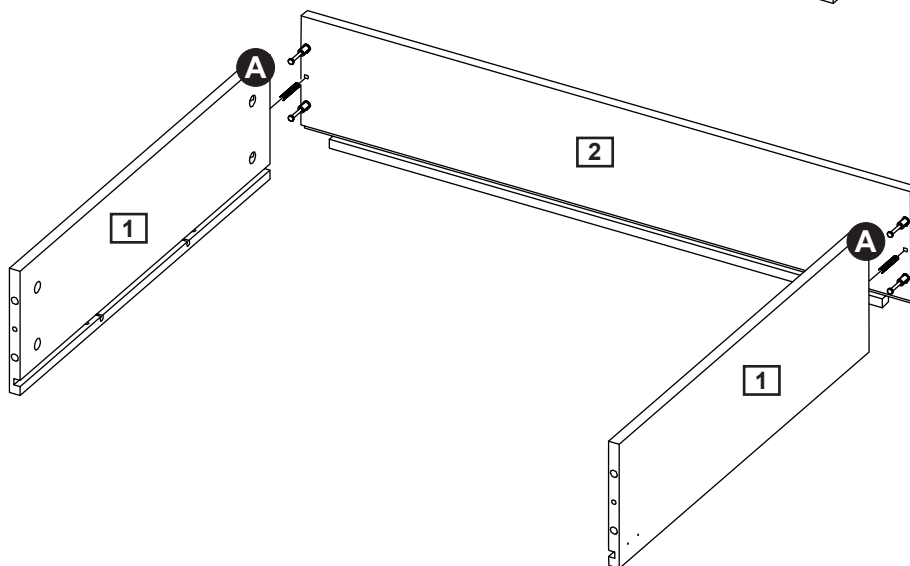
Step 1

Screw 8 metal dowels **B** into drawer front panel **3** and back panel **2**.



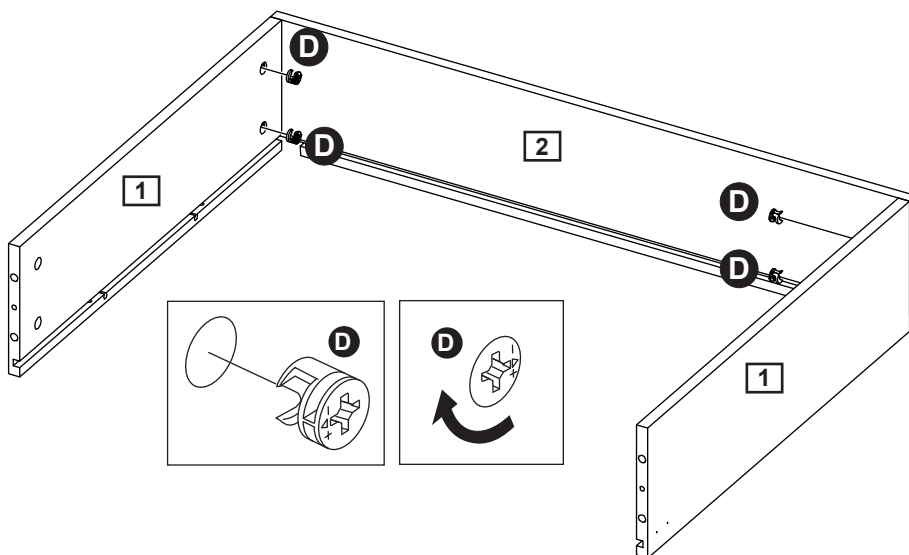
Step 2

Insert 2 wooden dowels **A** on drawer side panels **1**. Then connect them to drawer back panel **2**.



Step 3

Insert 4 locking nuts **D** into drawer side panels **1** where shown. Use a screwdriver to turn locking nuts **D** clockwise to lock.

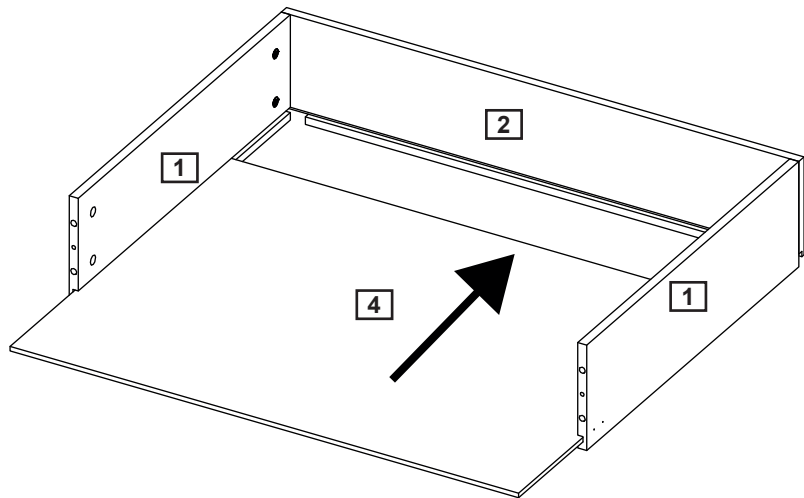


Assembly Instructions

Step 4

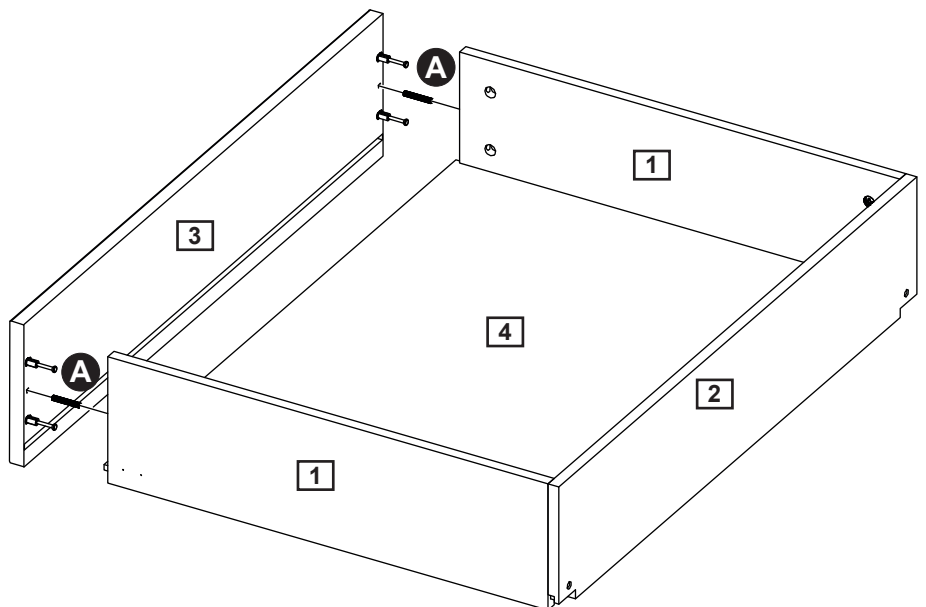
Fitting bottom panel

Slide drawer bottom panel **4** into groove.



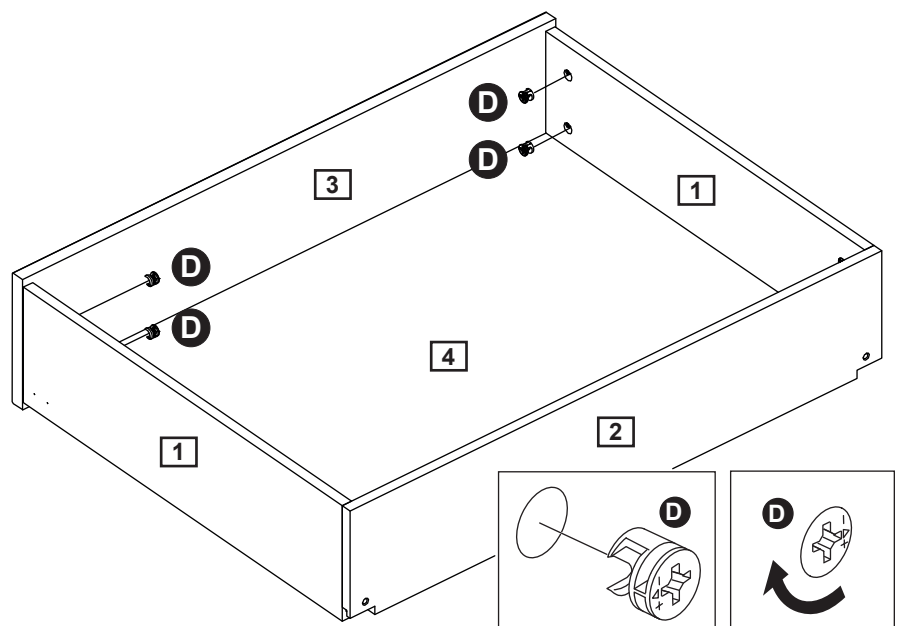
Step 5

Insert 2 wooden dowels **A** on drawer side panels **1** as shown. Then connect it to front panel **3**.



Step 6

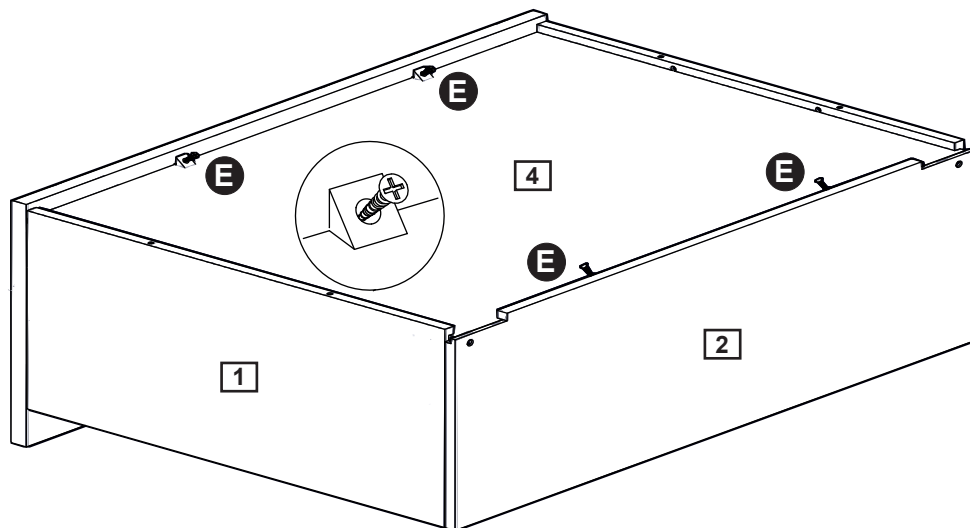
Insert 4 locking nuts **D** into drawer side panels **1** where shown. Use a screwdriver to turn locking nuts **D** clockwise to lock.



Assembly Instructions

Step 7

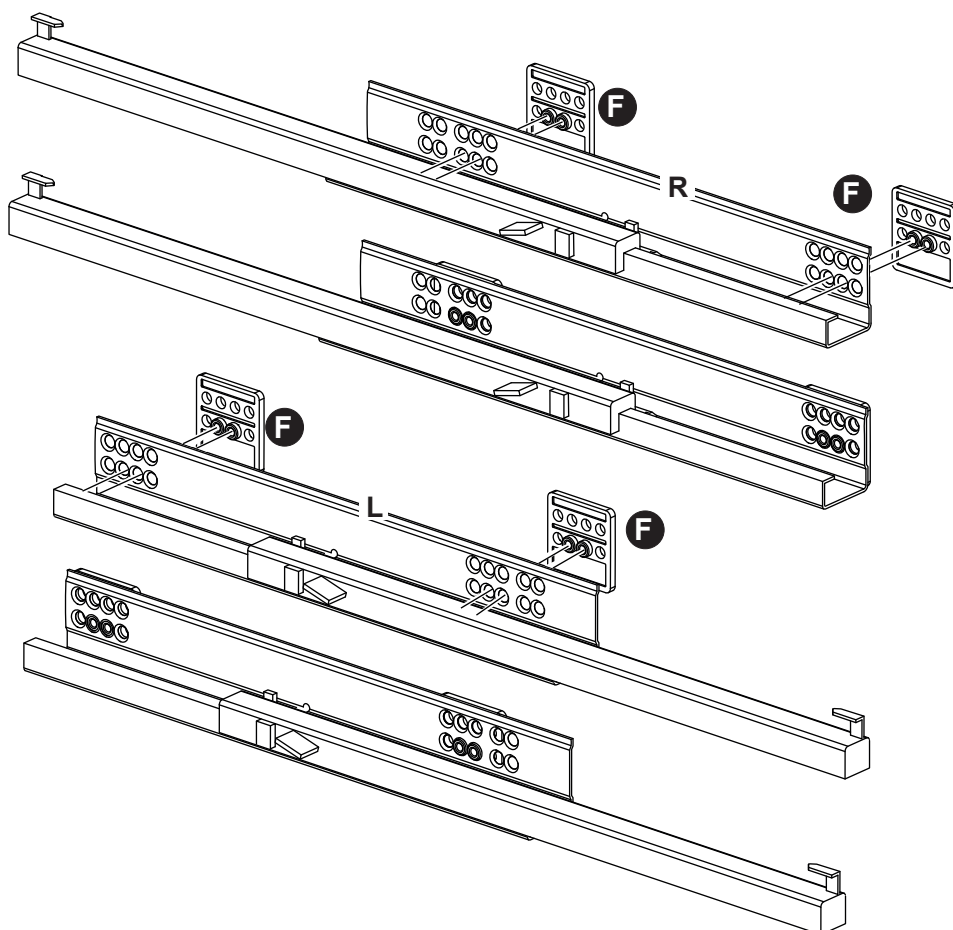
Carefully fix drawer bottom panel **4** using 4 back fittings **1** by pushing it into the groove on drawer back **2** and front panel **4**. Once fitting in place carefully secure by tighten screw.



Step 8

Fixing spacer on slides

Fix 4 rail plate **F** to slides **G** (1RH + 1LH).



Assembly Instructions

Step 9

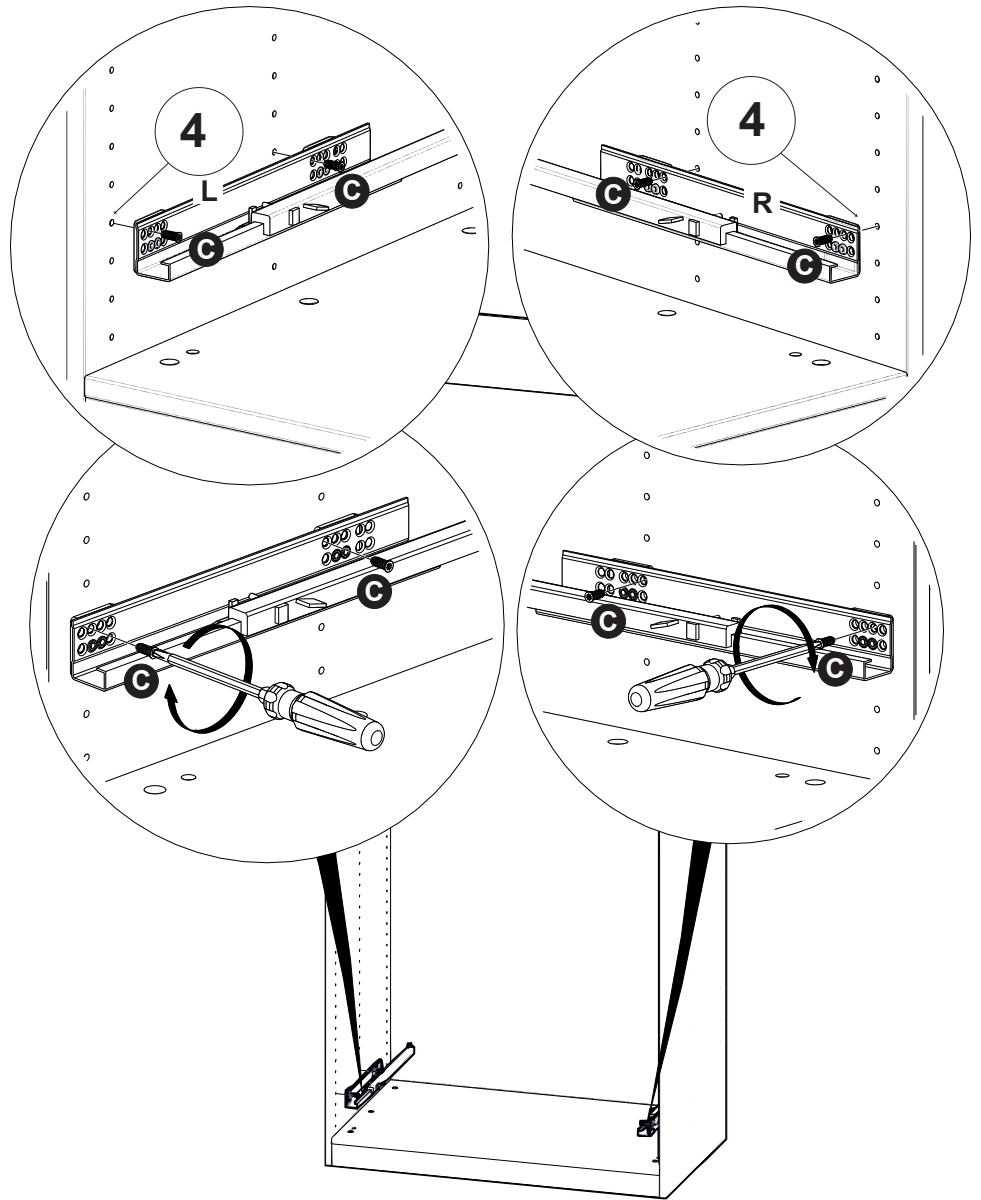
Fitting rails

Fix 1 set of drawer rails

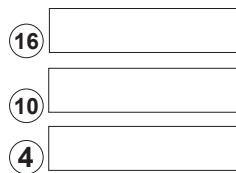
Ⓒ on side panels 1

using 4 screws Ⓒ.

The lowest position to install a drawer in a robe is 4 holes up from the base as shown. Between each drawer there needs to be 6 holes before securing another drawer rail.



DRAWER LAY OUT EXAMPLE:

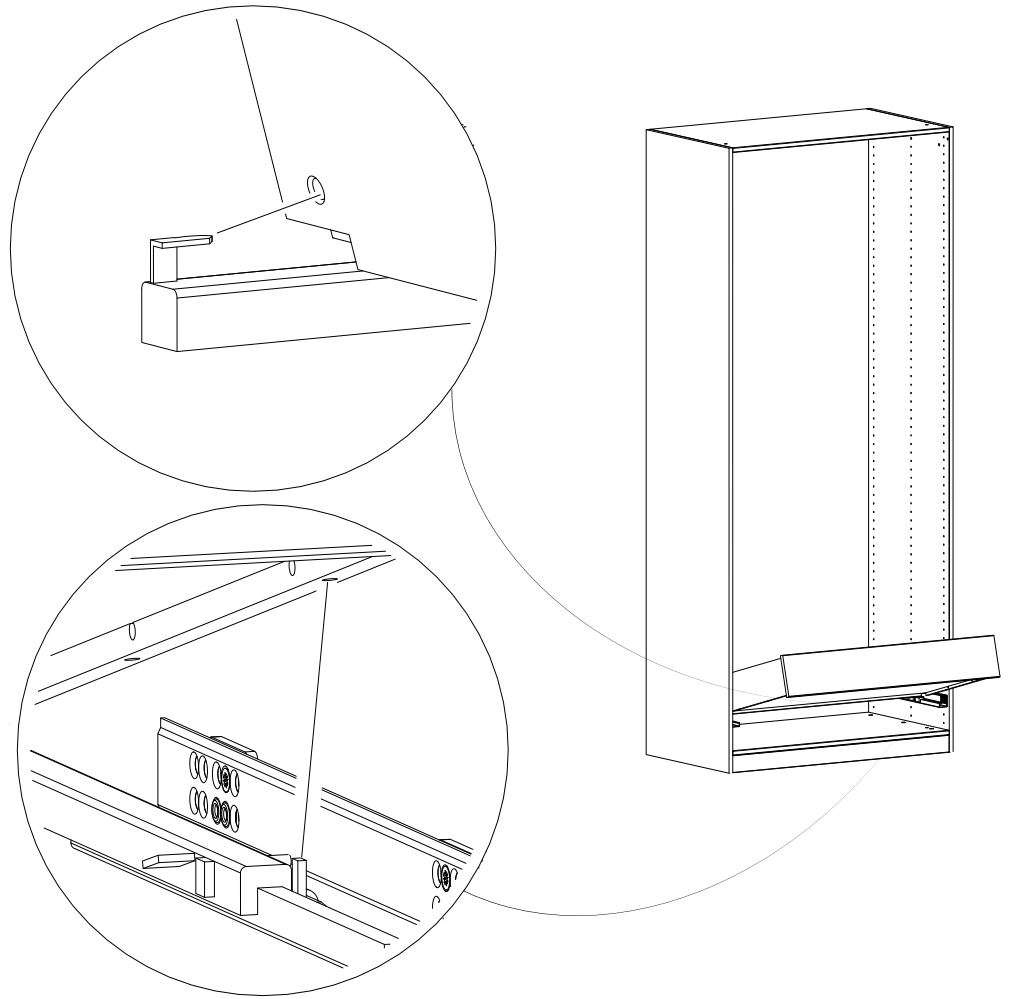


Assembly Instructions

Step 10

Fitting drawer

Slide drawer box on to rails until it locks in position. Be sure that drawer box fits correctly as shown.



Step 11

To prevent the drawer from lifting off the runner it is fitting with a locking mechanism.

To secure, you will need to pull the pin out and rotate 90degree upwards and then push pin back towards the runner

