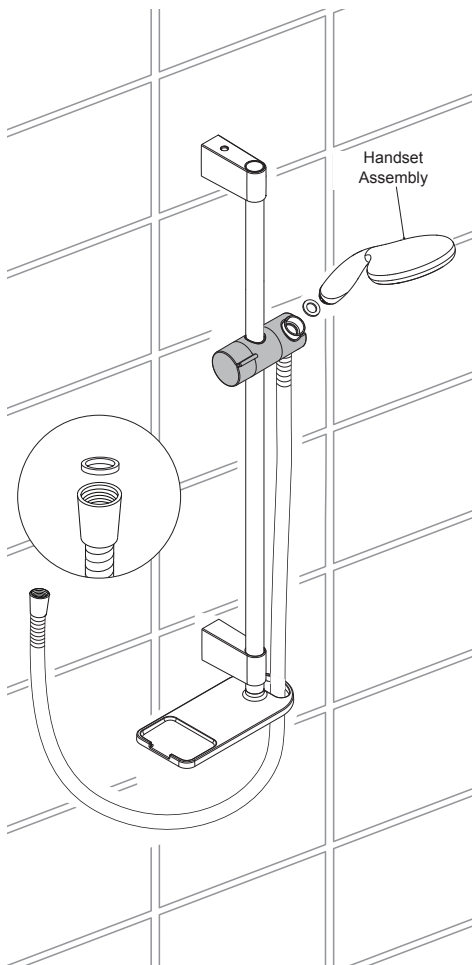


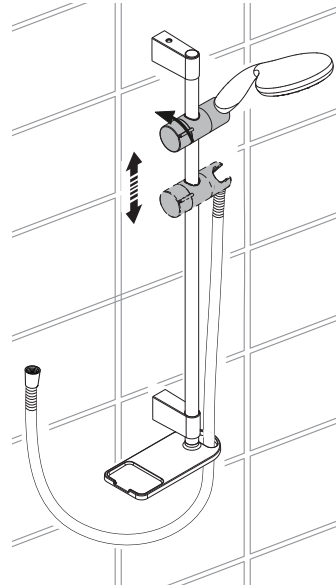
## Handset Installation



## Hose and Handset Installation

1. Fit a hose seal into the conical nut and screw onto the outlet of the shower.  
**Caution!** Do not over tighten.
2. Feed the hose through the soap dish.
3. Fit a hose seal into the conical nut and screw onto the handset assembly.  
**Caution!** Do not over tighten.
4. Place the handset assembly into the clamp bracket assembly.

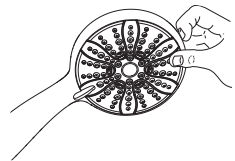
## Operation Clamp Bracket Adjustment



1. Slide the Clamp Bracket up and down on the Slide Rail until the Showerhead is positioned to your preference.

## Cleaning and User Maintenance De-scaling the Showerhead

**Important!** Keeping the showerhead clean and free from limescale will ensure that your shower and showerhead continue to perform to their maximum. A blocked showerhead can restrict the flow rate and may cause damage to your shower.

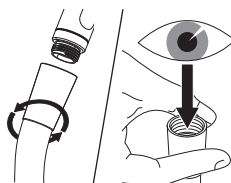


Use your thumb or a soft cloth to wipe any limescale from the nozzles

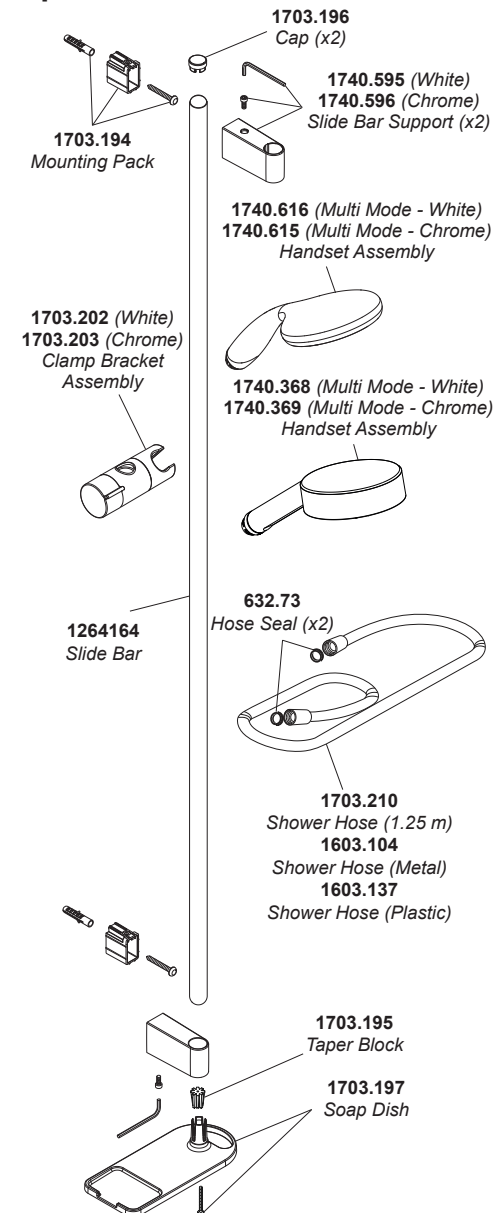
## Inspecting the Hose

**Important!** The shower hose should be inspected periodically for damage or internal collapse, internal collapse can restrict the flow rate from the showerhead and may cause damage to the shower.

1. Unscrew the hose from the showerhead and the shower outlet.
2. Inspect the hose.
3. Replace if necessary.



## Spare Parts



### To Contact Us: UK



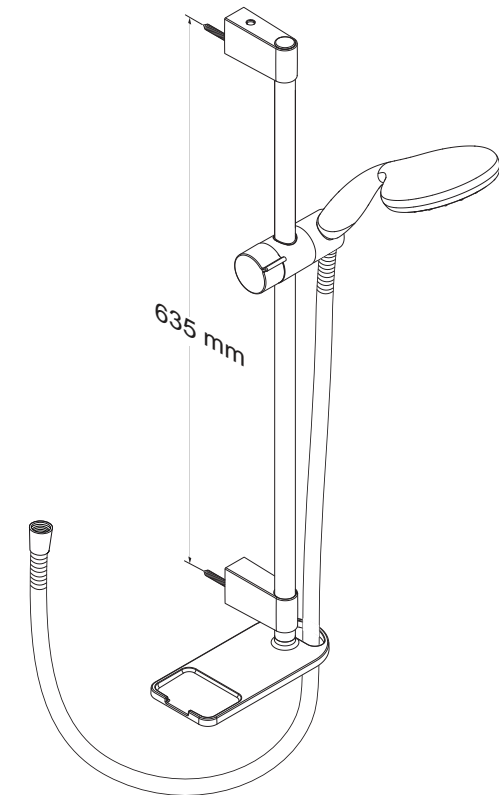
**0844 571 5000**

Calls cost 7p per minute plus your phone company's access charge



**www.mirashowers.co.uk** - Full details of the manufacturer's guarantee is available on the website.

## Mira Beat Shower Fittings Installation & User Guide



These instructions must be left with the user

Showering perfection

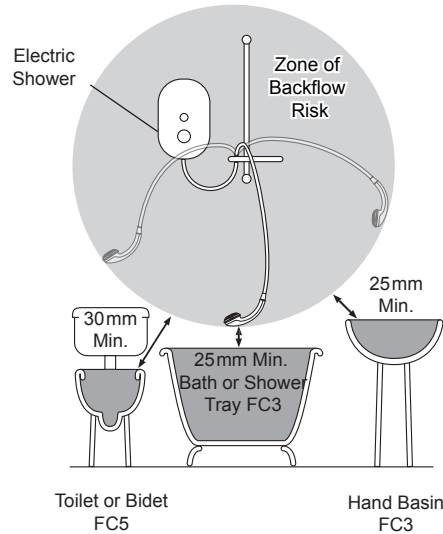
**mira**  
SHOWERS

## Specifications

Minimum maintained water pressure	0.1 bar (10 kPa)
Maximum maintained water pressure	2.0 bar (500 kPa)

## General

- Installation of the shower fittings must be carried out in accordance with these instructions by qualified, competent personnel.
- The plumbing installation must comply with all national or local water regulations and all relevant building regulations, or any particular regulation or practice specified by the local water supply company.
- Install the shower fittings over a water catchment area and position so that the water discharges down the centre line of the bath, or across the opening of a shower cubicle. The handset should direct the water away from the shower unit.
- DO NOT** fit any form of flow control in the outlet pipe work if the shower fittings are installed in conjunction with a product that requires the fittings to act as a vent (e.g. an electric shower).
- DO NOT** use excessive force when making connections.
- Avoid layouts where the shower hose will be sharply kinked. This may reduce the life of the hose.
- Special consideration should be given to the fixing arrangements when installing onto a dry lined, stud partition, shower cubicle or laminated panel wall structures. Installers may wish to obtain alternative proprietary cavity fixings, or choose other options, however, these methods of fixing are beyond the scope of this guide.
- The position of the shower fittings must provide a minimum air gap of 25 mm between the showerhead and the spill over level of any bath, shower tray or basin. There must be a minimum distance of 30mm between the showerhead and the spill over lever of any toilet, bidet or other appliance with a Fluid Category 5 backflow risk.



**Soap Dish Fitted and Shower Fittings Fixed at a Suitable Height Preventing Dirty Water Backflow**

**Note!** There will be occasions when the soap dish will not provide a suitable solution for Fluid Category 3 installations. In these instances an outlet double checkvalve must be fitted, this will increase the required supply pressure typically by 10 kPa (0.1 bar).

Double checkvalves fitted in the inlet supply to the appliance cause a pressure build up, which affects the maximum static inlet pressure for the appliance and must not be fitted. For Fluid Category 5, double checkvalves are not suitable.

## Installation

- We recommend that the slide bar is installed with the ends flush. Mark the wall fixing positions and drill two holes to suit the wall fixings.  
**Caution!** Do not drill into cables or pipes in the wall.
- Fit the wall plugs and the mounting brackets and secure with the wall screws.  
**Note!** Check for vertical alignment before tightening. The mounting brackets are slotted to aid alignment. Then fully tighten.
- Fit the clamp bracket (rotate the lever to help with the installation), the soap dish and the slide bar support to the slide bar.
- Make sure that the wall screws are flush with the inside edge of the mounting brackets.
- Fit the slide bar supports over the mounting brackets, then adjust the slide bar vertically ensuring an equal length of slide bar protrudes from the top and bottom mounting bracket (or flush with the end of the slide bar for new installations).
- Remove the slide bar assembly carefully, preventing any further movement between the slide bar and the slide bar supports.
- Tighten the two slide bar clamping screws no more than half a turn to secure the slide bar supports to the slide bar.  
**Caution!** Overtightening these screws will cause damage.
- Install the slide bar assembly onto the mounting brackets. Tighten the 2 x M4 screws with the supplied 3 mm hexagonal key.  
**Caution!** Do not force assembly on to the mounting brackets, re-align a slide bar support if required.
- Install end cap at the top and soap dish at the bottom of the slide bar.

