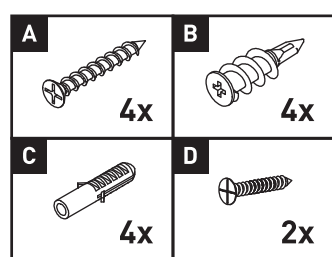
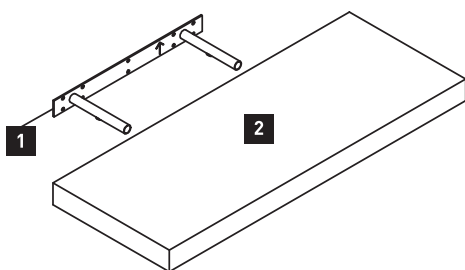


# flexi™ DECORATIVE STORAGE | SHELVING

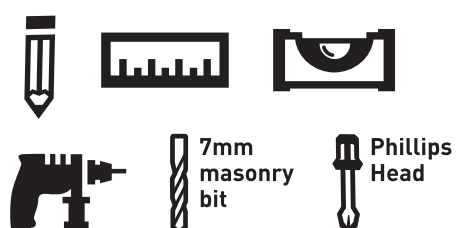
## FLOATING SHELF INSTALLATION INSTRUCTIONS

ITEM CODES:  
02164, 02165,  
02166, 02167,  
01268, 02169

### HARDWARE SUPPLIED



### TOOLS REQUIRED



### CAPACITY

Weight load capacity can vary based on the type of wall you're affixing the shelf to.

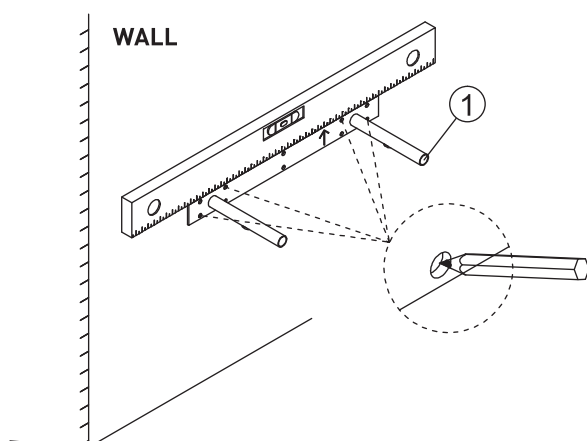
As a guideline please see below:

MAX  
**3KG\***  
PLASTERBOARD

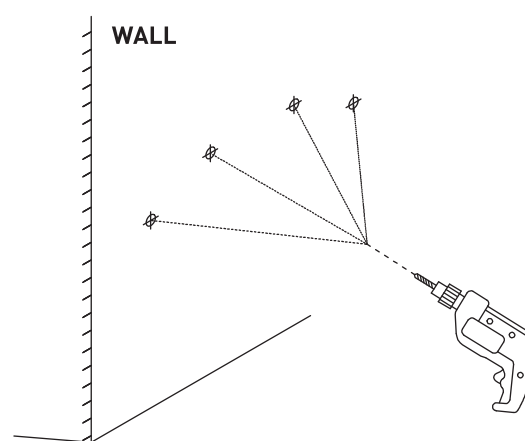
MAX  
**5KG\***  
MASONRY

\* LOAD EVENLY DISTRIBUTED

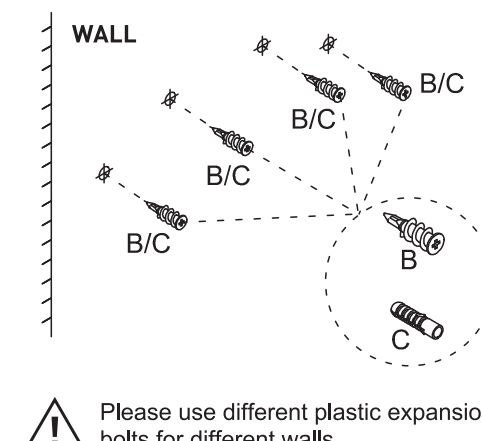
### STEP 1




### STEP 2

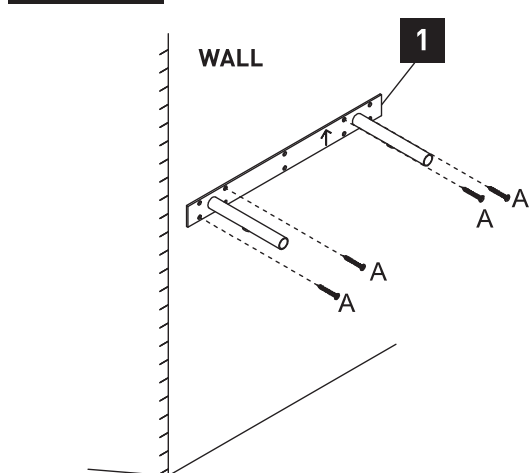


### STEP 3

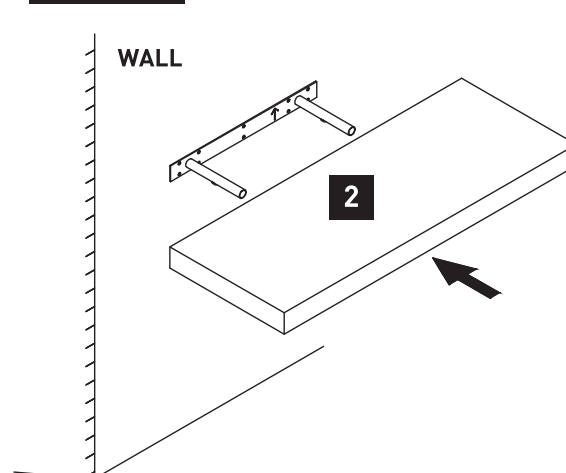


 Please use different plastic expansion bolts for different walls.

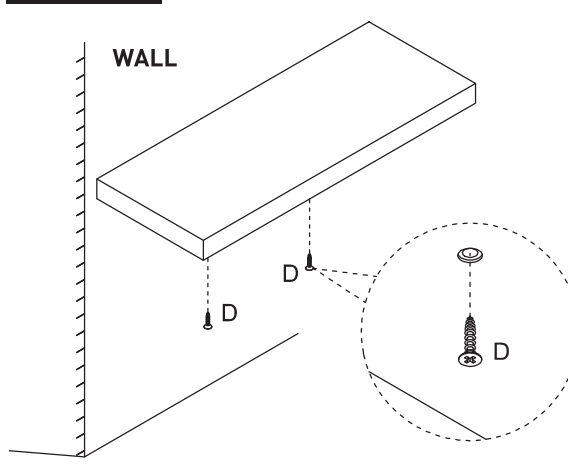
### STEP 4



### STEP 5



### STEP 6



[flexi-storage.co.uk](http://flexi-storage.co.uk)