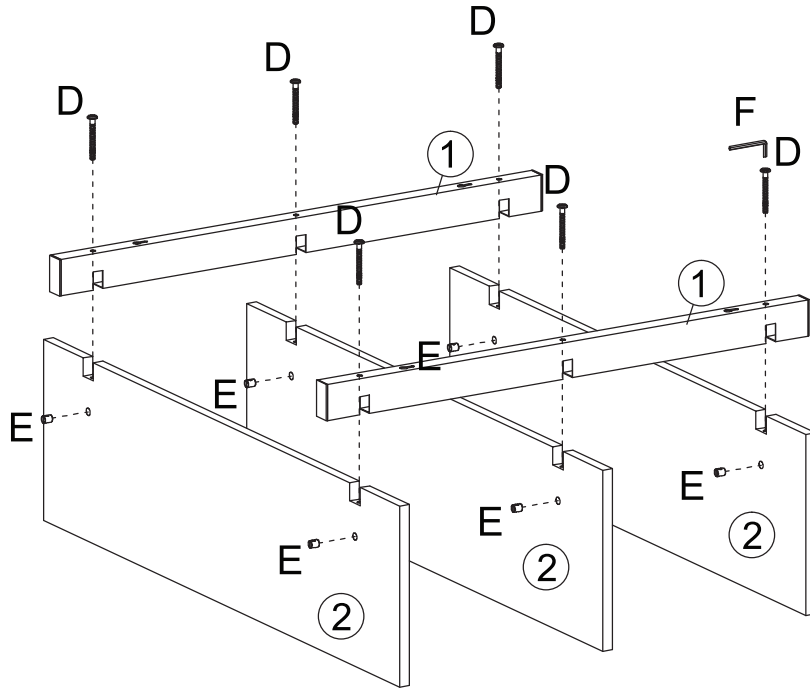
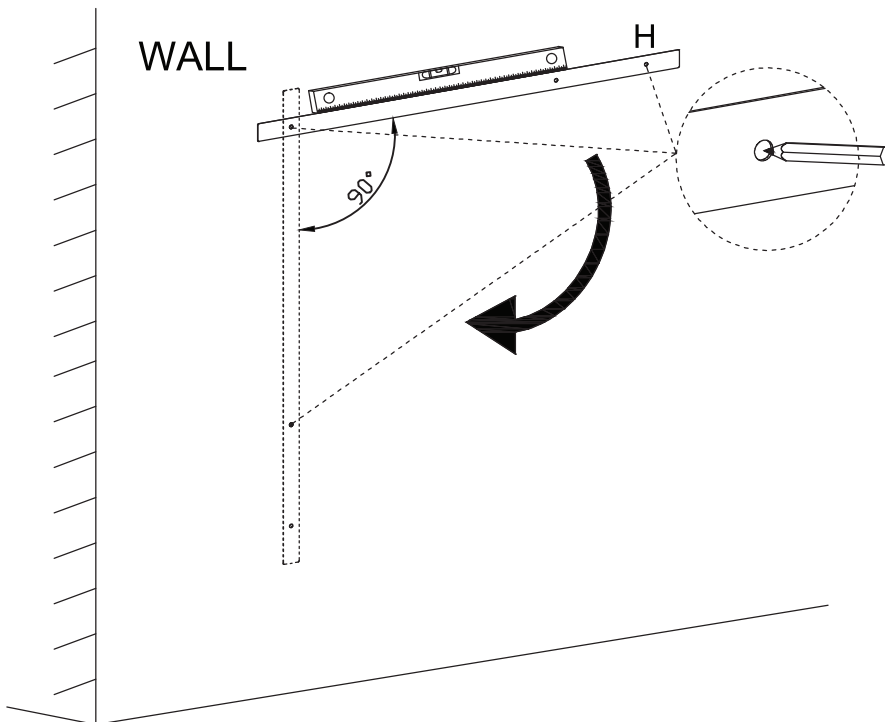


Step 1



Step 2



Parts List



A x4pcs



B x4pcs



C x4pcs



D x6pcs



E x6pcs



F x1pc

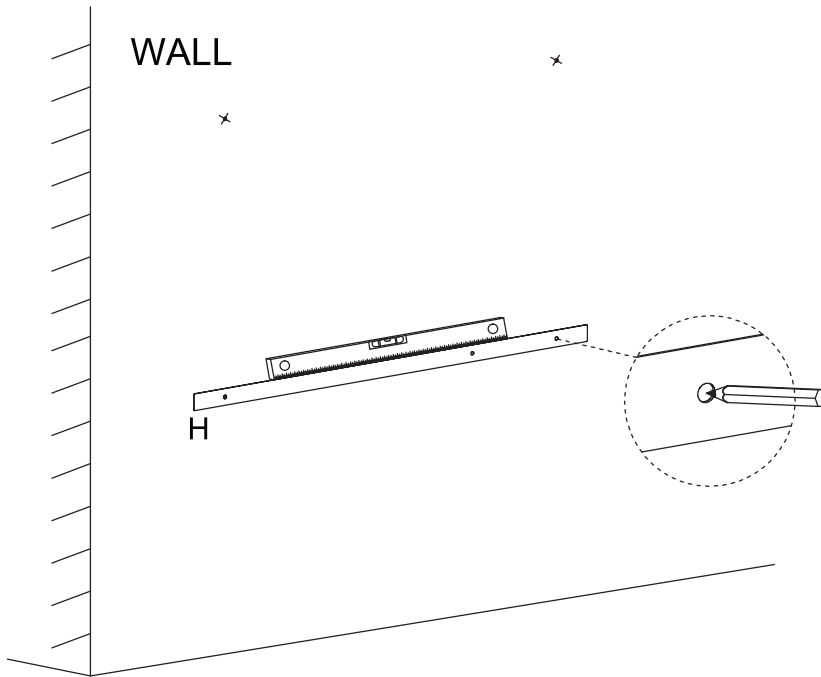


G x6pcs

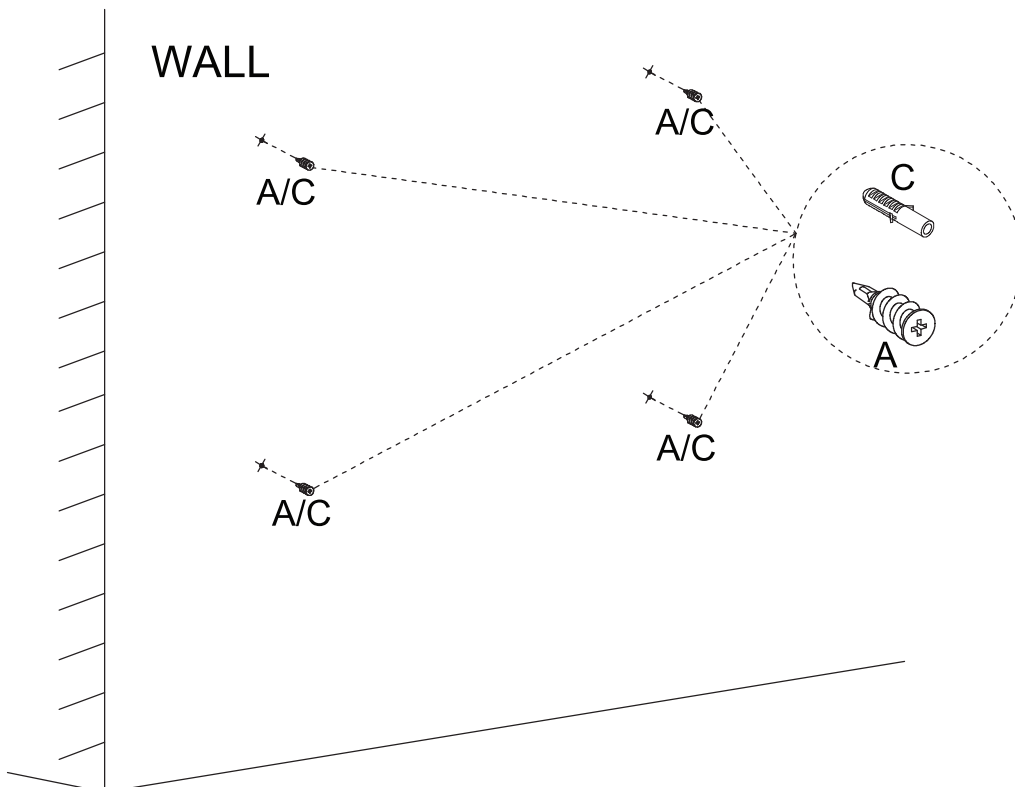


H x1pc

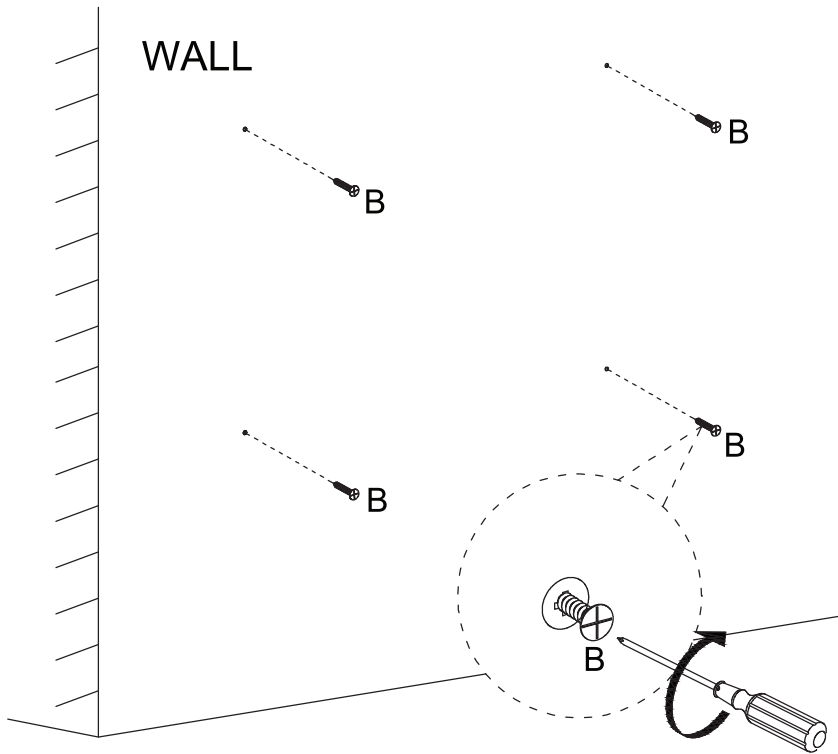
Step 3



Step 4



Step 5



Step 6

