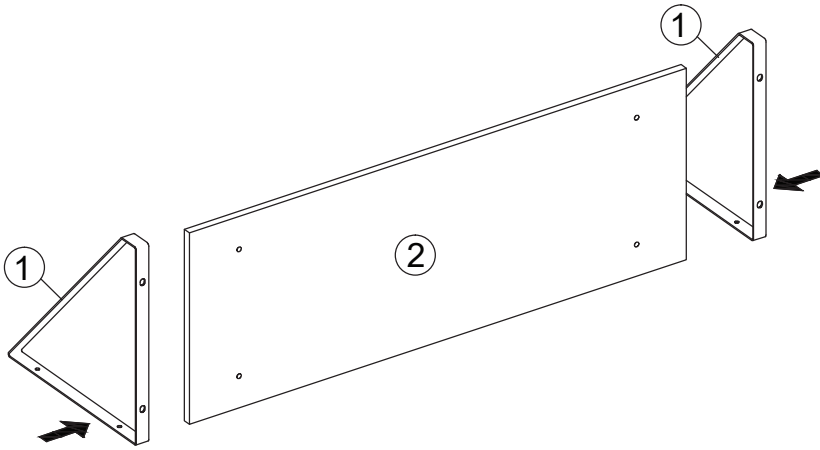


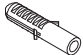

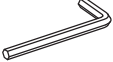
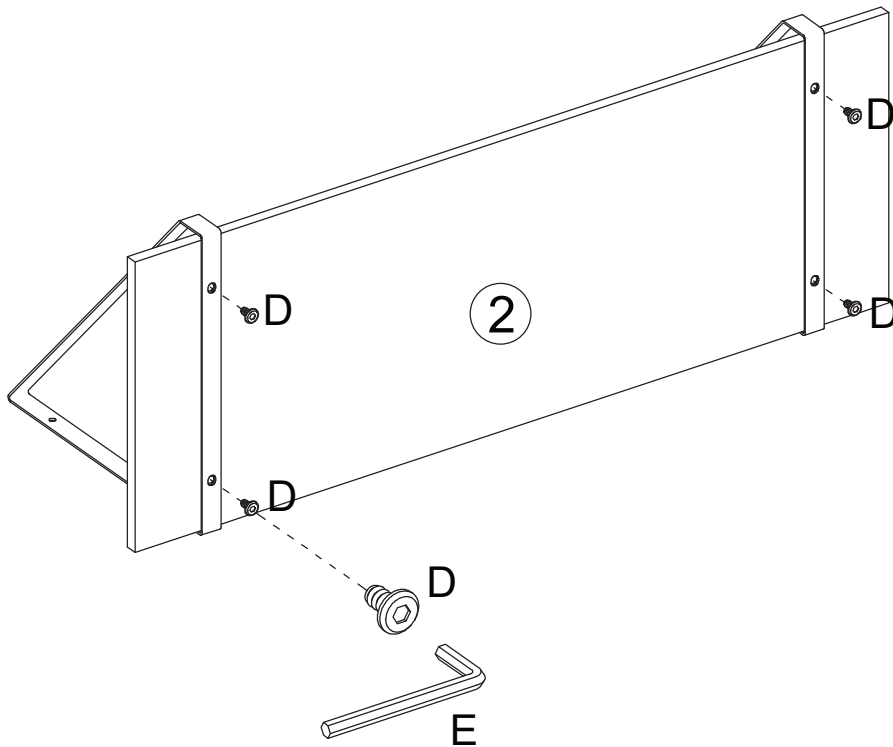


Step 1

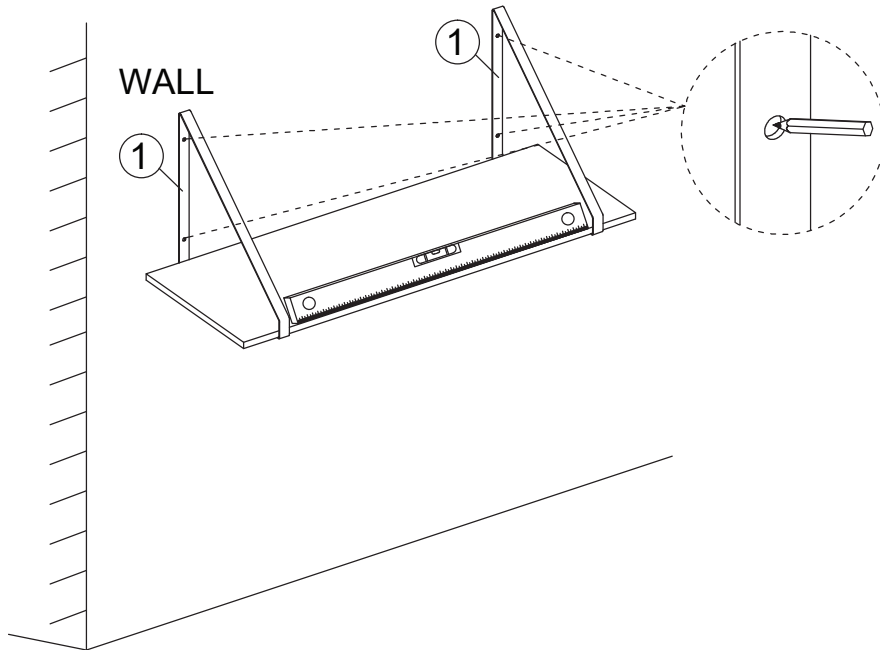


Parts List	
	A x4pcs
	B x4pcs
	C x4pcs
	D x4pcs
	E x1pcs

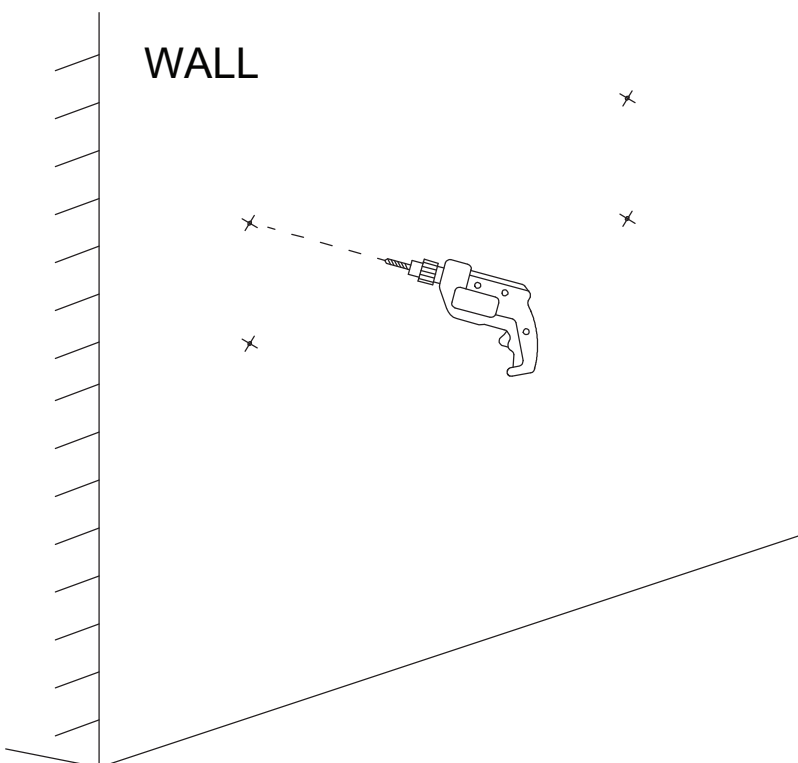
Step 2



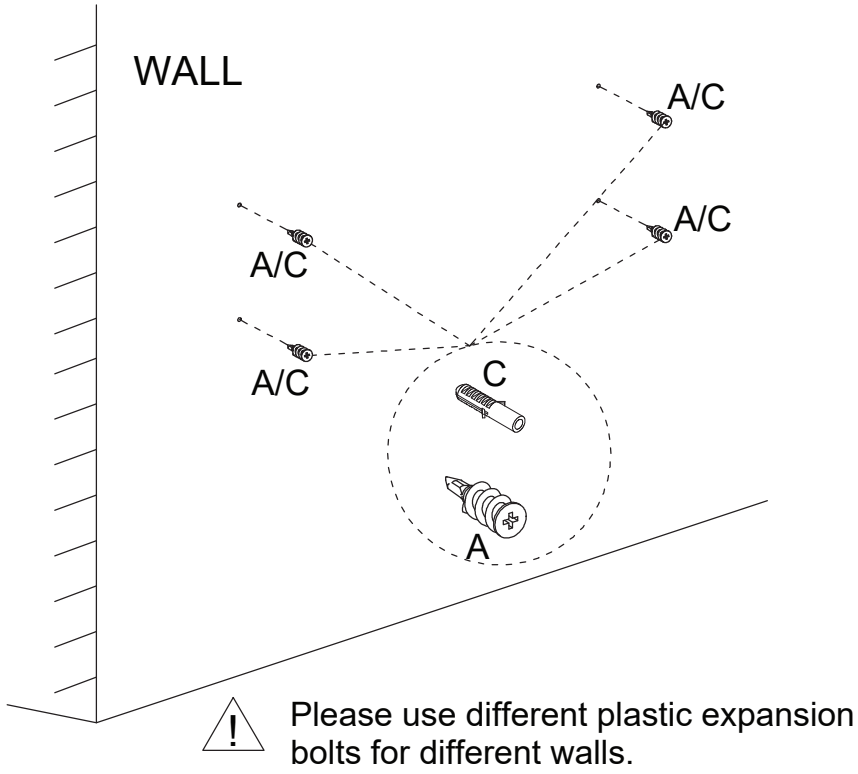
Step 3



Step 4



Step 5



Step 6

