

Delivering your Canadian Spa



www.canadianspacompany.com

Contents

- CHOOSE YOUR LOCATION
- PLANNING PERMISSION
- PRE-DELIVERY PREPARATION
- DELIVERY AND ACCESS
- POSITIONING OF YOUR SPA
- SETTING UP YOUR HOT TUB/SPA
- INSTALLATION AND ELECTRICAL PREPARATION
- SPA/HOT TUB SIZES



Delivering your Canadian Spa

CHOOSE YOUR LOCATION

When thinking about where to position your hot tub, you should consider:

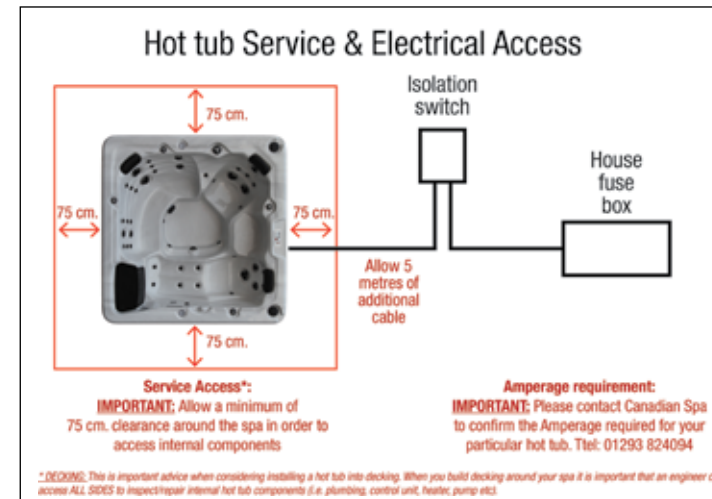
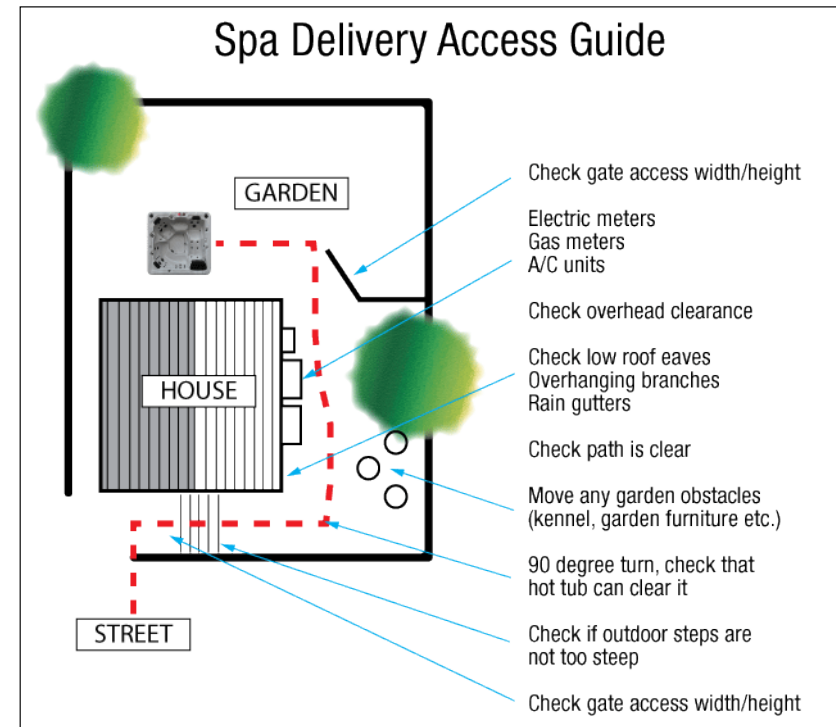
- The view from the house to the spa, and the view from the spa itself.
- Ensure quick and easy access from your house to the spa.
- Direction of drainage. Water should always drain away from the spa. Do not locate your spa in a low run-off area – rain water could flood the area and cause pump and equipment damage.
- If you are installing the spa within a deck, the entire spa base must be sitting directly on the prepared base. The lip of the shell must not support any weight.
- The minimum clearance for entry to the spa's access panel for servicing is 1 metre.
- The spa should not be located near or under overhead wires and must be kept clear of all electrical appliances.

PLANNING PERMISSION

Under normal circumstances planning permission is not required, but we recommend consulting your local planning office prior to purchase.

PRE-DELIVERY PREPARATION

- The site you select for your spa must be a flat surface that contacts the bottom of your spa completely.
- Spas weigh between 900kg and 1,400kg when full, therefore a solid support is essential. A 10-15cm thick reinforced concrete slab is ideal, but not a requirement. In most cases your spa can be placed on a properly fitted existing patio. Your spa can be mounted on a deck, but it must be of solid construction. Either way, it is recommended you install your spa at ground level to allow easy internal access.
- The base needs to be at least the same size as the footprint of your spa (for hot tub model sizes see back page of this Guide)
- The power supplied must be a dedicated RCD protected circuit. You will need to get a qualified electrician to undertake this work (check spa for Amp requirement).
- Plug and play models plug directly into a 13Amp socket.



Pre-Delivery Guide

IMPORTANT:

Things to check before we deliver you hot tub:

Step 1: Check your access before delivery:

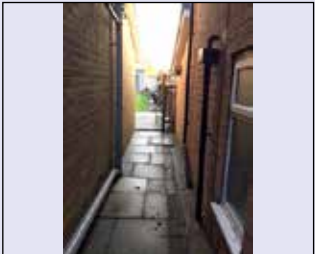


Before delivery check your spa height and width and add 5cm clearance on each side to ensure access.



Check that the hot tub can clear a 90° turn

Step 2: Send us your access photos before delivery:



After checking the width and height of your access - send us a photograph.



Send us a photograph of your front approach to your access - so that we can check for any obstacles and restrictions

Step 3: Send us your photos of completed electrics and base before delivery:



Make sure you have a qualified electrician prepare the electrics.



Ensure you have prepared a level concrete base or a properly fitted existing patio or decking.

Positioning of your spa

When selecting a site for your spa, take into account the following:

A) Local Codes:

There may be certain restrictions and/or requirements that are particular to your locality. If in doubt, check with your local council.

B) Delivery Passageway:

The spa will arrive as a unit, and cannot be disassembled. Ideally the spa will be placed on a trolley, either on its side or on its base. The unit will then be rolled into place easily crossing grass, gravel, and small terrain anomalies. For safe and non-intrusive installation, we require an opening not less than the size of your spa plus at least 40cm height for the trolley and a minimum of 5cm clearance on each side. If your access does not meet these conditions, or in the case of other obstacles (steps, fences, walls, steep hills, etc.) contact Canadian Spa Company for advice and conditions.

C) Location & Base:

A sheltered environment can result in lower operating and maintenance costs. You must allow 1 metre clearance for access to the spa's access panel for servicing.

- The site you select for your spa MUST have a level surface that fully contacts the bottom of the spa.
- Your new spa weighs between 900kg and 1,400kg when full, therefore a solid support is essential when the spa is mounted on a deck or ground level patio/floor. We recommend that you install your spa at ground level. This allows easy access to the equipment.
- A 10 to 15cm thick reinforced concrete slab is ideal, but not required. In most cases your spa can be placed on properly installed existing patios.
- The base must be at least the size of the bottom of your spa.
- Water should always drain away from the spa. DO NOT locate your spa in a low run-off area since melting snow or rain could flood the area and cause pump and equipment damage.
- DO NOT situate spa near or under overhead wires, keep clear of all electrical appliances.

Positioning a Gazebo with a spa

When installing a gazebo with a spa ensure that there is at least 1 metre around your spa to allow for the assembly of a gazebo (Fraser gazebo footprint: 300 x 300 x 295cm).

IMPORTANT: If assembling a gazebo over an existing spa make sure the spa is drained and the electrics disconnected to allow the spa to be moved if required.



A 10-15 cm concrete base is ideal preparation for a hot tub.



Examples of a garden locations with Insufficient space to install a gazebo

Setting up your hot tub/spa

A hot tub is a fully integrated unit; all you need is a flat, level spot, an electrical line and water from your garden hose. Even though it's not essential, we recommend that you have a cement pad prepared prior to delivery in order to support your hot tub.

Please note: We do not recommend placing a hot tub directly on unprepared ground.

FILLING YOUR HOT TUB

Once you have installed your spa, your next step is to fill it up with water for heating. We recommend that you fill up your spa by placing a garden hose inside the filter housing. Be sure to use cold water to fill up your spa because warm water can cause the temperature sensors to malfunction.



UNDERSTANDING YOUR FILTRATION SYSTEM

Your Canadian Spa hot tub is a self-contained unit that does not require a dedicated water connection and will automatically filtrate the water without any need for user interaction. By default the filtration cycle will run for 4 hours every 12 hours and will cause your pump to run in low speed mode to circulate the water. During this phase the water is drawn in through the filter to catch large debris and then injected with ozone gas to help remove any harmful bacteria. (see diagram opposite).

HOT TUB PLACEMENT

Your local building surveyor will give you the requirements for proper support of your hot tub on a wood deck. The average sized hot tub filled with water can weigh more than the car in your driveway. It must be supported properly to ensure a safe and reliable installation.

We recommend that you install your hot tub outside on a concrete pad. But if you do decide to install it in the home, ensure that your contractor provides proper ventilation according to your local building code. If you sink the spa into decking make sure you can remove the side panels in order to gain access to the spa's inner working parts in the event you need to replace components.

PLAN YOUR PRIVACY

Look at the direction you will be facing, from neighboring windows, doors, trees or fences. Your hot tub location is very important to optimise your soaking and provide a relaxing environment for you and your family.

CHANGE A GRATE FILTER ON A CANADIAN SPA TUB



Step 1. Remove the two screw cap covers



Step 2. Undo the two screws to release filter lid



Step 3. Open the filter lid to access the filter chamber



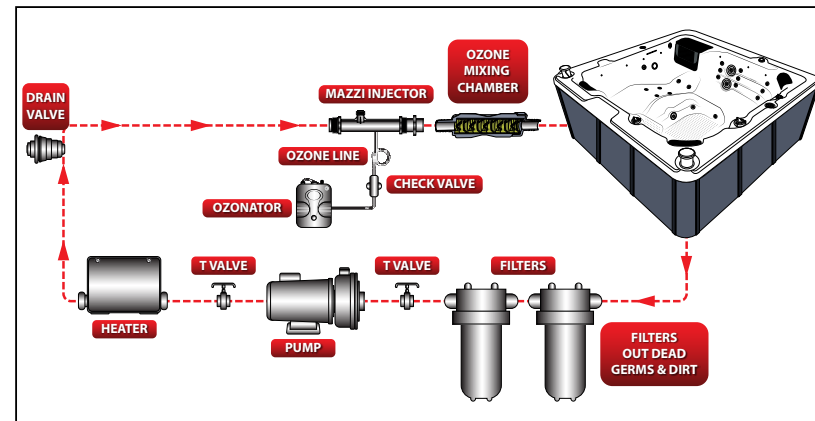
Step 4. Unscrew the two filters and replace with the new filters and rescrew into position



Swim Spa Filter: Wier style skimmer filter



Yukon Filter: Floating Wier style skimmer filter



Installation and Electrical preparation:

Have a licensed electrician run the required 230-volt power line to the spa installation site. This power line must be permanently connected (hard-wired) to the mains supply. Do not use extension cords or plug-in type connections. At the site where the spa is to be located leave 5 meters of cable and the appropriate cable gland.

PLEASE NOTE: Failure to supply the recommended power will void the Manufacturer's Warranty! The power supplied for all spas must be a brown (live) wire protected dedicated supply. To connect your spa follow these instructions: Ensure that the power supply is shut off prior to connection. To be done by qualified personnel only, and meet required electrical standards.

WIRING THE CONTROL BOX :

Your electrician should ensure that no jumper wires are removed without consulting the Service Desk. If you are using a single service install, the wire should **NOT** be removed from the pack. If you are using dual service, remove white jumper wire. Note that the "Dual Service Option" isn't twin phase, but 2 x Single service. Connect wires to terminal block. The green/yellow (Earth) wire must be connected to the grounding to reduce the risk of electric shock. To ensure the cable connections remain waterproof and secure please use a cable gland connected into the control box. Refer to diagrams below for wiring set up guide - If unsure consult Service desk.

ACCESSING YOUR CONTROL BOX

1



Remove the access panel from the front of the spa cabinet.

2



To access the power terminal connections, remove the cover from the control box.

3



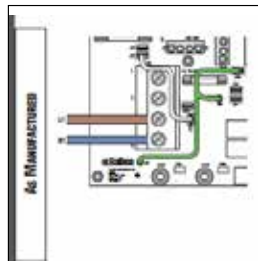
Feed the mains power supply into the box through one of the removable cable entry points. Fit the cable gland to the box and connect securely to the panel.

4



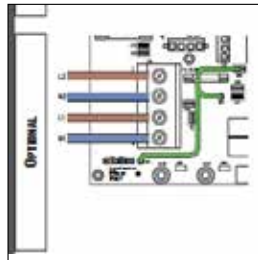
Replace the control box cover. Electrical connection is now complete.

GS Systems



Single Service, TN and TT Electrical Systems (1 x 16Amp or 1 x 32 Amp)

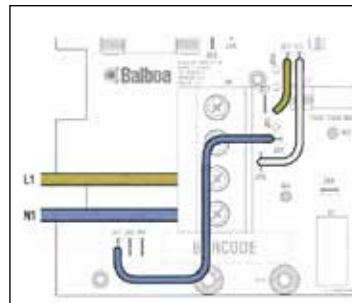
- 3 wires (1 Live + 1 Neutral + 1 earth)
- Earth must be connected to system ground terminal



Dual Service, TN and TT Electrical Systems (2 x 16Amp or 1 x 32 Amp)

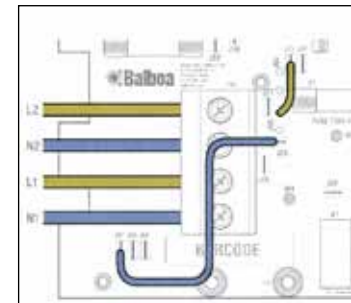
- 5 wires (2 Lives + 2 Neutrals+ 1 earth)
- Earth must be connected to system ground terminal

GL Systems



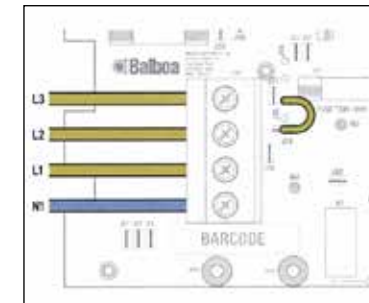
Single Service, (1 x 16 Amp or 1 x 32 Amp)

- For 1 x 32 Amp Service:
 - DIP Switch A2 can be ON
- For 1 x 16 Amp Service:
 - DIP Switch A2 can be OFF



Dual Service Option (2 x 16 Amp)

- Completely remove the white wire from J26 and J32
- DIP Switch A2 must be ON



3 - Phase Service Option

- Important - Service must include a neutral wire with a line to neutral voltage of 230VAC
- Completely remove the white wire from J26 and J32
- Move the brown wire from J23 or J32 to J28
- DIP Switch A2 must be ON

Installation and Electrical preparation:

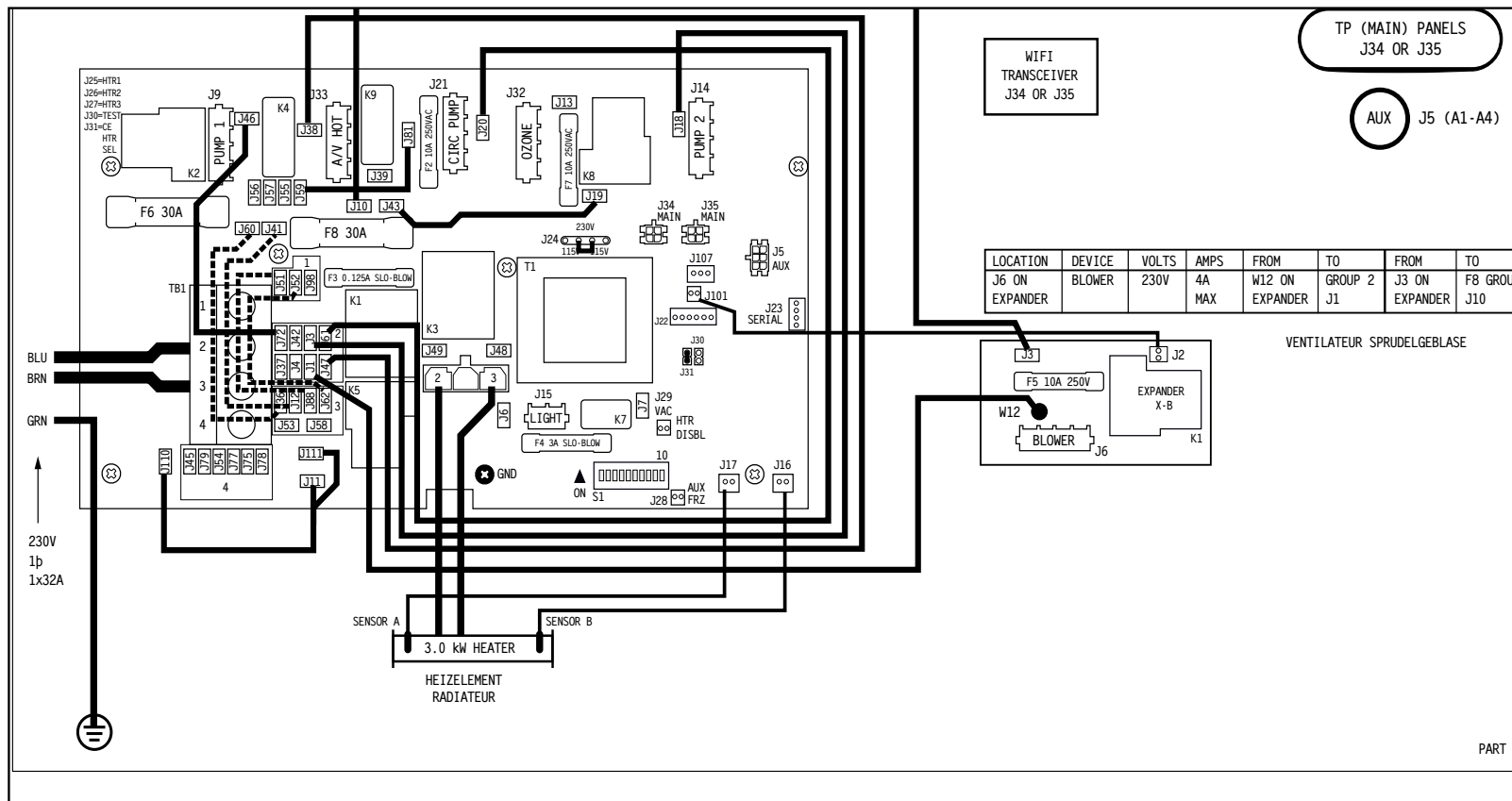
Power connections

Single Phase (A) is the normal wiring configuration for most household electrical installations (3 wires: live, neutral and earth). If however you have insufficient Amps you will need to use other connection(see below). **2 Single Phase connection (B)** is used in circumstances where the power supply is limited and where you need more Amps. **3 Phase (C)** is used in certain areas of

Europe where 3 Phase power is available and the installation warrants it.

NOTE: Canadian Spa Company requires that the electrical installation of your hot tub is carried out by a professionally licensed electrician and that all local electrical and building codes are adhered to.

BP Systems



A.) Single Phase 3 wires (live, neutral, ground)
230VAC, 50/60Hz*, 1p, 32A,
(Circuit Breaker rating = 40A max.)

For Single Phase connection (1 x 32A):

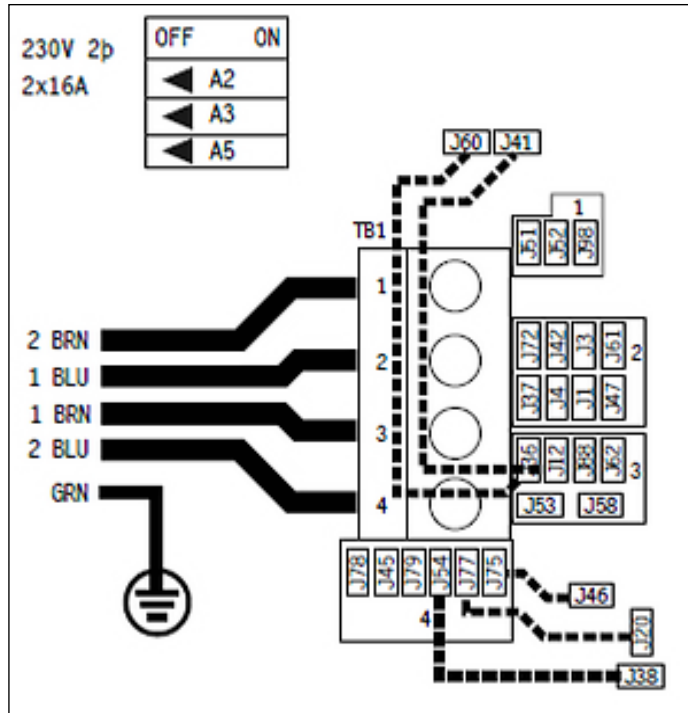
1. Put DIP switch A2 on ON and DIP switch A5 on OFF

IMPORTANT - Service must include a neutral wire, with a line to neutral voltage of 230VAC. *BP systems automatically detect 50Hz vs 60Hz.

NOTE: Excludes 'Plug & Play' Spa models.

Installation and Electrical preparation:

BP Systems - Continued



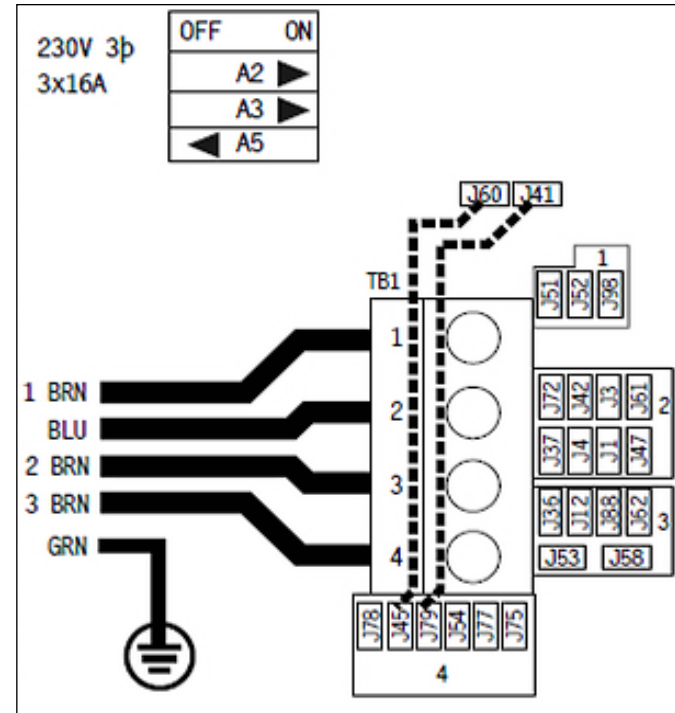
B.) 2 Single Phase (live 1, neutral 1, live 2, neutral 2, ground)]
230VAC, 50/60Hz, 2p, 16A, (Circuit Breaker rating = 20A max each phase line.)

In 2x16A Service:

Pump 2 (if any), Blower (if any), and the Heater are on one service. Everything else is on the other service.

For 2-Wire connection:

1. Completely remove jumper on J51 and J88.
2. Completely remove jumper on J52 and J62.
3. Make a connection between jumper J60 and J36
4. Make a connection between jumper J41 and J12
5. Make a connection between jumper J46 and J75
6. Make a connection between jumper J20 and J77
7. Make a connection between jumper J38 and J54
8. Put DIP switches A2, A3 and A5 on ON



C.) 3-Phase 5 wires (live 1, live 2, live 3, neutral, ground)]
400VAC, 50/60Hz*, 3p, 16A, (Circuit Breaker rating = 20A max each phase line.)

In 3x16A Service:

Pump 2 (if any) and Blower (if any) are on one service.
The Heater is on another service.
Everything else is on the remaining service.

For 3-phase connection:

1. Completely remove jumper on J51 and J88.
2. Completely remove jumper on J52 and J62.
3. Make a connection between jumper J60 and J45
4. Make a connection between jumper J41 and J79
5. Put DIP switches A2 and A3 on ON and DIP switch A5 on OFF.

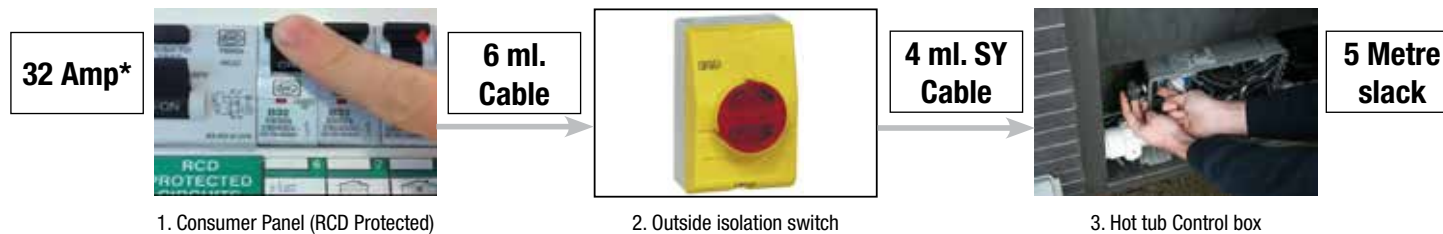
Installation and Electrical preparation:

CONNECTING HOT TUB TO RCD AND CONSUMER PANEL:

- All hot tubs must be wired with the appropriate sized wiring. Failure to do so will cause equipment damage and will not be covered by your warranty
- All hot tubs must be protected with a appropriately sized RCD (Residual Current Device) in the consumer panel. Have your electrician verify using the diagram opposite.

ADDITIONAL ITEMS NEEDED TO HELP COMPLETE ELECTRICAL CONNECTION:

1. RCD Breaker, 2. Electrical cable (check length and width for amperage and distance), 3. Cable gland. 4. Tidy clips



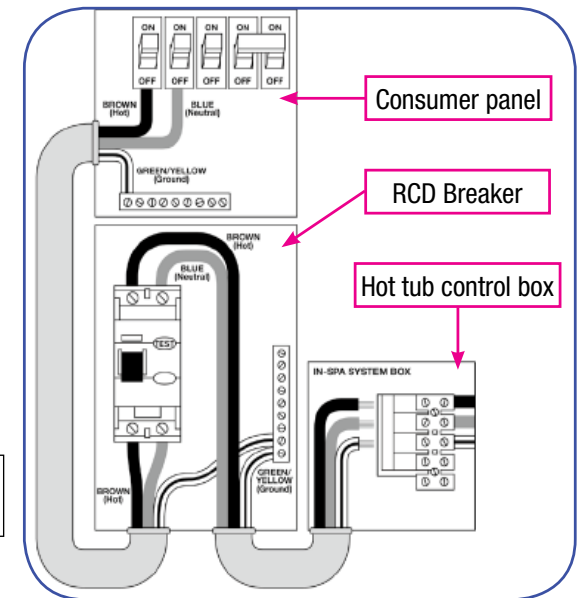
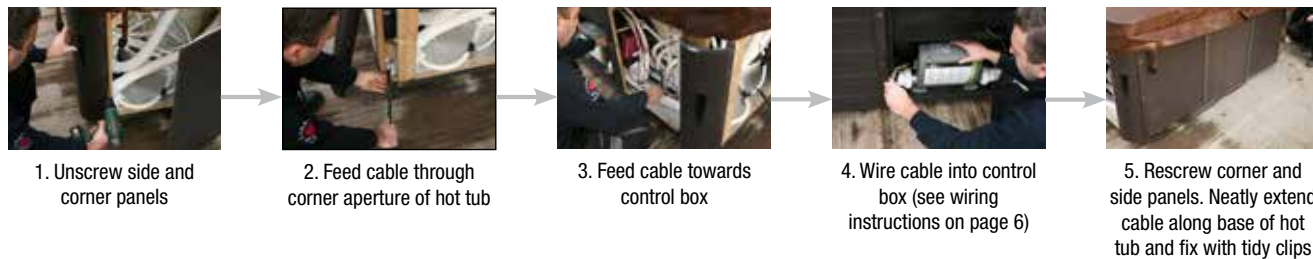
1. Consumer Panel (RCD Protected)

2. Outside isolation switch

3. Hot tub Control box

* Suggested Amperage. See back page for specific hot tub model Amperage requirements.

HOW TO FEED ELECTRICAL CABLE INTO THE HOT TUB



PLUG & PLAY HOT TUBS

Plug and play means that there is no additional electrical installation required to setup your spa. These hot tubs plug into a normal wall socket to offer a no hassle solution to install them easily and without the need of an electrician. Attached to the plug is an included RCD to protect the spa and the electrical circuit from unforeseen circumstances. Be sure that the spa is the only load on the circuit when plugged in.



Pre-Delivery Guide

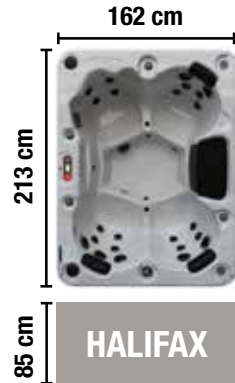
Spa/Hot tub sizes*, weights, amperages

* Note: 'Pack Size' includes: packaging, pallet, and cover. Add 40 cm. extra to pack size width to ensure access



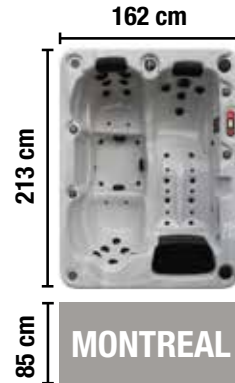
ALBERTA

Pack Size: 214x110x224 cm
Weight: 447kg
Amperage at Spa: 32A



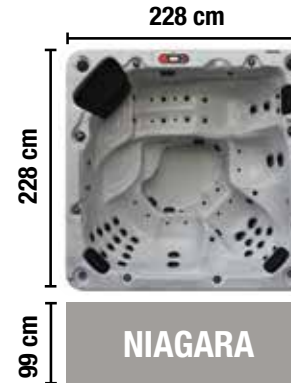
HALIFAX

Pack Size: 224x110x226 cm
Weight: 346kg
Amperage at Spa: 32A



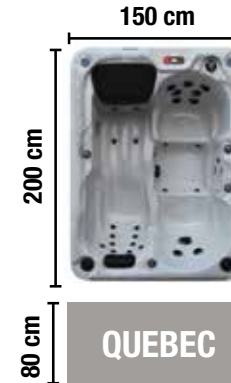
MONTREAL

Pack Size: 224x110x226 cm
Weight: 346kg
Amperage at Spa: 32A



NIAGARA

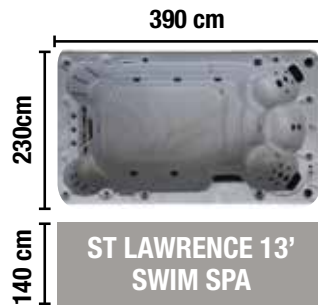
Pack Size: 232x122x239 cm
Weight: 507kg
Amperage at Spa: 32A



QUEBEC

Pack Size: 153x100x211 cm
Packaged weight: 327kg
Amperage at Spa: 13A

PLUG&PLAY!



**ST LAWRENCE 13'
SWIM SPA**

Pack Size: 399x110x191 cm
Weight: 834kg
Amperage at Spa: 32A



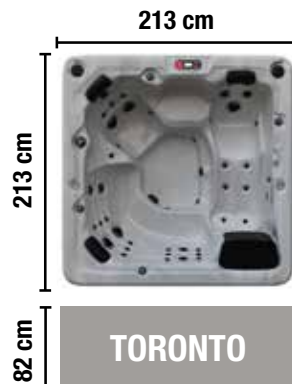
**ST LAWRENCE 16'
SWIM SPA**

Pack Size: 503x110x153 cm
Weight: 1211kg
Amperage at Spa: 45A



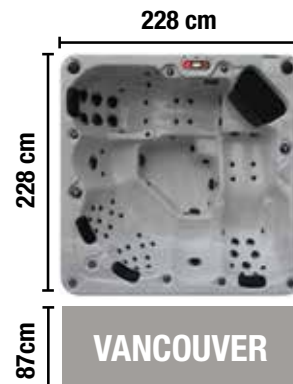
THUNDER BAY

Pack Size: 221x110 x232 cm
Weight: 447kg
Amperage at Spa: 32A



TORONTO

Pack Size: 216x107x226 cm
Weight: 427kg
Amperage at Spa: 32A



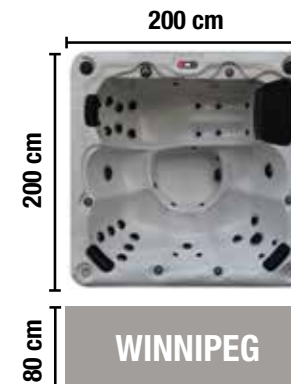
VANCOUVER

Pack Size: 232x122x239 cm
Weight: 480kg
Amperage at Spa: 32A



VICTORIA

Pack Size: 221x110x232 cm
Weight: 447kg
Amperage at Spa: 32A



WINNIPEG

Pack Size: 200x105x211 cm
Weight: 356kg
Amperage at Spa: 13A

PLUG&PLAY!



YUKON

Pack Size: 102x100x226 cm
Weight: 177kg
Amperage at Spa: 13A

PLUG&PLAY!



Hot tub/Spa Pre-Delivery Guide

UK Office:

Canadian Spa Company Ltd. Canada House,
Salbrook Road, Salfords, Redhill, Surrey, RH1 5GL
Tel: (+44) 01293 824094
Fax: (+44) 01293 824750
Email: customers@canadianspacompany.com

North America Office

Canadian Spa Company
2-3620B Laird Rd
Mississauga, ON L5L 6A9
T:1-877-347-7727
T:1-905-820-7727
Fax: +1 (905) 825 2513
www.canadianspacompany.com

25/01/16

www.canadianspacompany.com