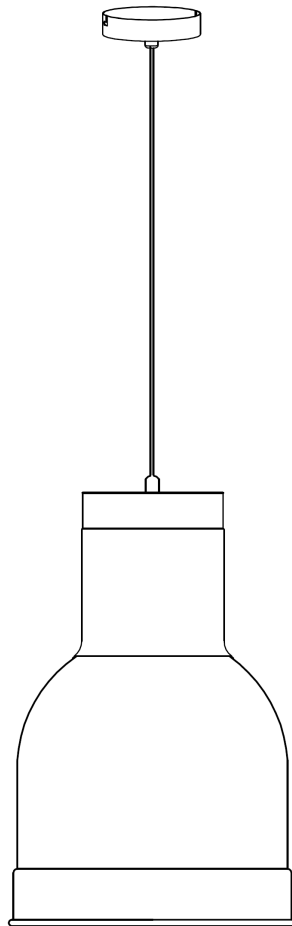


BARHAM 1 LIGHT PENDANT

471073

Installation and User Instructions - Please Keep for Future Reference



Important - Please read these instructions fully before using
If you need help please call our **Customer Services** on 0345 077 8888

Contents

Section	Page
Parts and Component list	2
Safety Information	3
Maintenance	3
Installation	4

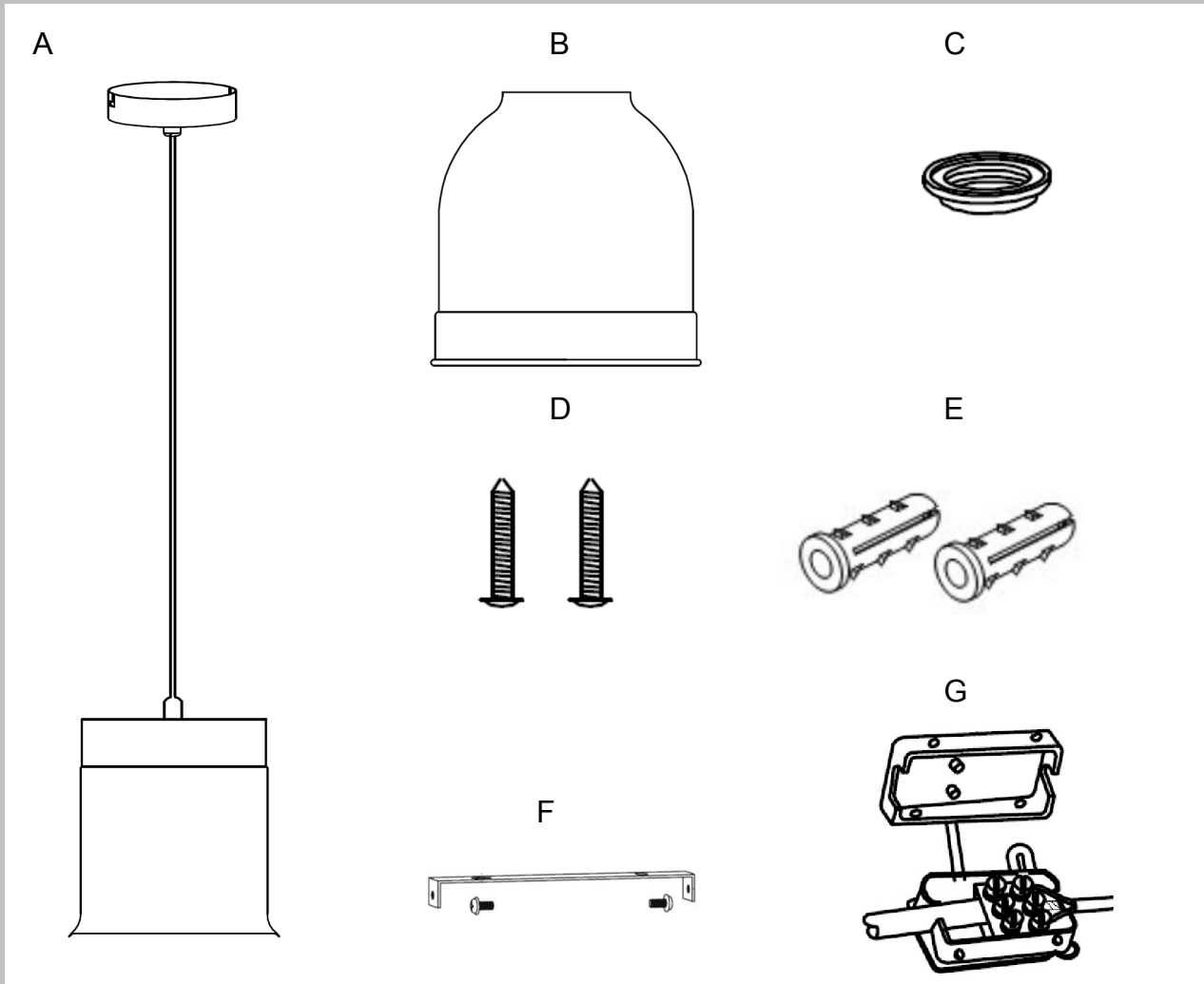
PRODUCED FOR HOMEBASE LTD

AVEBURY, MILTON KEYNES, MK9 2NW

TEL 0345 0778888

Homebase.co.uk

Parts and Components Listing



- A: Light Fitting x 1
- B: Metal shade x 1
- C: Shade ring x 1
- D: Fixing screws x 2
- E: Ceiling plugs x 2
- F: Fixing Bracket with side screws x 1 (Pre-fitted)
- G: Connector Block x 1 (Enclosed)

Safety Information

IMPORTANT - Please read these instructions fully before installation and keep for future reference

For your safety, this product must be installed in accordance with local building Regulations. If in any doubt, or where required by law, consult a competent person who is registered with an electrical self-certification scheme. Further information is available online or from your local authority

IMPORTANT - This product has been designed for non professional, domestic use only.

IMPORTANT - Carefully unpack and examine the product for any damage. If you think there is a defect, **do not** use the product and contact our customer services on **0345 077 8888**.

IMPORTANT - Dispose of all packaging correctly and responsibly and in accordance with all local laws and regulations. Never leave packaging components within reach of children as they can be a source of danger.

IMPORTANT - Electrical connections must be carried out by a suitably qualified person and in accordance with all relevant local building and installation regulations. If in doubt consult a qualified electrician.

IMPORTANT - This fitting must be permanently wired into electricity supply.

IMPORTANT - Before inserting or replacing bulb(s) ensure the power is switched off and the bulb(s) have cooled down.

WARNING - Always shut off power to the circuit before starting installation work.

WARNING - This is a Class 1 product and does requires an earth connection. This fitting must be permanently wired into the electric system.

WARNING - The luminaire should be positioned so that prolonged staring into the luminaire at a distance closer than 0.2m is not expected.

WARNING - Do not modify or alter any product before or after installation. This may render the product un-safe.

WARNING - Accessible parts become hot during use, young children **must** be kept away.

WARNING - This product is not intended for use by persons (including children) with reduced physical, sensory and mental capabilities, or lack of experience and knowledge, unless they have been given supervision or instruction concerning use of the product by persons responsible for their safety.

WARNING - Children should be supervised to ensure that they do not play with the product.

CAUTION - Ensure the power is switched off before cleaning or carrying out any maintenance.



Maintenance

CAUTION! Always disconnect power supply when servicing or cleaning.

Cleaning

- Use a clean dry soft or slightly damp cloth.
- Do not use abrasive cloths or polishes as this may cause damage to the product.

Changing the bulb

IMPORTANT! Ensure that the bulb has cooled down before replacing.

1. Ensure that the power supply has been disconnected.

Additional information

-This product contains natural wood, colour variations on the finish are normal.

Installation

IMPORTANT ! - Electrical connections must be carried out by a suitably qualified person and in accordance with all relevant local building and installation regulations. If in doubt consult a qualified electrician.

Installation

1. Remove the fixing bracket from ceiling plate, using Bracket as template mark two holes on the ceiling. Drill suitable holes and insert ceiling plugs.
2. Using the fixing screws provided fix the bracket to the ceiling joist.
3. Connect the supply wires to the terminal block, opposite the corresponding wires from the fitting (FIG.1).
(Ensure that connections are tight and no loose strands of wire are left out of the connector block). This image is for general guidance only and your supply wiring may be different.
4. Place the fitting over the bracket and secure in place using the side screws.
5. Place the metal shade over the lamp holder.
6. Screw the shade ring onto lamp holder and secure shade in place.
7. Screw the bulb (Not Supplied) into the lamp holder. Make sure you do not exceed maximum wattage and bulb type as stated on the lamp holder.

Switch the mains supply on and test the fitting.

REPLACEMENT LAMP

Maximum wattage – See Lamp holder

Light bulb shape - See Lamp holder

We recommend suitable low energy lamps only, see below for example wattages :

- 5 watt = 25W
- 7 watt = 35W
- 9 watt = 45W
- 11 watt = 60W
- 15 watt = 75W
- 20 watt = 100W

Dimming of the luminaire is possible when use dimmable CFL/LED lamps.

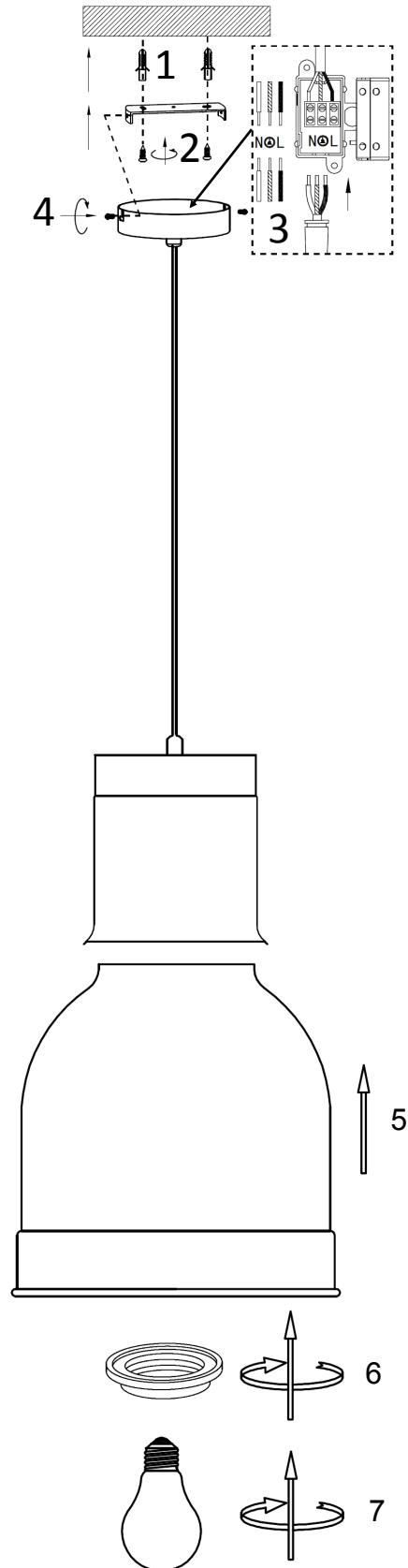


FIG.1

