



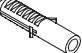

# FLOATING PHOTO SHELF

**MAX 5KG\***  
 PLASTERBOARD

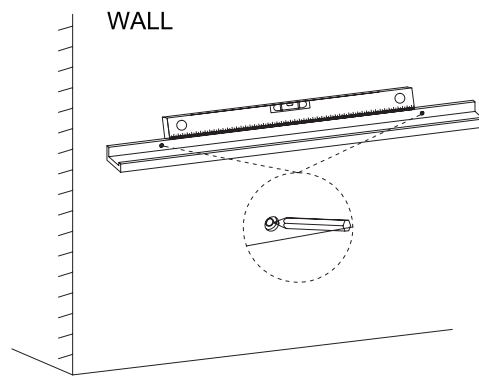
**MAX 5KG\***  
 MASONRY

**\*LOAD EVENLY DISTRIBUTED**

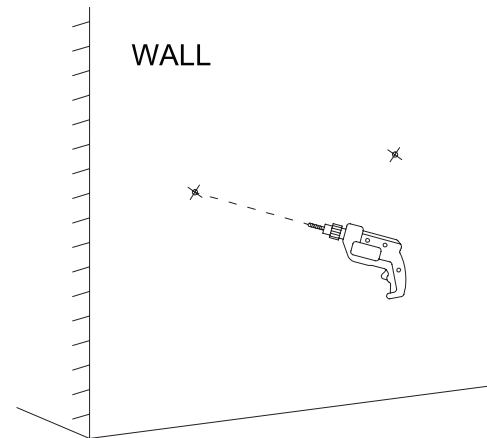
**Parts List**

-  **A x2pcs**
-  **B x2pcs**
-  **C x2pcs**
-  **D x2pcs**

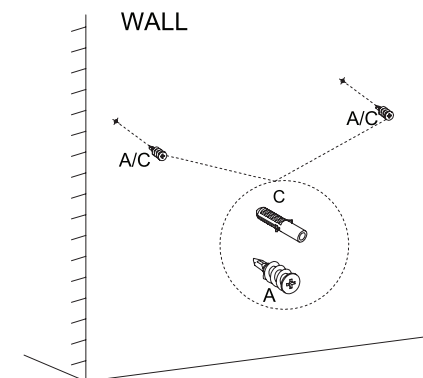
**Step 1**



**Step 2**

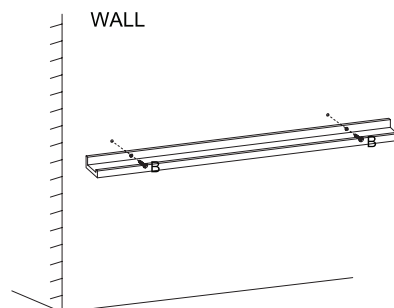


**Step 3**



⚠ Please use different plastic expansion bolts for different walls.

**Step 4**



**Step 5**

