



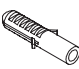

FLOATING PHOTO SHELF

**MAX
 5KG***
 PLASTERBOARD

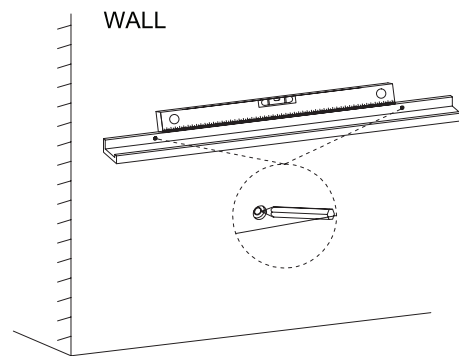
**MAX
 5KG***
 MASONRY

*LOAD EVENLY DISTRIBUTED

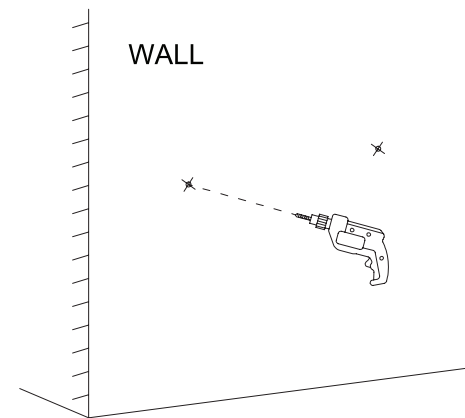
Parts List

-  **A x2pcs**
-  **B x2pcs**
-  **C x2pcs**
-  **D x2pcs**

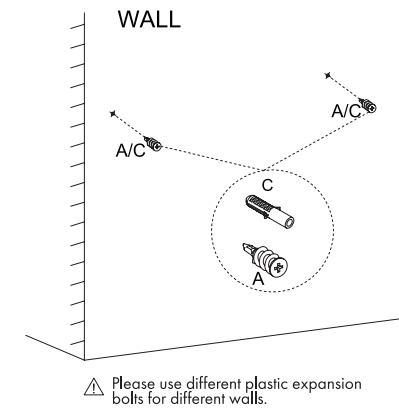
Step 1



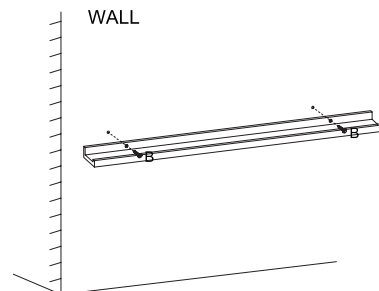
Step 2



Step 3



Step 4



Step 5

