

FLOATING PHOTO SHELF

MAX 5KG*
PLASTERBOARD

MAX 10KG*
MASONRY

*LOAD EVENLY DISTRIBUTED

Parts List



A x2pcs



B x2pcs

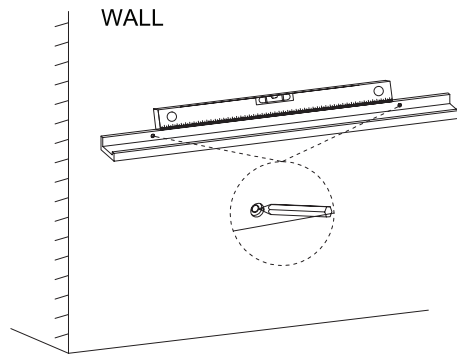


C x2pcs

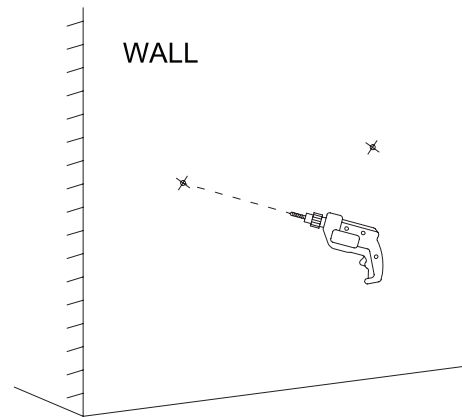


D x2pcs

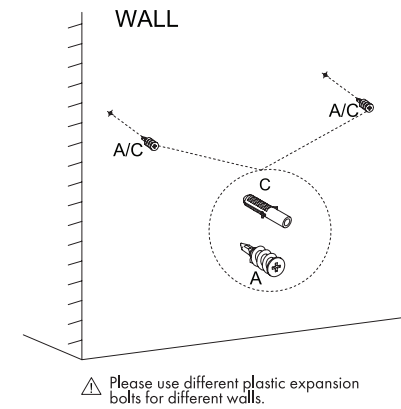
Step 1



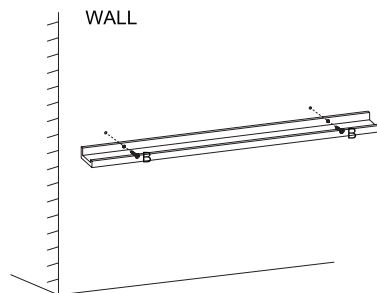
Step 2



Step 3



Step 4



Step 5

