

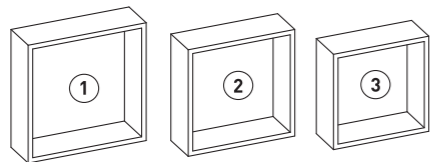
flexi™
DECORATIVE STORAGE SHELVING

WALL CUBES

ITEM CODE: 02184 / 02185 / 02186



PARTS LIST



A



6x

B



6x

C

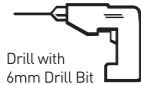


6x

TOOLS REQUIRED



Tape Measure



Drill with 6mm Drill Bit



Spirit Level

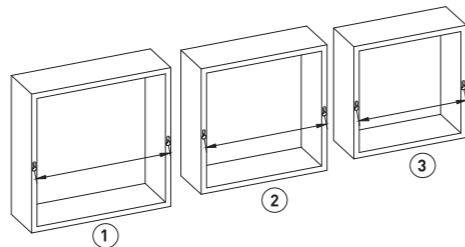


#2 Phillips Head Screw Driver



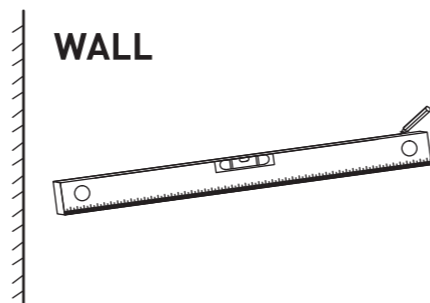
Pencil

STEP 1

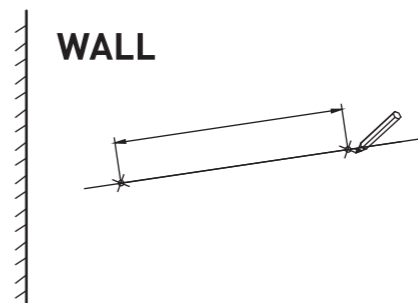


Please measure actual distance between holes for wall mounting.

STEP 2

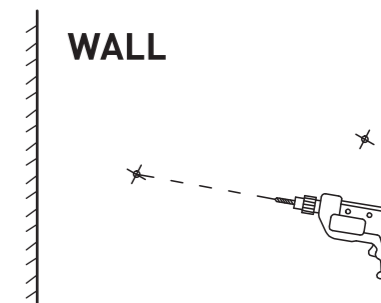


STEP 3

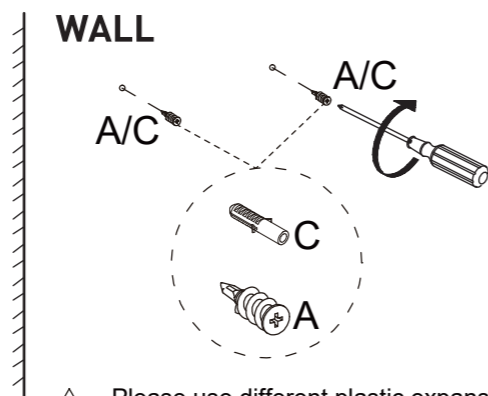


Please perforate holes on the wall based on actual distance between holes for wall mounting.

STEP 4

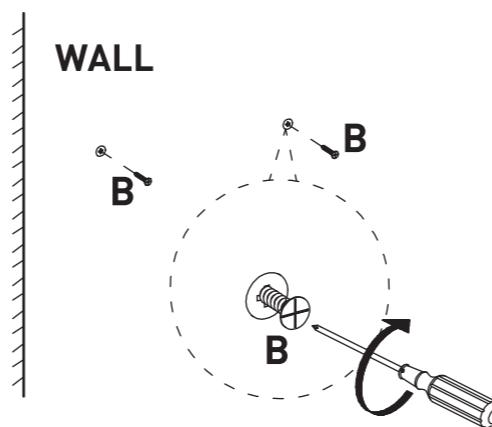


STEP 5



Please use different plastic expansion bolts for different walls.

STEP 6



STEP 7

